



MULTI-PORT VALVE USER MANUAL

CMP# 27515-154-000

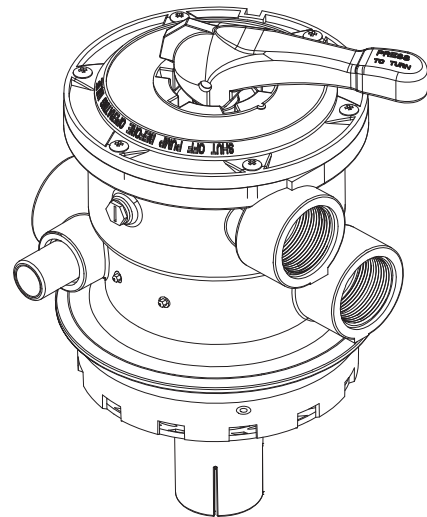


Important Notice: This manual contains important information about the installation, operation and safety procedures of the product. Read and follow all instructions before the installation or servicing. Failure to follow safety warnings and instructions can result in severe injury, death, or property damage.

PRODUCT INFORMATION

This multi-port valve is for replacement of the Hayward SP0714T Vari-Flo XL Valve* and it is used for Hayward Sand Filters such as S166T, S180T, S210T, S220T and S244T. It features an easy-to-use lever action handle that lets you dial up to seven valve/filter functions: filter, backwash, waste, rinse, closed, winterize or recirculate. The ports are 1.5 FPT fittings.

*Hayward is a registered trademark of Hayward Industries



Valve Setting	Water Flow Path; Setting Function
FILTER	<i>PUMP ► TOP ► THROUGH FILTER ► BOTTOM ► POOL RETURN</i> For normal filter action and vacuuming pool through filter.
BACKWASH	<i>PUMP ► BOTTOM ► THROUGH FILTER ► TOP ► WASTE</i> For cleaning filter by reversing flow.
RINSE	<i>PUMP ► TOP ► THROUGH FILTER ► BOTTOM ► WASTE</i> For start-up cleaning and resetting filter bed after backwashing.
WASTE	<i>PUMP ► WASTE</i> For vacuuming directly to waste, lowering pool level or draining pool.
CLOSED	<i>NO FLOW. DO NOT USE WHEN PUMP IS IN OPERATION</i> For shutting off all flow to filter and pool.
RECIRCULATE	<i>PUMP ► POOL RETURN</i> For circulating water without going through filter.
WINTER	<i>DRAIN WATER FROM VALVE</i> For winterizing.



CAUTION: TURN PUMP OFF BEFORE SERVICING OR CHANGING VALVE POSITIONS

INSTALLATION & SERVICE INSTRUCTIONS



- Confirm correct valve is being used for your filter type and model.
- To install valve to filter, clamp valve on top of filter and connect pump, return, and waste lines by following the markings of the ports. Use Teflon pipe tape for connect pipe fittings. **DO NOT OVER TIGHTEN PIPE FITTINGS.**
- **VALVE TOP IS UNDER SPRING LOAD.** To open top half and service valve, evenly and alternately loosen cover screws.
- To disassemble valve and replace parts, set handle in the position between any two settings. Tap out handle pin and remove cover screws.
- To re-assemble the top half, ensure bottom gasket and diverter sealing surface are clean. Place diverter on a smooth and firm surface. Assemble parts on shaft by following Figure A. Make sure the pointer on handle and the arrow on diverter point to same direction. Press down on the cover using clamps to depress the heavy-duty spring and secure the valve handle with the pin.
- To re-assemble the top half to valve bottom, tighten cover screws evenly and alternately. **DO NOT OVERTIGHTEN THE SCREWS, OR USE MOTORIZED SCREWDRIVERS.**
- **WINTERIZATION:** To winterize, drain the pump and filter per manufacturer's instructions. Press down on the valve handle and rotate to the WINTER position.



IF O-RINGS REQUIRE LUBRICATION, USE ONLY SILICONE TYPE LUBRICANTS

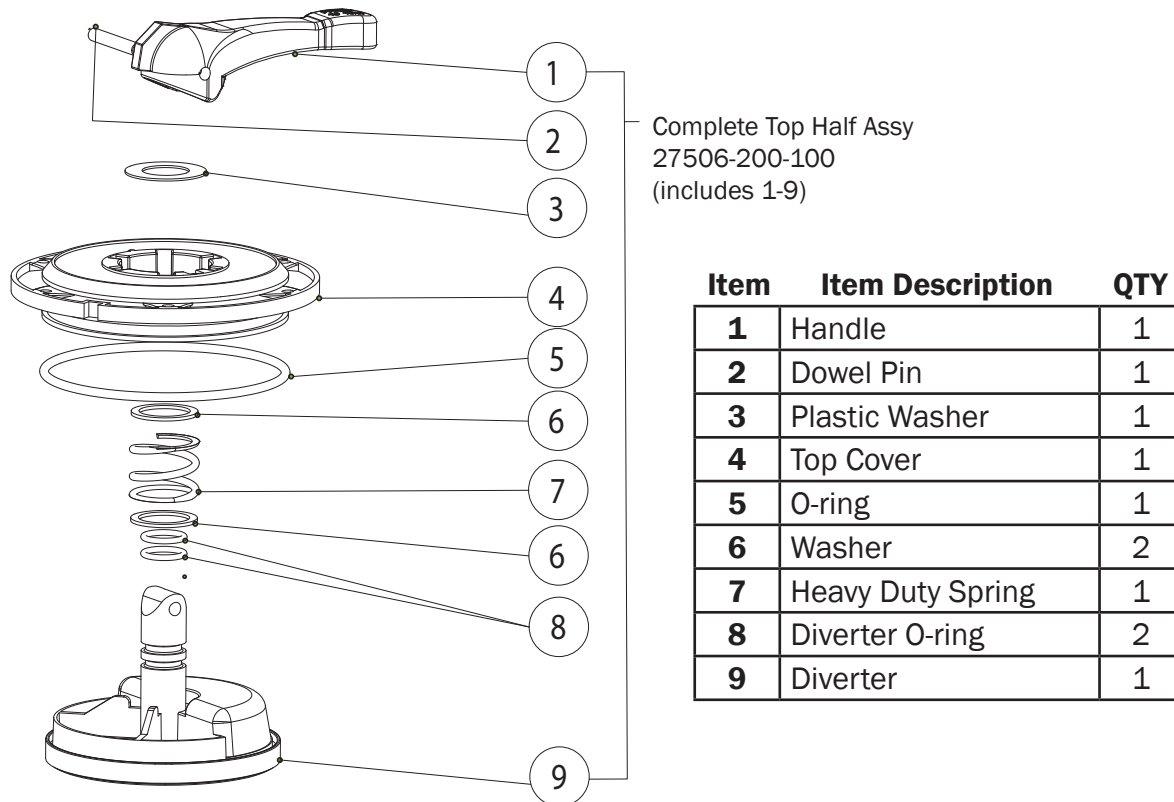


Figure A: Top Half Assy Components

For the full list of replacement parts of this unit, please check our catalog or our website at www.c-m-p.com.