



MULTI-PORT VALVE USER MANUAL

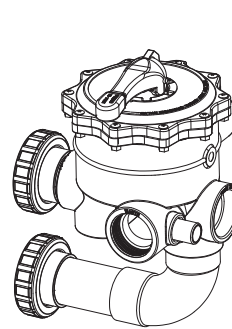
For CMP# 27516-204-000; 27517-204-000



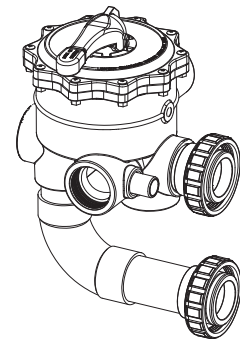
Important Notice: This manual contains important information about the installation, operation and safety procedures of the product. Read and follow all instructions before the installation or servicing. Failure to follow safety warnings and instructions can result in severe injury, death, or property damage.

PRODUCT INFORMATION

These multi-port valves are replacements for Hayward SP0715XR50 and SP0715X62 Valves. The filter valve features an easy-to-use lever action handle that lets you dial up to six valve/filter functions- filter, backwash, waste, rinse, closed, and recirculate. The valve has 2in FPT and bulkhead fittings.



27516-204-000
Replacement for Hayward SP0715XR50. It works with Hayward Pro-Grid Vertical Grid D.E. filters



27517-204-000
Replacement for Hayward SP0715X62. It works with Hayward S210S, S244S, S310S, S311SXV or S360SX filters

*Hayward is a registered trademark of Hayward Industries

Valve Setting	Water Flow Path; Setting Function
FILTER	<i>PUMP ► SAND TOP/DE BOTTOM ► THROUGH FILTER ► SAND BOTTOM/DE TOP ► POOL RETURN</i> For normal filter action and vacuuming pool through filter.
BACKWASH	<i>PUMP ► SAND BOTTOM/DE TOP ► THROUGH FILTER ► SAND TOP/DE BOTTOM ► WASTE</i> For cleaning filter by reversing flow.
RINSE	<i>PUMP ► SAND BOTTOM/DE TOP ► THROUGH FILTER ► SAND BOTTOM/DE TOP ► WASTE</i> For start-up cleaning and resetting filter bed after backwashing.
WASTE	<i>PUMP ► WASTE</i> For vacuuming directly to waste, lowering pool level or draining pool.
CLOSED	<i>NO FLOW. DO NOT USE WHEN PUMP IS IN OPERATION</i> For shutting off all flow to filter and pool.
RECIRCULATE	<i>PUMP ► POOL RETURN</i> For circulating water without going through filter.



CAUTION: TURN PUMP OFF BEFORE SERVICING OR CHANGING VALVE POSITIONS

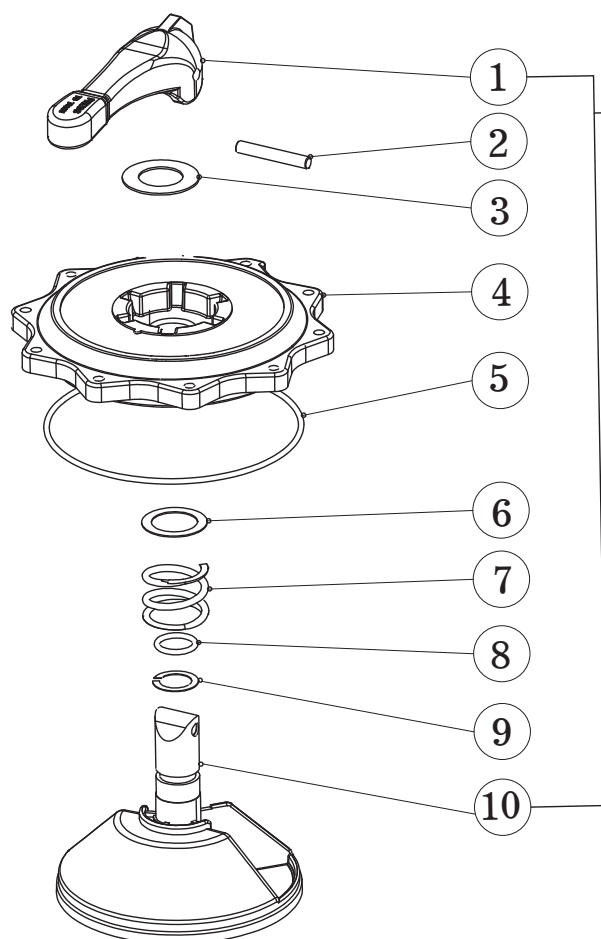
INSTALLATION & SERVICE INSTRUCTIONS



- Confirm correct valve is being used for your filter type and model.
- To install valve to filter, secure bulkhead nuts on valve to fittings on filter. **TIGHTEN THE NUTS BY HAND ONLY.** Connect pump, return, and waste lines by following the markings of the ports.
- **VALVE TOP IS UNDER SPRING LOAD.** To open top half and service valve, evenly and alternately loosen cover screws.
- To re-assemble the top half, place diverter on a smooth and firm surface. Assemble parts on shaft by following Figure A. *Make sure the pointer on handle and the arrow on diverter point to same direction.* Press down the cover by depressing heavy-duty spring and secure handle with dowel pin.
- To re-assemble the top half to valve bottom, ensure bottom gasket and diverter sealing surface are clean and free from nicks to insure positive sealing. Tighten cover screws evenly and alternately. **DO NOT OVERTIGHTEN THE SCREWS.**
- **WINTERIZATION:** To winterize, drain the pump and filter per manufacturer's instructions. Press and turn valve handle to a position that is between any two settings.



IF O-RINGS REQUIRE LUBRICATION, USE ONLY SILICONE TYPE LUBRICANTS



Complete Top Half Assy
27516-204-100
(includes 1-10)

Item	Item Description	QTY
1	Handle	1
2	Dowel Pin	1
3	Plastic Washer	1
4	Top Cover	1
5	Top Cover O-ring	1
6	Spring Washer	1
7	Heavy Duty Spring	1
8	Diverter O-ring	1
9	Diverter Washer	1
10	Diverter	1

Figure A: Top Half Assy Components

For the full list of replacement parts of this unit, please check our catalog or our website at www.c-m-p.com.