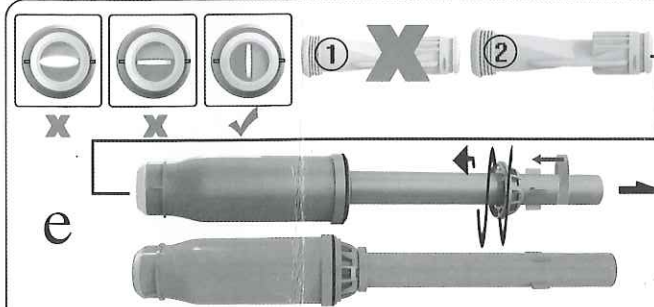
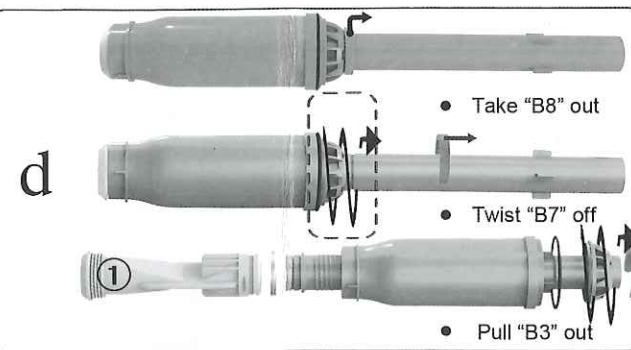
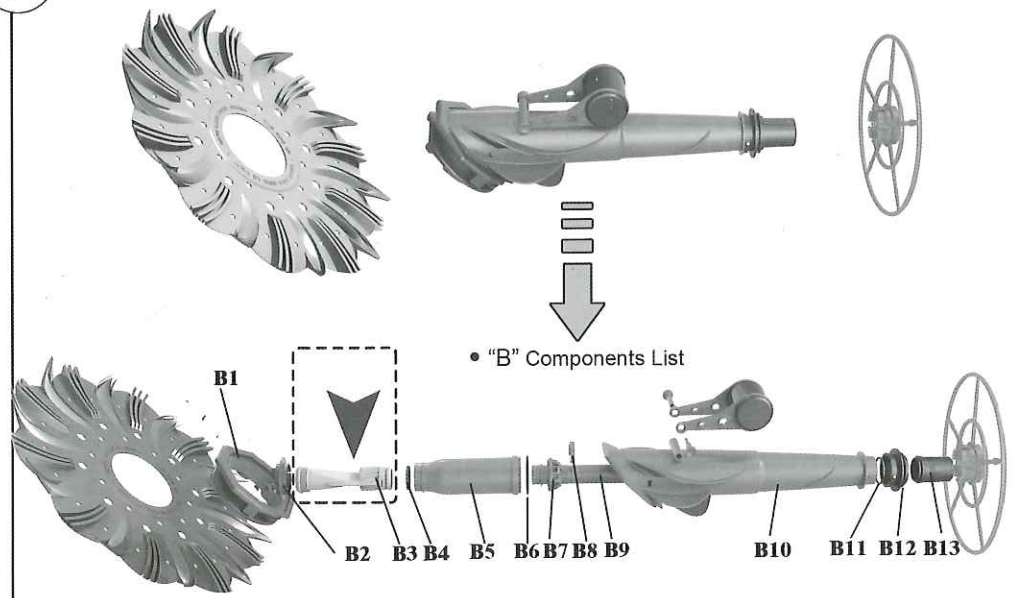


**A**



**Attention:**

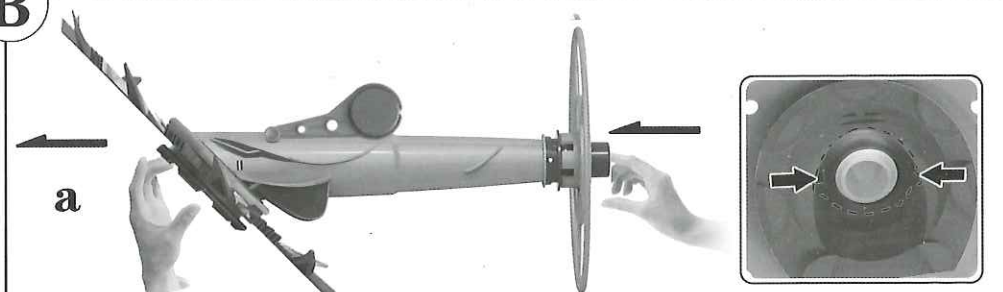
1. Component "B7" MUST not be tightened excessively tight; otherwise the flapper opens widely which has negative effect on its performance.

2. Make sure the diaphragm is in the same line as "B5" body.

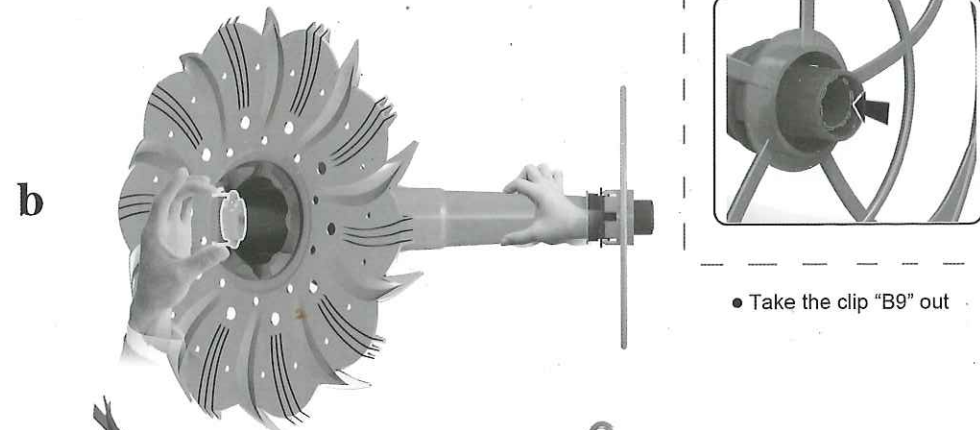
- Exchange the new diaphragm "2", the assembling step is same as above.

**B**

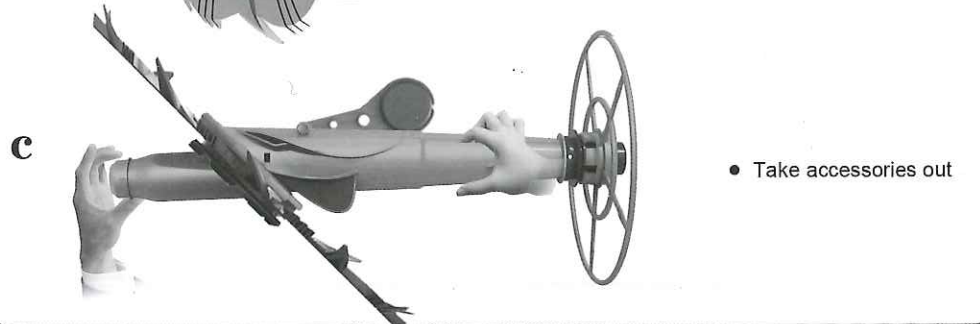
Change the diaphragm as follows:



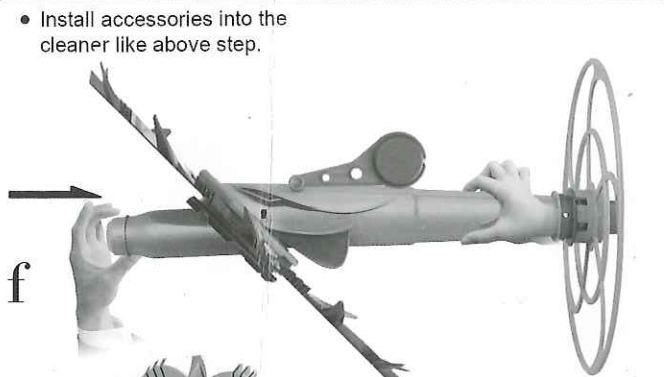
- Make the clip "B2" off the body, but not take out, and press the "B9" mouth.



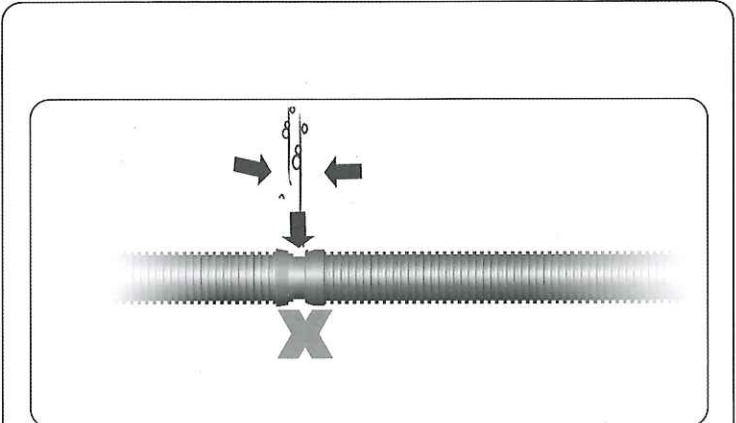
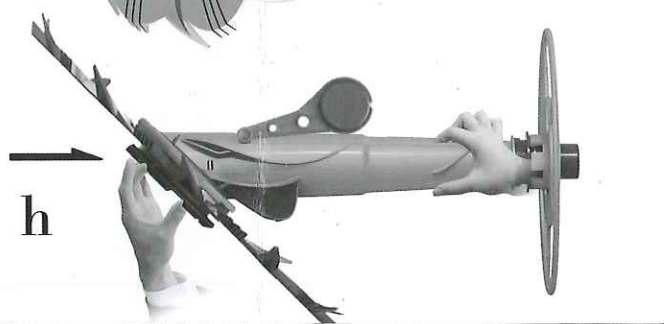
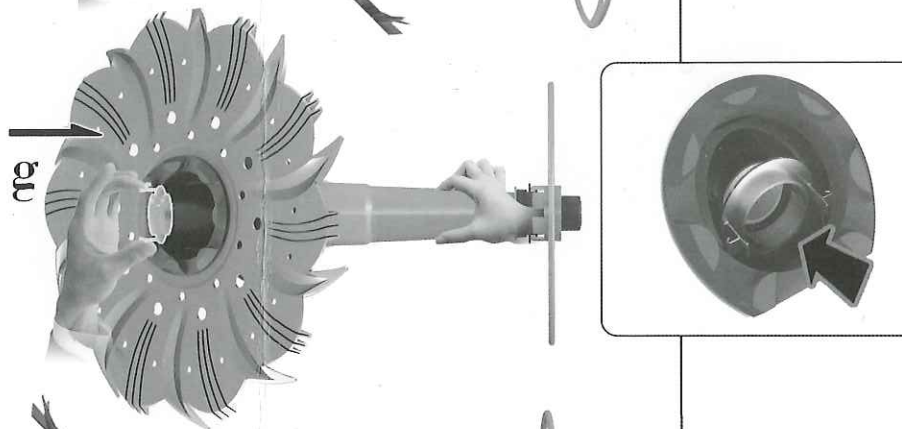
- Take the clip "B9" out



- Take accessories out

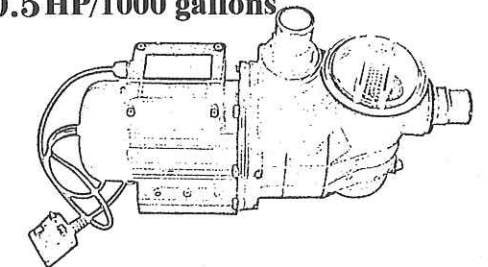


- Install accessories into the cleaner like above step.

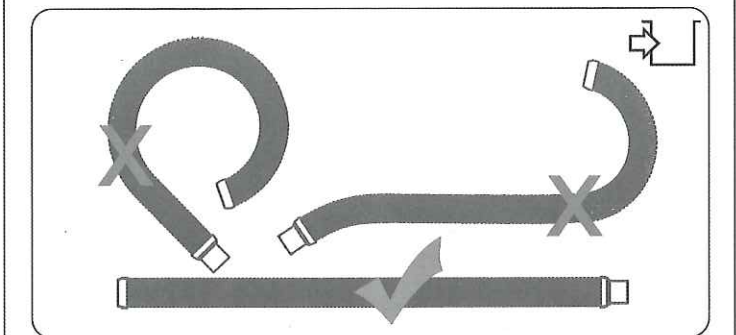


- No leak is allowed at the joint of the pipes

**Min 0.5 HP/1000 gallons**



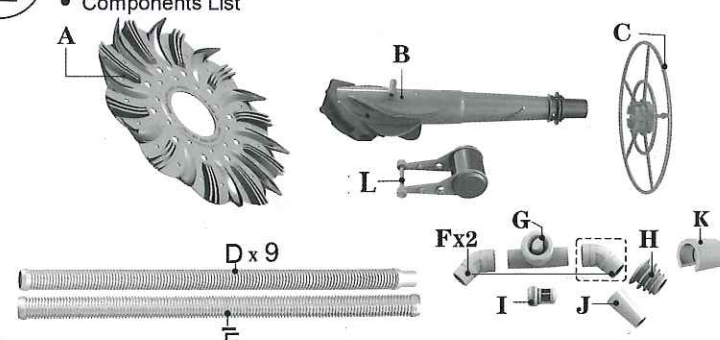
- Pump for the cleaner should have a minimum power of 0.5HP/1000gallons



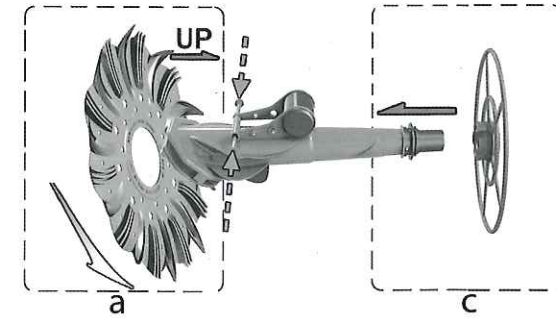
- Always keep the hose lay straight when storage



**1** Components List




**2**



a. Install sealing disk    b. Install floator    c. Install hand wheel, make sure it is clicked into, and can rotate freely.

**3**

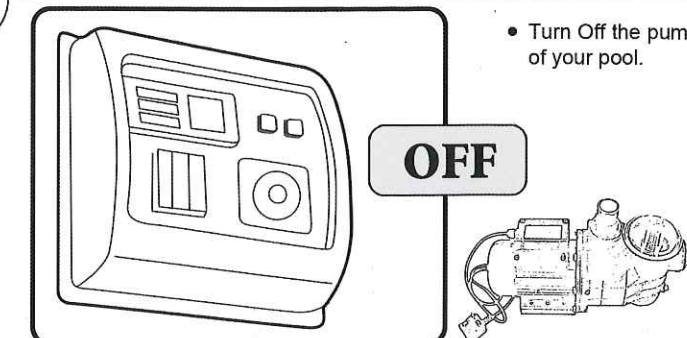
• Working Sketch for a completed cleaner



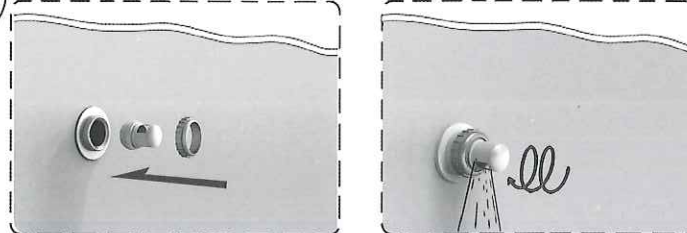
**4**

• Turn Off the pump of your pool.

**OFF**

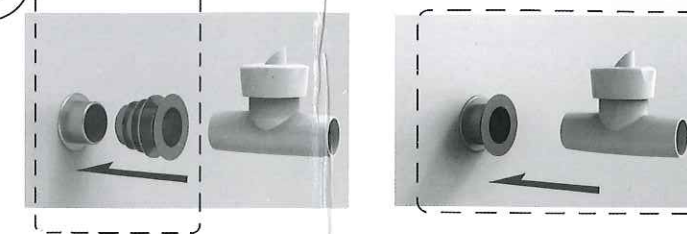


**5**



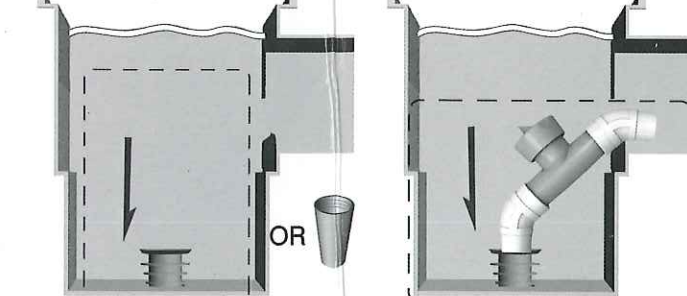
• Replace the eyelet of your return inlet by part "I", ensuring that the opening faces downward so as not to interfere with the operation of the pump.

**6**



OR

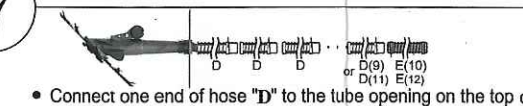
• Connect the part "H" into your Vac plug. Connect the regulator "G" into the part "H". Make sure that the arrow under the regulator is pointed towards the Vac plug.



OR

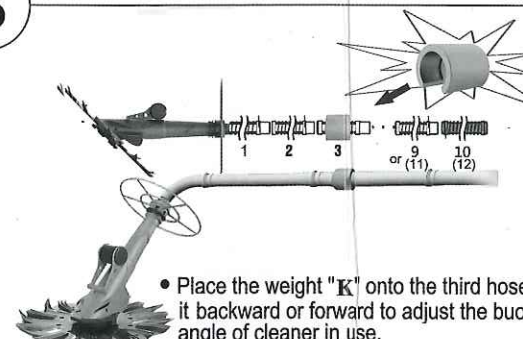
• Assemble the two elbow connectors "F" to the regulator "G". Insert the attachment "H" facing downward and then the regulator. Take care the arrow under the regulator is pointing into the skimmer.

**7**



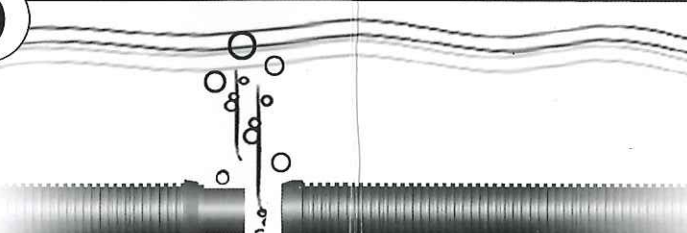
• Connect one end of hose "D" to the tube opening on the top of "B" and then connect the other end to another "D" and finish with all hoses "D" and then "E".

**8**



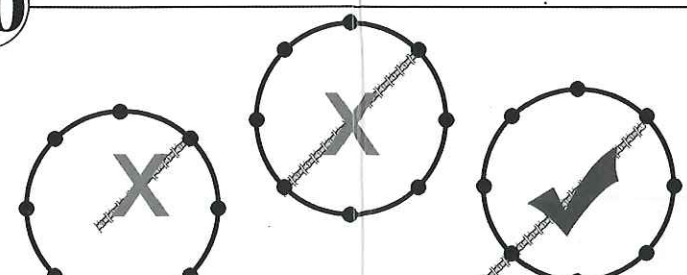
• Place the weight "K" onto the third hose section and slide it backward or forward to adjust the buoyancy of the hoses and angle of cleaner in use.

**9**



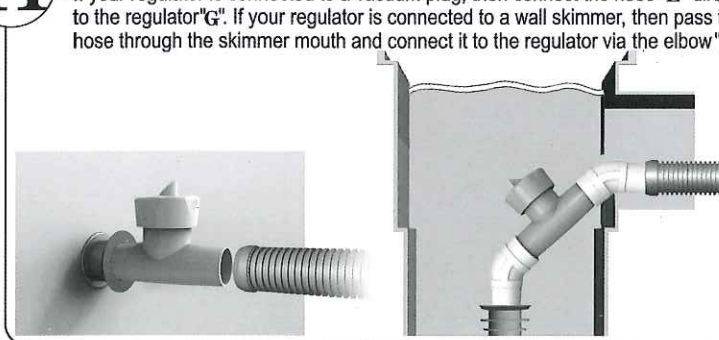
• Fill the hoses with water to eliminate the air pockets.

**10**



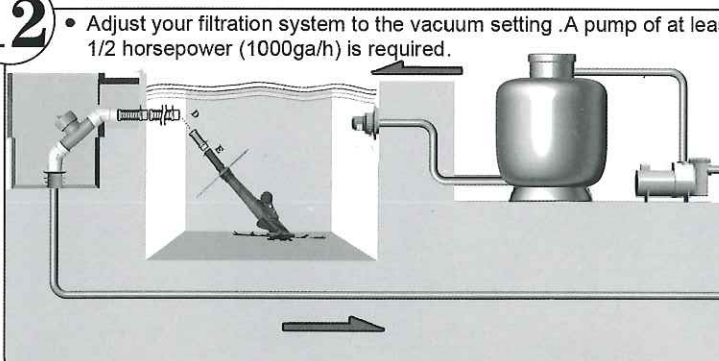
**11**

• If your regulator is connected to a vacuum plug, then connect the hose "E" directly to the regulator "G". If your regulator is connected to a wall skimmer, then pass the hose through the skimmer mouth and connect it to the regulator via the elbow "F".



**12**

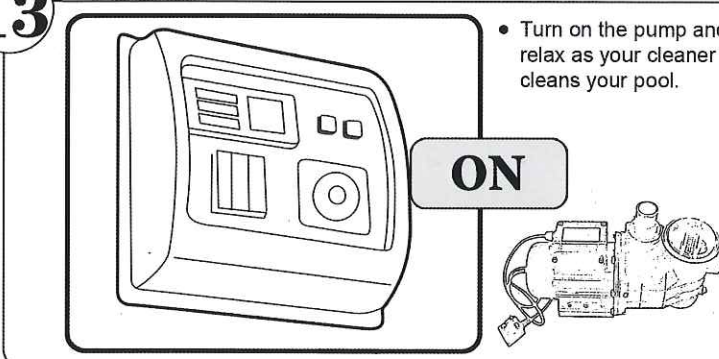
• Adjust your filtration system to the vacuum setting. A pump of at least 1/2 horsepower (1000ga/h) is required.



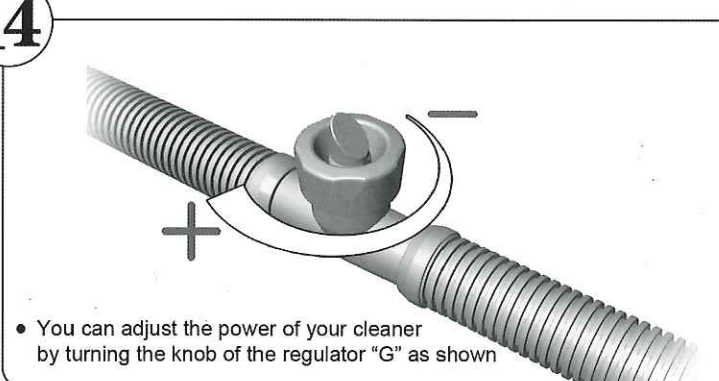
**13**

• Turn on the pump and relax as your cleaner cleans your pool.

**ON**



**14**



• You can adjust the power of your cleaner by turning the knob of the regulator "G" as shown

**15**

