

— **CMP** —
SPA PRODUCTS
CATALOG
— 2019 —

LOCATIONS

CORPORATE HEADQUARTERS

CMP EAST DISTRIBUTION

36 HERRING ROAD, NEWNAN, GA 30265

TOLL FREE: 1-800-733-9060

LOCAL: 770-632-7112

FAX: 770-632-7115

INFO@C-M-P.COM

CMP WEST DISTRIBUTION

5100 WESTERN WAY, PERRIS, CA 92571

CMP AUSTRALIA & NEW ZEALAND

(CSN GLOBAL PARTY LTD)

SALES@CSNGLOBAL.COM.AU

ONLINE: CSNGLOBAL.COM.AU

CMP EUROPE DISTRIBUTION

VELUWEZOOM 32, 1327 AH ALMERE, NL

INTERNATIONAL@C-M-P.COM

SPA SALES / PRODUCT INFO

MONDAY - FRIDAY: 8:00AM - 5:00PM (EST)

SPASALES@C-M-P.COM

ONLINE: C-M-P.COM/FIND-A-REPRESENTATIVE

CUSTOMER SERVICE / ORDERS

MONDAY - FRIDAY: 8:00AM - 6:00PM (EST)

1-800-733-9060

CS@C-M-P.COM

FAX: 770-632-7115

ONLINE: C-M-P.COM/CUSTOMER-SERVICE

For Ordering Terms & Details, See Page 222

TECHNICAL SUPPORT

MONDAY - FRIDAY: 8:00AM - 5:00PM (EST)

1-800-733-9060 EXT 220

SUPPORT@C-M-P.COM

WARRANTY/RMA

RMA@C-M-P.COM

MARKETING

To request product literature and other CMP Marketing resources, contact CMP Customer Service or your spa sales rep.

ONLINE

Visit WWW.C-M-P.COM for product info, resources, videos, news and support.

CATALOG: C-M-P.COM/CATALOG

ONLINE RESOURCES: C-M-P.COM/DOWNLOADS



TABLE OF CONTENTS

Welcome 4

CMP Brands 5

Catalog Information 6

Color Reference 7

CMP Design Platforms 9

SQR™ 15

AIR X® 29

SPA JET COLLECTIONS 33

PRO-LOC™ JETS 34

PRO-LOC™ JET BODIES 64

TYPHOON ADVANCED™ JETS 68

TYPHOON ADVANCED™ JET BODIES 80

JUMBO JETS 86

EURO JETS & CLUSTER JETS 88

AIR INJECTORS 92

SWIM & WHIRLPOOL JETS 94

CONTROL VALVES 97

HALO™ COLLECTION 98

LEAF™ COLLECTION 99

FIVE SPOKE™ COLLECTION 100

WAVE™ COLLECTION 101

CROWN™ COLLECTION 103

DIAMOND™ COLLECTION 104

AQUA EFFECTS™ WATER FEATURES 107

POP-UP WATER FEATURES 109

LED LAMINARS & FOUNTAINS 110

WATERFALLS 111

LIQUID AROMA INJECTOR 114

LED COLOR CRYSTAL 116

OPTIX™ SPA LIGHTING 117

OTX MINI LIGHTS 119

LED CUPHOLDERS 120

INTERIOR LIGHTING 122

FILTRATION & CIRCULATION 125

SKIMMERS & FILTERS 126

REPLACEMENT FILTER ELEMENTS 135

VGB SUCTIONS 136

SPA PUMP WET END 137

OZONATOR ACCESSORIES 138

ACCESSORIES & TOOLS 139

DRAIN SYSTEMS 140

ACCESSORY ITEMS 144

TOOLS & AUXILIARY 147

WHITE GOODS & PLUMBING 149

WATER & AIR MANIFOLDS 150

PLUMBING & FITTINGS 156

AIR & WATER VALVES 159

REPAIR FITTINGS 162

Technical Resources 164

Part Number Index 169

Terms & Conditions 177

Limited Warranty 178

ISO Certification 182

WELCOME TO THE 2019 SPA PRODUCTS CATALOG

CMP 2019 SPA PRODUCTS CATALOG

SENIOR EDITOR

Victor Walker

SENIOR EDITOR

Bob Moore

DESIGN EDITOR

Stephen Boswell

CATALOG DESIGNER

Alison Bright

ENGINEERING

ADVISOR

Zack Vogtner

PRODUCT EDITOR

Jim Ramsey

The CMP Spa Products Catalog is a team project that included CMP Marketing, Engineering, Sales and Customer Service. Thank you to the entire team and to each individual that has contributed to the 2019 CMP Spa Products Catalog.
- EVERYTHING MATTERS®

©2019 CMP, LLC
All rights reserved

This annual catalog is one of our most important customer tools, in combination with award-winning customer service and tech support. CMP is committed to supporting pool professionals with systems and programs that set you up for success. Because when the difference is in the details, everything matters®.



NEW FOR 2019

LEAF AND FIVE SPOKE COLLECTIONS

Two Brand New style collections. These modern designs feature dimensional engineering with multiple layers of plastic and stainless steel to create dynamic designs. Collections include matching jet, control handle, and laminar options.

View products starting on page 46



NEW OPTIONS IN PRO-LOC

We are moving the entire CMP Jet Collection to Pro-Loc options. Pro-Loc is our most advanced jet body system. Pro-Loc options now include our Wave, Crown and Diamond jet collection styles
View starting on page 34



CMP SPA PRODUCTS BRANDS



SPECTRUM DESIGN PLATFORM: PAGE 10



SQR SYSTEM: PAGE 16



AIRNETIC THERAPY SYSTEM: PAGE 30



ADVANCED JET INSTALLATION: PAGE 34



ORIGINAL RELIABLE JET INSTALLATION: PAGE 68



WATER FEATURES & SPECIAL EFFECTS: PAGE 107



LED LIGHTING PROGRAM: PAGE 117

The CMP logo, division "lockup" and tagline everything matters® are registered trademarks of Custom Molded Products, LLC. All CMP Spa Products logos and trademarks are property of CMP. SQR™, AIR X®, Spectrum™, Pro-Loc™, Typhoon Advanced™, Optix™ and AquaEffects® are trademarks and/or registered trademarks of CMP.

The absence of a trademark, trade name or service mark from the above list does not constitute a waiver of our intellectual property rights concerning that trademark, trade name or service mark. All custom graphics, icons, logos and words listed above are trade names, trademarks or service marks of Custom Molded Products in the United States and/or other countries.

The trademarks and names of other companies and products mentioned herein are the property of their respective owners.

CATALOG INFORMATION

ABBREVIATION GUIDE

S = SOCKET

SB = SMOOTH BARB

WP = WHIRLPOOL

SP = SPIGOT

SS = STAINLESS STEEL

P/N = PART NUMBER

WTR = WATER

ASSY = ASSEMBLY

G. GRAY = GRAPHITE GRAY

RB = RIBBED BARB

GPM = GALLONS PER MINUTE

BOX AND BAG QUANTITIES

Box Quantities are listed for most items. If a bag quantity is also available, it will be indicated as "box/bag," such as "24/6" where "24" is the box quantity and "6" is the bag quantity.

Currently CMP does not apply a surcharge for broken carton orders. Please help us maintain this policy by ordering in full carton quantities. **Thank you for your cooperation.**

FOR MORE INFORMATION

Terms & Conditions pg 177

CMP Limited Warranty pg 178

All illustrations, photographs, product details and specifications in this catalog are current as of available information at the time of printing.

To access the digital version of this catalog, you may view or download online at www.c-m-p.com/catalog.



*Indicates CMP New
for 2019 Products*



ALSO AVAILABLE
. See SQR Products on page 16

Many CMP Products are now available as part of the SQR System. Look for this icon throughout the catalog for SQR System options.

THANK YOU FOR USING THE 2019 CMP SPA PRODUCTS CATALOG

COLOR REFERENCE

The standard CMP numbering scheme for designating the color of plastic products is indicated within the part number as follows:

A B C D E - F G **H** - I J K

The standard colors for spa products are determined by the "H" digit using the guide below.

- 0 = White
- 1 = Medium Gray
- 2 = Stainless Steel
- 4 = Black
- 6 = Light Gray
- 7 = Graphite Gray / Silver
- 9 = Custom / Classic Gray

EXAMPLE: 23500-001-000 (1 = MEDIUM GRAY)

Please always specify the product color by both name and number when placing orders.

NON - STANDARD COLORS

Non-standard colors for spa products are determined by the combination of the "G" and the "H" digits. The "H" digit of "9" indicates Non-Standard, and the "G" digit, specifies color. Non-standard colors can include Tan, Clear, Light Blue, Dark Blue, etc. For details on ordering specific non-standard colors, call or email CS@c-m-p.com

CUSTOM COLORS

Additional colors are available upon request. Custom colors can be provided. Please call for details. A minimum order will be required.

FITTINGS

Unless otherwise specified fitting bodies and other underskirt components are molded in white or gray.

METAL FINISHES

CMP uses polished stainless steel in metal finish components. Additional metal finishes are available upon request.



INNOVATIVE PLATFORMS THAT ADVANCE SPA DESIGN



We aren't just building products: we are building total design platforms.

The spa industry is vibrant and innovative, full of talented designers and passionate teams. That's why we want to do more than sell you a new product. We want to sell you platforms that encourage innovation, rethink older systems and improve your entire process.

With every design and system from CMP, we are setting you up for success by paying attention to the small things. That's what makes the difference.

And when the difference is in the details, everything matters.

WHAT IS A DESIGN PLATFORM?

What do we mean when we say "design platform?" A platform can include many different elements, all with the goal of simplifying installation, reducing tooling costs and encouraging design innovations. A design platform can include one or more of the following elements:

LOW-COST CUSTOMIZATION

Products like Spectrum Jets are designed with innovative modular components that allow for completely unique designs with minimal tooling costs.

BRAND OPPORTUNITIES

Branding can include things as simple as a logo insert to color accents built into the design. Many products are designed intentionally with sub-components that can be molded in a custom color to complement your brand.

TOTAL SYSTEM THINKING

CMP products include multiple common system elements that streamline installation, including standardized hole saw sizes, industry-standard LED compatibility and unified installation methods.

SPECTRUM™ JET DESIGN PLATFORM



TOTAL SPA JET DESIGN PLATFORM

The Spectrum platform gives you a flexible system for custom jet designs with a combination of inserts, materials, snaps and stamps. Each of the above jet concepts use the Spectrum system. In partnership with CMP Industrial Design experts, this platform centric thinking keeps tooling costs low and allows for rapid market deployment.

**THE SPECTRUM JET CAP**

The heart of any Spectrum jet design is in the two piece jet cap. One stainless steel tool and simple plastic tool are all that is required to create the huge variety of designs available with Spectrum. Logos and stamped textures can be added to further customize the overall look of the spa jet.

**BREAKING THE "CIRCLE"**

With new Concourse and Snap insert styles, Spectrum can break outside the traditional "donut" jet shape. Inserts can extend beyond, above and over the stainless steel cap component to create dynamic and exciting shapes.

PRO-LOC
INDUSTRIAL DESIGN



TYPHOON
ADVANCED

COMPLETE JET THERAPY SYSTEM

The Spectrum Platform is 100% compatible with every CMP jet style. Use Spectrum designs with SQR, Pro-Loc and Typhoon systems. Create Spectrum jets that are directional, bearingless, VTX and any other CMP therapy nozzle style.

SPECTRUM™ JET DESIGN PLATFORM



A. RACETRACK INSERT

In this original Spectrum design, the plastic insert sits below and extends through the stainless steel escutcheon.

B. CONCOURSE INSERT

In a variation on the original "racetrack" style, the plastic insert extends outside the ring of the escutcheon.

C. SNAP INSERT

The newest option in Spectrum platform styles. In a reversal, the plastic sits on top of the stainless steel escutcheon. This opens up a huge variety of brand new design options.

D. NOZZLE/EYEBALL

Eyeballs are available in clear for LED lighting, or in a variety of plastic colors to complement the overall design. Stainless steel or plastic nozzle rings can be inserted into directional and roto styles.

E. FLANGE

The plastic flange can be molded in a color to match and complement the design, completing a unique jet design.

SPECTRUM™ HALO ACCENT PLATFORM

**A. DESIGN INSERT**

The Halo design insert can be produced in your choice of molded color or high polished stainless steel.

B. NOZZLE RING

Just as with Spectrum Stainless, the nozzle ring can be matched to the design insert, or molded in a contrasting color for your design.

C. NOZZLE/EYEBALL

Accent Stainless & Accent Duo-Tone are available in every nozzle style. As with all CMP jets, nozzles can be plastic or clear for LED.

D. FLANGE

The CMP radial flange texture elevates the entire look of these Spectrum jets. Coordinate and contrast your color choice with the design insert for the perfect look.

INNOVATION THROUGH PLATFORM THINKING

Accent Stainless and Accent Duo-Tone variations provide even more choices for spa OEMs. The Halo design elements and nozzle rings can be emphasized using color and material to create a unique look and feel that complements any hot tub composition. The design variations also provide spa manufacturers with a variety of price points that do not limit design or aesthetics.



PRODUCTS DESIGNED TO BE CUSTOMIZED

SINGLE ELEMENT CUSTOMIZATION

In select products, a single design element can be completely customized without effecting the overall component. By only customizing the single component you get a unique design that will can match and complement the complete tub layout composition.



Topside control handles with custom caps



Deco LED Cupholder with design insert

BRAND OPPORTUNITIES

These products are designed with logo and/or color inserts. These inserts can be molded to match any spa brand, creating a custom look within an otherwise stock component.



Fusion weir with logo insert and customizable color inserts



Filter weir with customizable logo insert



Archfall with logo insert control and customizable handle color



Cascade waterfall with customizable design insert

TOTAL SYSTEM THINKING



COMPLETE PRODUCT FAMILIES

For manufacturers that use more "off the shelf" products, you can still get a completed look and feel in the hot tub design. CMP Halo, Wave, Crown and Diamond styles are carried throughout the product line for a universal stocked product style. Complete families include jets, valves, air controls, LED lighting and water features.

SHARED HOLE SAW AND NUT SIZES

Many CMP products use standardized hole sizes and nuts. This reduces the number of components that have to be stocked, and minimizes the number of tools required on the manufacturing floor. Standardized components also have years of market use, which promote higher levels of quality and confidence.



OPTIX STANDARDIZED LED AND NUT SIZES

Optix LED spa components are designed around universal, common installation methods. Each LED product is engineered for use with industry standard LED lights. Multiple Optix fittings use a standardized nut for installation. The common features in the product design simplify the installation process. This also allows CMP to offer standardized platform components for OEMs using custom LED designs.

GASKET DRIVEN SEALS

CMP products are engineered to use gaskets to seal instead of requiring silicone to seal during installation. Why add an extra step of sealing an installed component on the floor? These included gaskets create a faster and cleaner installation process.

SQR™ SYSTEM

ABOUT SQR PRODUCTS 16

SQR JETS 18

SQR VALVES 22

SQR WATER FEATURES & LIGHTING 23

SQR SPA FILTERS 25

SQR ACCESSORIES 27

FORWARD THINKING ENGINEERING

SQR applies basic laws of physics to create a superior seal, while addressing the issues created by typical torque compression systems.

The patented body and grommet gasket design combination is absolutely the most effective method of spa component installation.



NO BACKSIDE GRINDING

Surface grinding is loud, dangerous, dirty and potentially hazardous. SQR™ seals effectively with no backside grinding.

NO NUTS, COMP RINGS OR GASKETS

Scores of parts complicate the work area, increasing prep time and costs. Fewer components simplifies the process.

NO EXPENSIVE SEALANTS

Sealants are messy, expensive and difficult to apply. It is impossible to apply sealants with 100% consistency.





TYPICAL SYSTEMS = MULTIPLE STEPS

To ensure a proper and consistent seal, standard parts require sealant, gaskets, comp rings, nuts and must then be tightened to an exact compression specification. Prepping and installing all of these components takes up time and poorly utilizes space.

AGILE STYLE MANUFACTURING

Each step in the process is simplified, which translates into rapid turnaround. Drilling occurs in a single hole-cutting step. Component installation only requires installing the patented SQR™ grommet and patented SQR™ body.



SIMPLICITY = CONSISTENCY

By requiring fewer components and reducing the need for surface prep, SQR™ creates a repeatable installation & increased quality.

RADIAL SEAL ENGINEERING

Radial seals are standard technology in many industries. This installation technique is more dependable than comp seals.

PROVEN RESULTS

SQR™ technology has been tested in the spa industry for ten years, and used in regular production by multiple OEMS.

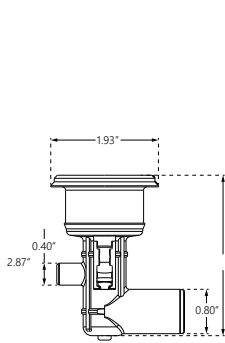


SQR™ PRO-LOC™ JET BODIES

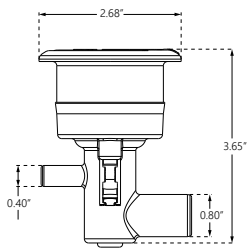


PRODUCT FEATURES

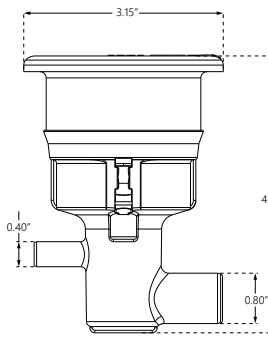
- Clear or White SQR System Bodies
- SQR Grommet Sold Separately



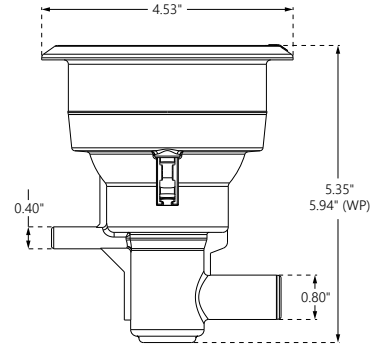
200 SERIES



300 SERIES



400 SERIES



500 SERIES

ORDERING GUIDE

REF	200 SERIES	300 SERIES	400 SERIES	500 SERIES	DESCRIPTION
SQR PRO-LOC JET BODIES					
A	29222-090-000	29232-090-000	29242-090-000	29252-090-000	WHITE, 3/4" RB × 3/8" RB
—	29222-290-000	29232-290-000	29242-290-000	29252-290-000	WHITE, 3/4" SB × 3/8" SB
—	—	—	—	29250-090-000	WHITE, 1.5" S WTR × 0.5" S AIR (W-POOL)
—	—	—	—	29250-190-000	WHITE, 1" S WTR × 0.5" S AIR (W-POOL)
B	29222-299-000	29232-299-000	29242-299-000	29252-299-000	CLEAR/LED, 3/4" SB × 3/8" SB
—	29222-099-000	29232-099-000	29242-099-000	29252-099-000	CLEAR/LED, 3/4" RB × 3/8" RB
C	29222-299-042	29232-299-040	29242-299-040	29252-299-040	SQR JET BODY GROMMET, GRAY

COVERED BY ONE OR MORE U.S. PATENTS OR PATENT PENDING APPLICATIONS. SEE WWW.C-M-P.COM/PATENTS FOR DETAILS.

SQR™ SYSTEM PRODUCTS

SQR TWIST-LOC CLUSTER JET

Twist-Loc Cluster Jets are designed for easier installation. The single-piece face design has a cleaner installed appearance.

PRODUCT FEATURES

- Halo Jet Design
- Twist-Loc Jet Installation
- 2" Jet Body
- Clear / LED Available
- SQR Grommet Sold Separately
- More Info Page 85



ORDERING GUIDE

REF	CMP P/N	DESCRIPTION	COLOR	PLUMBING SIZE
"TWIST-LOC" CLUSTER JETS				
A	29211-011-000	TWIST-LOC CLUSTER JET	SS/GRAPHITE GRAY HALO, SILVER NOZZLE	—
B	29211-011-100	TWIST-LOC CLUSTER JET ✨	SS/GRAPHITE GRAY HALO, CLEAR NOZZLE	—
C	29210-299-000	TWIST-LOC JET BODY ✨	CLEAR / LED	3/4" SB × 3/8" SB
—	29210-099-000	TWIST-LOC JET BODY ✨	CLEAR /LED	3/4" RB × 3/8" RB
—	29210-290-000	TWIST-LOC JET BODY	WHITE	3/4" SB × 3/8" SB
—	29210-090-000	TWIST-LOC JET BODY	WHITE	3/4" RB × 3/8" RB
—	29222-299-040	2" SQR GROMMET	GRAY	—

SQR™ SYSTEM PRODUCTS

SQR JET INTERNALS
FOR 200 SERIES SE

PRODUCT FEATURES

- Available in Two Jet Sizes
- Clear / LED Available
- Extended Flange Hides SQR Grommet

ORDERING GUIDE

CMP P/N	JET STYLE	SERIES	JET SIZE	NOZZLE COLOR	NOZZLE RING	BOX / BAG
200 SERIES SPECIAL EDITION SQR JET INTERNALS						
29520-312-000	DIRECTIONAL	200	3"	BLACK	—	400/50
29520-112-000	DIRECTIONAL	200	2-3/16"	BLACK	—	400/50
29520-312-400	DIRECTIONAL	200	3"	GRAPHITE GRAY	—	400/50
29520-322-400	ROTATIONAL	200	3"	GRAPHITE GRAY	—	400/50
29520-112-400	DIRECTIONAL	200	2-3/16"	GRAPHITE GRAY	—	400/50
29520-111-200	DIRECTIONAL	200	2-3/16"	CLEAR / LED	—	400/50
29520-311-200	DIRECTIONAL	200	3"	CLEAR / LED	—	400/50

SQR HOT WATER RETURN FITTING

PRODUCT FEATURES

- Available in Three Colors
- 1" Slip
- Compliant with EU Entrapment Regulations



ORDERING GUIDE

CMP P/N	DESCRIPTION	COLOR
SQR HOT WATER RETURN FITTING		
21001-304-000	SQR HOT WATER HEATER RETURN FITTING, 1" SLIP	BLACK
21001-307-000	SQR HOT WATER HEATER RETURN FITTING, 1" SLIP	GRAPHITE GRAY
21001-309-000	SQR HOT WATER HEATER RETURN FITTING, 1" SLIP	CLASSIC GRAY
29232-299-040	SQR GROMMET FOR HOT WATER HEATER RETURN FITTING	GRAY

SQR™ SYSTEM PRODUCTS

SQR ECONO AIR INJECTOR

PRODUCT FEATURES

- Stainless Steel
- 3/8" Smooth Air Barb
- SQR Grommet Sold Separately



A Shown with SQR Grommet Installed

B

ORDERING GUIDE

REF	CMP P/N	DESCRIPTION	COLOR	PLUMBING SIZE
SQR ECONO AIR INJECTOR				
A	23028-292-000	SQR ECONO AIR INJECTOR, STRAIGHT BARB	STAINLESS STEEL	3/8" SB AIR
SQR ECONO AIR INJECTOR, MULTIPORT				
B	23028-302-000	SQR ECONO AIR INJECTOR, 90 DEG ELBOW	STAINLESS STEEL	3/8" SB AIR
—	23028-307-000	SQR ECONO AIR INJECTOR, 90 DEG ELBOW	GRAPHITE GRAY	3/8" SB AIR
—	23028-309-000	SQR ECONO AIR INJECTOR, 90 DEG ELBOW	CLASSIC GRAY	3/8" SB AIR
SQR ECONO AIR INJECTOR, SINGLE PORT				
—	23028-392-000	SQR ECONO AIR INJECTOR, 90 DEG ELBOW	STAINLESS STEEL	3/8" SB AIR
—	23028-397-000	SQR ECONO AIR INJECTOR, 90 DEG ELBOW	GRAPHITE GRAY	3/8" SB AIR
—	23028-399-000	SQR ECONO AIR INJECTOR, 90 DEG ELBOW	CLASSIC GRAY	3/8" SB AIR
—	23028-299-040	SQR ECONO AIR INJECTOR GROMMET	GRAY	—

SQR SWIRL OZONE WALL FITTINGS

PRODUCT FEATURES

- Swirl Style Design
- Ribbed or Smooth Barb
- Three Color Options
- Compliant with EU Entrapment Regulations



C

D

SWIRL OZONE WALL FITTINGS				
C	23400-224-100	SQR SWIRL OZONE WALL FITTING	BLACK	3/4" RIBBED BARB
—	23400-224-000	SQR SWIRL OZONE WALL FITTING	BLACK	3/4" SMOOTH BARB
D	23400-227-000	SQR SWIRL OZONE WALL FITTING	GRAPHITE GRAY	3/4" SMOOTH BARB
—	23400-227-100	SQR SWIRL OZONE WALL FITTING	GRAPHITE GRAY	3/4" RIBBED BARB
—	23400-229-000	SQR SWIRL OZONE WALL FITTING	CLASSIC GRAY	3/4" SMOOTH BARB
—	23400-229-100	SQR SWIRL OZONE WALL FITTING	CLASSIC GRAY	3/4" RIBBED BARB
—	23400-299-040	SQR OZONE WALL FITTING GROMMET	GRAY	—

SQR™ TOPSIDE VALVES

PRODUCT FEATURES

- Grommet Doubles as LED Light Emitter
- Slotted Decorative Accent Cover for LED Lighting
- SQR Control Valve Grommet Sold Separately
- Halo Insert & Accent Cover Match Cap
- "Full Cover" Handle Option Completely Covers the Valve Cap
- Halo, Crown, Wave & "S" Handle Styles
- More Info on CMP Valves Page 97



ORDERING GUIDE

CMP P/N	DESCRIPTION	HANDLE STYLE	CONTROL CAP COLOR / TEXTURE	HANDLE COLOR
SQR TOPSIDE CONTROL VALVES				
25159-101-000	1" SQR AIR CONTROL VALVE	HALO	GRAPHITE GRAY / SMOOTH	SILVER
25159-103-000	1" SQR AIR CONTROL VALVE	HALO	BLACK / SMOOTH	SILVER
25159-457-800	1" SQR AIR CONTROL VALVE	HALO	GRAPHITE GRAY / TEXTURED	SILVER
25190-807-000	1" SQR AIR CONTROL VALVE	CROWN	GRAPHITE GRAY / TEXTURED	SILVER
25190-707-000	1" SQR AIR CONTROL VALVE	WAVE	GRAPHITE GRAY / SMOOTH	SILVER
25193-107-000	1" SQR AIR CONTROL VALVE	S-HANDLE	GRAPHITE GRAY / SMOOTH	SILVER
25193-307-000	1" SQR AIR CONTROL VALVE	S-HANDLE	GRAPHITE GRAY / TEXTURED	SILVER
25158-101-000	2" SQR DIVERTER VALVE	HALO	GRAPHITE GRAY / SMOOTH	SILVER
25158-113-000	2" SQR DIVERTER VALVE	HALO	BLACK / SMOOTH	SILVER
25258-101-000	2" SQR HORIZONTAL DIVERTER VALVE	HALO (FULL COVER)	GRAPHITE GRAY / SMOOTH	SILVER
25258-113-000	2" SQR HORIZONTAL DIVERTER VALVE	HALO (FULL COVER)	BLACK / SMOOTH	BLACK
25258-113-100	2" SQR HORIZONTAL DIVERTER VALVE	HALO (FULL COVER)	BLACK / SMOOTH	SILVER
25143-107-000	2" SQR DIVERTER VALVE	S-HANDLE	GRAPHITE GRAY / SMOOTH	SILVER
25156-111-000	SQR ON/OFF VALVE, 1" S	HALO	GRAPHITE GRAY / SMOOTH	SILVER
25256-111-000	SQR ON/OFF VALVE, 1" S	HALO (FULL COVER)	GRAPHITE GRAY / SMOOTH	SILVER
25256-113-000	SQR ON/OFF VALVE, 1" S	HALO (FULL COVER)	BLACK / SMOOTH	BLACK
25156-101-000	SQR ON/OFF VALVE, 3/4" SB	HALO	GRAPHITE GRAY / SMOOTH	SILVER
25156-103-000	SQR ON/OFF VALVE, 3/4" SB	HALO	BLACK / SMOOTH	SILVER
25136-917-000	SQR ON/OFF VALVE, 3/4" SB	S-HANDLE	GRAPHITE GRAY / SMOOTH	SILVER
25153-101-000	SQR 1" 3-WAY DIVERTER VALVE	HALO	GRAPHITE GRAY / SMOOTH	SILVER

CMP P/N	DESCRIPTION	COLOR
SQR TOPSIDE CONTROL VALVE ACCESSORIES		
25197-000-020	SQR LED GROMMET, 1" AIR CONTROL	TRANSLUCENT
25148-000-020	SQR LED GROMMET, 2" DIVERTER	TRANSLUCENT
25136-000-020	SQR LED GROMMET, ON/OFF VALVE	TRANSLUCENT
25159-007-035	SQR AIR CONTROL WALL FITTING	GRAPHITE GRAY
25159-004-035	SQR AIR CONTROL WALL FITTING	BLACK
25136-007-035	SQR ON/OFF WALL FITTING	GRAPHITE GRAY
25136-004-035	SQR ON/OFF WALL FITTING	BLACK
25158-007-035	SQR 2" DIVERTER WALL FITTING	GRAPHITE GRAY
25158-004-035	SQR 2" DIVERTER WALL FITTING	BLACK
35036-000-100	3/4" ON/OFF BODY & O-RINGS	—
35030-000-100	1" ON/OFF BODY & O-RINGS	—
35033-000-100	1" DIVERTER VALVE BODY & O-RINGS	—
35048-000-100	2" DIVERTER VALVE BODY & O-RINGS	—
28072-000-100	2" HORIZONTAL DIVERTER BODY & O-RINGS	—

SQR™ SYSTEM PRODUCTS

SQR AQUA EFFECTS™ WATER FEATURES

PRODUCT FEATURES

- Select Styles Available
- 2" Grommet Fits LED Laminar
- 3" Grommet Fits "Pop-Ups"
- SQR Grommet Sold Separately



SQR OPTIX™ DECO CUPHOLDER

The Patented CMP Deco Cupholder is the most stylish LED cupholder on the market. The customizable insert design is protected by being installed *under* the cupholder lens.

PRODUCT FEATURES

- Halo Series Deco Accent Insert
- Wave or Beveled Ring Design
- SQR Grommet Sold Separately
- More Info Page 120



ORDERING GUIDE

REF	CMP P/N	DESCRIPTION	COLOR
SQR AQUA EFFECTS LED LAMINARS			
A	25269-802-700	SQR LED LAMINAR, SPECTRUM HALO SERIES	SS / GRAPHITE GRAY
—	25269-404-000	SQR LED LAMINAR, DIAMOND SERIES	SS / BLACK
—	25269-802-400	SQR LED LAMINAR, SPECTRUM HALO SERIES	SS / BLACK
—	29222-299-040	2" SQR GROMMET	GRAY
SQR AQUA EFFECTS LED POP-UP WATER FEATURES			
B	25267-428-710	SQR AQUA EFFECTS LED FAN	SILVER / GRAPHITE GRAY
—	25267-327-710	SQR AQUA EFFECTS LED BUBBLER	GRAPHITE GRAY
—	25267-328-710	SQR AQUA EFFECTS LED BUBBLER	SILVER / GRAPHITE GRAY
—	25267-528-710	SQR AQUA EFFECTS LED STREAM	SILVER / GRAPHITE GRAY
C	29232-299-040	3" SQR GROMMET	GRAY
SQR OPTIX DECO CUPHOLDER			
D	25241-307-800	SQR LED DECO CUPHOLDER, BEVELED RING	GRAPHITE GRAY RING & HALO INSERT
—	25241-308-700	SQR LED DECO CUPHOLDER, BEVELED RING	SILVER RING / G. GRAY HALO INSERT
—	25241-327-800	SQR LED DECO CUPHOLDER, WAVE RING	GRAPHITE GRAY RING & HALO INSERT
—	25241-314-800	SQR LED DECO CUPHOLDER, WAVE RING	BLACK RING / SILVER HALO INSERT
—	25241-307-020	SQR CUPHOLDER GROMMET	GRAY

COVERED BY ONE OR MORE U.S. PATENTS OR PATENT PENDING APPLICATIONS. SEE WWW.C-M-P.COM/PATENTS FOR DETAILS.

SQR™ LIGHTING

SQR OPTIX™ LED SPOT LIGHTS

PRODUCT FEATURES

- Clear or "Frosted" Spot
- 1" Faceted Light Design
- SQR Grommet Sold Separately
- Now Available in Mini



SQR OPTIX™ SPA LIGHTS

2" SPA LIGHT

- Prismatic Pyramid Lens Enhances & Improves LED Color Mixing
- Small, Compact Light Footprint
- Compatible with LED Bulbs
- Also Available in Butress Thread Style



3" AND 5" SPA LIGHTS

- White or Gray Grommet Options
- SQR Grommet Sold Separately
- Stainless Steel Escutcheon Option
- Complete Kits Include Lens, Reflector, Bulb and Wire Harness with AMP Connector



ORDERING GUIDE

REF	CMP P/N	DESCRIPTION	COLOR / MATERIAL
SQR LED SPOT FITTINGS			
A	25237-289-000	1" SQR LED SPOT FITTING, FACETED	WHITE PC
B	25237-299-000	1" SQR LED SPOT FITTING, FACETED	CLEAR PVC (BLUE TINT)
—	23028-299-040	SQR GROMMET, LED SPOT FITTING	GRAY
C	25234-200-000	SQR MINI LED SPOT FITTING WITH GROMMET, FACETED NEW	CLEAR
—	25234-299-040	SQR MINI SWIRL LED SPOT FITTING GROMMET NEW	CLEAR
D	25234-300-000	SQR MINI LED SPOT FITTING WITH GROMMET, TEXTURED NEW	CLEAR
SQR SPA LIGHTS			
E	25247-100-000	2" SQR REAR ACCESS SPA LIGHT WITH REFLECTOR HOUSING	CLEAR
—	25247-299-040	2" SQR REAR ACCESS SPA LIGHT GROMMET	GRAY
F	25241-330-000	3" SQR SPA LIGHT (LENS, REFLECTOR)	CLEAR
F	25241-350-000	5" SQR SPA LIGHT (LENS, REFLECTOR)	CLEAR
—	25241-330-100	3" SQR SPA LIGHT KIT (LENS, REFLECTOR, BULB, HARNESS)	CLEAR
—	25241-339-010	3" SQR SPA LIGHT LENS ONLY	CLEAR
—	25241-330-020	3" SQR SPA LIGHT REFLECTOR ONLY	CLEAR
—	25241-350-100	5" SQR SPA LIGHT KIT (LENS, REFLECTOR, BULB, HARNESS)	CLEAR
—	25241-352-000	5" SQR SPA LIGHT (LENS, REFLECTOR)	CLEAR / S. STEEL
—	25241-350-010	5" SQR SPA LIGHT LENS ONLY	CLEAR
—	25241-350-020	5" SQR SPA LIGHT REFLECTOR ONLY	WHITE
—	25241-352-100	5" SQR SPA LIGHT KIT (LENS, REFLECTOR, BULB, HARNESS)	CLEAR / S. STEEL
—	25241-350-060	5" SQR SPA LIGHT GROMMET ONLY	GRAY

For lighting accessories see page 124

SQR™ SPA FILTERS

PRODUCT FEATURES

- Graphite Gray or Black Body
- Floating Vane Weir Filter and Elite Filter Series Options
- SQR Grommet Sold Separately
- For Filter Details See Page 126



ORDERING GUIDE

REF	CMP P/N	DESCRIPTION	COLOR	FILTER AREA	BODY HEIGHT	FILTER ELEMENT (p135)	BOX/BAG
SQR FILTERS							
A	35453-904-000	SQR FLOATING VANE WEIR FILTER	BLACK	50 SQ FT	19-1/2"	N	6
A	35451-904-000	SQR FLOATING VANE WEIR FILTER	BLACK	35 SQ FT	16-1/2"	G	—
—	35453-907-000	SQR FLOATING VANE WEIR FILTER	GRAPHITE GRAY	50 SQ FT	19-1/2"	N	6
—	35451-907-000	SQR FLOATING VANE WEIR FILTER	GRAPHITE GRAY	35 SQ FT	16-1/2"	G	6
B	35453-807-000	SQR ELITE FILTER WITH VANE WEIR	GRAPHITE GRAY	50 SQ FT	19-1/2"	J	—
—	35453-804-000	SQR ELITE FILTER WITH VANE WEIR	BLACK	50 SQ FT	19-1/2"	J	—
C	35453-704-000	SQR HI-FLO ELITE FILTER WITH TELESCOPIC WEIR	BLACK	50 SQ FT	19"	J	6
C	35453-707-000	SQR HI-FLO ELITE FILTER WITH TELESCOPIC WEIR	GRAPHITE GRAY	50 SQ FT	19"	J	—
—	35453-907-020	SQR GROMMET FOR FILTER BODY	GRAY	—	—	—	48/6

FILTER ELEMENT CHART PAGE 135 (ELEMENTS SOLD SEPARATELY)

SQR™ VGB CERTIFIED SUCTIONS

PRODUCT FEATURES

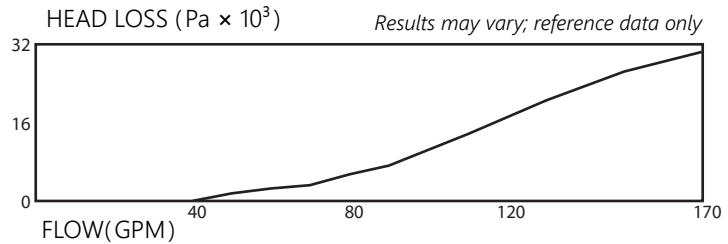
- Plastic or Stainless Steel Cover
- UL Listed, Compliant to ANSI/APSP - 16 2011 & CPSC Requirements
- Grommet Sold Separately



TECHNICAL GUIDE



- Open Area is 12.36in²
- 3-31/32" Hole Size
- Single or Multiple Suction Use
- 170 GPM (Plastic)
- 172 GPM (Stainless Steel)



ORDERING GUIDE

CMP P/N	DESCRIPTION	COLOR
SQR VGB SPA SUCTIONS		
25200-102-000	172 GPM SQR VGB SUCTION ASSEMBLY, 2.5" SOCKET	STAINLESS STEEL
25201-104-000	170 GPM SQR VGB SUCTION ASSEMBLY, 2.5" SOCKET	BLACK
25201-107-000	170 GPM SQR VGB SUCTION ASSEMBLY, 2.5" SOCKET	GRAPHITE GRAY
25201-109-000	170 GPM SQR VGB SUCTION ASSEMBLY, 2.5" SOCKET	CLASSIC GRAY
25200-302-000	172 GPM SQR VGB SUCTION ASSEMBLY, 2" SOCKET	STAINLESS STEEL
25201-304-000	170 GPM SQR VGB SUCTION ASSEMBLY, 2" SOCKET	BLACK
25201-307-000	170 GPM SQR VGB SUCTION ASSEMBLY, 2" SOCKET	GRAPHITE GRAY
25201-309-000	170 GPM SQR VGB SUCTION ASSEMBLY, 2" SOCKET	CLASSIC GRAY
SQR SUCTION COMPONENTS		
25201-104-250	170 GPM SQR SUCTION WALL FITTING & COVER SCREW, 2.5" SOCKET	BLACK
25201-107-250	170 GPM SQR SUCTION WALL FITTING & COVER SCREW, 2.5" SOCKET	GRAPHITE GRAY
25201-109-250	170 GPM SQR SUCTION WALL FITTING & COVER SCREW, 2.5" SOCKET	CLASSIC GRAY
25201-104-450	170 GPM SQR SUCTION WALL FITTING & COVER SCREW, 2" SOCKET	BLACK
25201-107-450	170 GPM SQR SUCTION WALL FITTING & COVER SCREW, 2" SOCKET	GRAPHITE GRAY
25201-109-450	170 GPM SQR SUCTION WALL FITTING & COVER SCREW, 2" SOCKET	CLASSIC GRAY
25201-104-100	170 GPM SQR VGB SUCTION COVER ONLY	BLACK
25201-107-100	170 GPM SQR VGB SUCTION COVER ONLY	GRAPHITE GRAY
25201-109-100	170 GPM SQR VGB SUCTION COVER ONLY	CLASSIC GRAY
29252-299-040	SQR SUCTION GROMMET	GRAY

All CMP suction are listed and tested in strict accordance to the requirements of ANSI/APSP - 16 2011, the current standard of reference for the Virginia Graeme Baker Act, and compliant to the latest Consumer Product Safety Commission (CPSC) requirements.



SQR™ SYSTEM PRODUCTS

SQR TOOLS & ACCESSORIES

- Specialized Tools for the Best Possible Installation
- No Calibration or Tool Maintenance Required
- Custom Hole Saws and Installation Lubricant
- Patent Pending Puller and Setter Tools



ORDERING GUIDE

REF	CMP P/N	DESCRIPTION	SIZE	APPLICATION
SQR TOOLS & ACCESSORIES				
A	29222-999-991	200 SERIES SETTER TOOL	N/A	200 SERIES SQR BODY
B	29232-999-991	300-500 SERIES SETTER TOOL	N/A	300, 400, 500 SERIES SQR BODIES
C	29222-999-990	200 SERIES PULLER TOOL (SB)	N/A	200 SERIES S. BARB SQR BODY (AFTER 2016)
C	29222-999-992	200 SERIES PULLER TOOL (RB)	N/A	200 SERIES R. BARB SQR BODY (AFTER 2016)
C	29252-999-990	300 SERIES PULLER TOOL	N/A	300 SERIES SQR BODY (AFTER 2016)
C	29250-999-990	400/500 SERIES PULLER TOOL	N/A	400/500 SERIES SQR BODY (AFTER 2016)
C	29232-999-990	500 SERIES WP PULLER TOOL	N/A	500 SERIES WHIRLPOOL SQR BODY (AFTER 2016)
—	22212-000-001	SQR LUBRICANT SPRAY BOTTLE	1 QT	ALL SQR PRODUCTS
—	22212-000-005	SQR LUBRICANT PAIL	5 GAL	ALL SQR PRODUCTS
—	29222-999-998	SQR JET BODY HOLE SAW	1-21/32"	200 SERIES SQR JET BODY, SQR SPA LAMINAR
—	29232-999-999	SQR JET BODY HOLE SAW	2-11/32"	300 SERIES SQR JET BODY, SQR AIR CONTROL
—	23028-999-999	SQR LED/AIR HOLE SAW	43/64"	SQR LED SPOT AND SQR AIR INJECTOR
—	29242-999-999	SQR JET BODY HOLE SAW	2-27/32"	400 SERIES SQR JET BODY, SQR 3" LIGHT
—	29252-999-999	SQR JET BODY & 5" LIGHT HOLE SAW	3-31/32"	500 SERIES SQR JET BODY, 5" LIGHT, SUCTION
—	25156-999-999	SQR VALVE HOLE SAW	2-17/32"	SQR ON/OFF VALVE
—	25158-999-999	SQR VALVE HOLE SAW	3-23/32"	SQR 2" DIVERTER VALVE
—	25241-999-999	SQR CUP HOLDER HOLE SAW	2-31/32"	SQR CUP HOLDER
—	35453-999-999	SQR FILTER HOLE SAW	7-17/64"	SQR FILTER BODIES
—	23400-299-999	SQR SWIRL OZONE WALL HOLE SAW	1-3/8"	SQR SWIRL OZONE WALL FITTING
—	23400-209-999	SQR SWIRL OZONE WRENCH	1-3/8"	SQR SWIRL OZONE WALL FITTING
—	25200-999-999	SQR SUCTION INSTALLATION TOOL	—	SQR SUCTION WALLFITTING
D	25156-299-999	SQR ON/OFF GO/NO-GO GAUGE	3/4" & 1"	SQR ON/OFF VALVE
—	25158-299-999	SQR DIVERTER GO/NO-GO GAUGE	2"	SQR DIVERTER VALVE
—	29222-299-999	SQR 200 SERIES GO/NO-GO GAUGE	2"	200 SERIES SQR JET BODY, SPA LAMINAR
—	29232-299-999	SQR 300 SERIES GO/NO-GO GAUGE	3"	300 SERIES SQR JET BODY, AIR CONTROL
—	29242-299-999	SQR 400 SERIES GO/NO-GO GAUGE	4"	400 SERIES SQR JET BODY, SQR 3" LIGHT
—	29252-299-999	SQR 500 SERIES GO/NO-GO GAUGE	5"	500 SERIES WHIRLPOOL SQR BODY
—	35453-299-999	SQR FILTER GO/NO-GO GAUGE	—	SQR TOP MOUNT SKIM FILTER

IMPORTANT: SQR "Puller" tools require 2017 and after bodies.

To confirm Puller-Compatible SQR jet bodies, contact your CMP Sales Representative. (c-m-p.com/spa-reps)

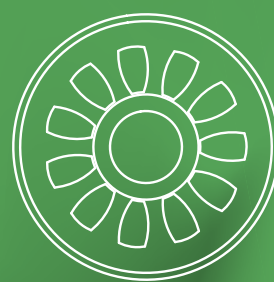


AIR X[®]

AIR X TECHNOLOGY 30

AIR X DESIGN 31

AIR X SYSTEM 32

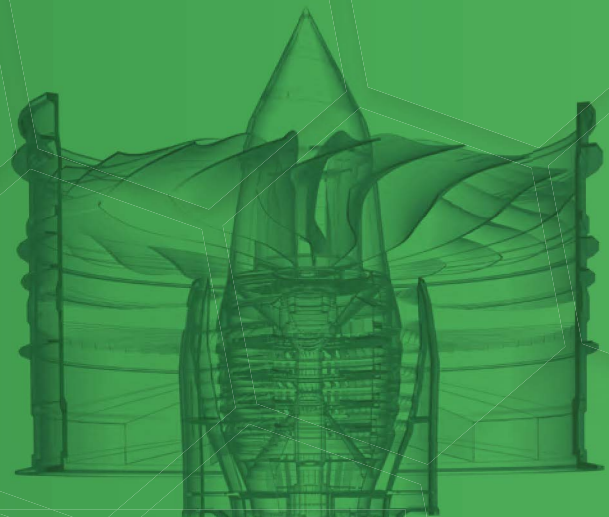


COVERED BY ONE OR MORE U.S. PATENT APPLICATIONS. SEE WWW.C-M-P.COM/PATENTS FOR DETAILS.

AIR X®

A completely new soft tissue hot tub therapy experience.

Air X® infuses the soft feel of air and water with a kinetic power derived from jet engine technology. Spa jets can offer power and precision, but Air X is something completely different. Utilizing Airnetic® engineering, Air X multiplies the air output for a jet stream that is both soft and powerful.



JET ENGINE INSPIRED



Precision Soft Tissue Massage

Air X targets sensitive areas with passive and targeted air therapy.



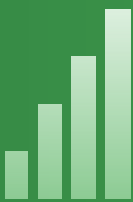
POLYNETIC: EVEN, POWERFUL FLOW



TRINETIC: TARGETED THERAPY

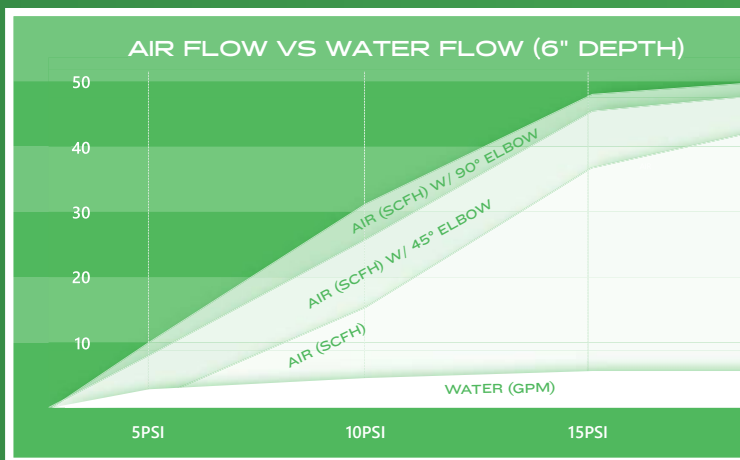


BINETIC: DUAL WIDE FLOW PATTERN



High Volume Dynamics

Typical jets are at best an 80% water and 20% air mix. Air X draws up to 80% air and 20% water.



PEARL WHITE FLANGE & COLORFUL NOZZLES



COLOR MATCHED AIR CONTROLS



THREE TRIM RING STYLES



SMOOTH THERAPY RING

Gentle skin stimulation & reflexology, prevents Air X nozzle blockage during use.

SCALLOPED THERAPY RING

Dynamic stimulation & reflexology, prevents Air X nozzle blockage during use.

LOW PROFILE ACCENT RING

Stylish stainless steel ring that sits below the Air X nozzle level.



+



+



Air X Nozzle/Flange Assy
White or Stainless Steel Flange

Air X Body & Wall Fitting Assy
Straight or Elbow Options

Optional Trim Rings
Smooth, Scalloped or Low Profile

AIR X® SYSTEM



IMPORTANT

- Air X Nozzle Assembly, Body Assembly & CVF Air Control Required for Operation
- Therapy Rings Sold Separately



ORDERING GUIDE

REF	AIR X® GREEN	GRAPHITE GRAY	SILVER GRAY	SCARLET RED	MIDNIGHT BLUE	DESCRIPTION	FLANGE STYLE
NOZZLE ASSY AND CONTROLS							
A	23512-331-400	23512-331-000	23512-331-500	23512-331-200	23512-331-300	TRINETIC	PEARL WHITE
B	23512-311-400	23512-311-000	23512-311-500	23512-311-200	23512-311-300	POLYNETIC	PEARL WHITE
C	23512-321-400	23512-321-000	23512-321-500	23512-321-200	23512-321-300	BINETIC	PEARL WHITE
D	23512-331-402	23512-331-002	23512-331-502	23512-331-202	23512-331-302	TRINETIC	S. STEEL NEW
E	23512-311-402	23512-311-002	23512-311-502	23512-311-202	23512-311-302	POLYNETIC	S. STEEL NEW
F	23512-321-402	23512-321-002	23512-321-502	23512-321-202	23512-321-302	BINETIC	S. STEEL NEW
G	25059-214-000	25059-210-000	25059-215-000	25059-212-000	25059-213-000	AIR CONTROL	N/A

REF	CMP P/N	DESCRIPTION	FITTING SIZE
COMPONENTS			
H	23512-089-000	AIR X BODY, GASKET & WALL FITTING	1/2" SPIGOT
—	23512-189-000	AIR X BODY, WALL FITTING, GASKET & 90° ADAPTER	3/4" SB
—	23512-289-000	AIR X BODY, WALL FITTING, GASKET & 90° ADAPTER	3/4" RB
I	23512-281-500	SMOOTH STAINLESS STEEL THERAPY RING	—
J	23512-291-500	SCALLOPED STAINLESS STEEL THERAPY RING	—
K	23512-301-000	LOW PROFILE STAINLESS STEEL ACCENT RING	—

ACCESSORIES			
—	23512-089-001	AIR X JET BODY ONLY (NO WALL FITTING OR GASKET)	—
—	21034-709-000	90 DEGREE SMOOTH BARB ADAPTER ONLY	1/2" S × 3/4" SB
—	21034-809-000	90 DEGREE RIBBED BARB ADAPTER ONLY	1/2" S × 3/4" RB
—	23512-089-002	CLEAR GASKET ONLY	—
—	23512-089-003	AIR X WALL FITTING ONLY	—
—	23512-109-101	AIR X PEARL WHITE FLANGE ONLY	—
—	23512-109-102	304 STAINLESS STEEL TWIST-LOCK FLANGE ONLY NEW	—
—	23512-999-999	INSTALLATION TOOL FOR AIR X WALL FITTING	—
—	23512-999-900	4-WAY INSTALLATION TOOL FOR AIR X WALL FITTING & JET FACES NEW	—

PRO-LOC™ JET SYSTEM



A NEW TWIST ON JET PERFORMANCE

PATENTED LOCKING SYSTEM

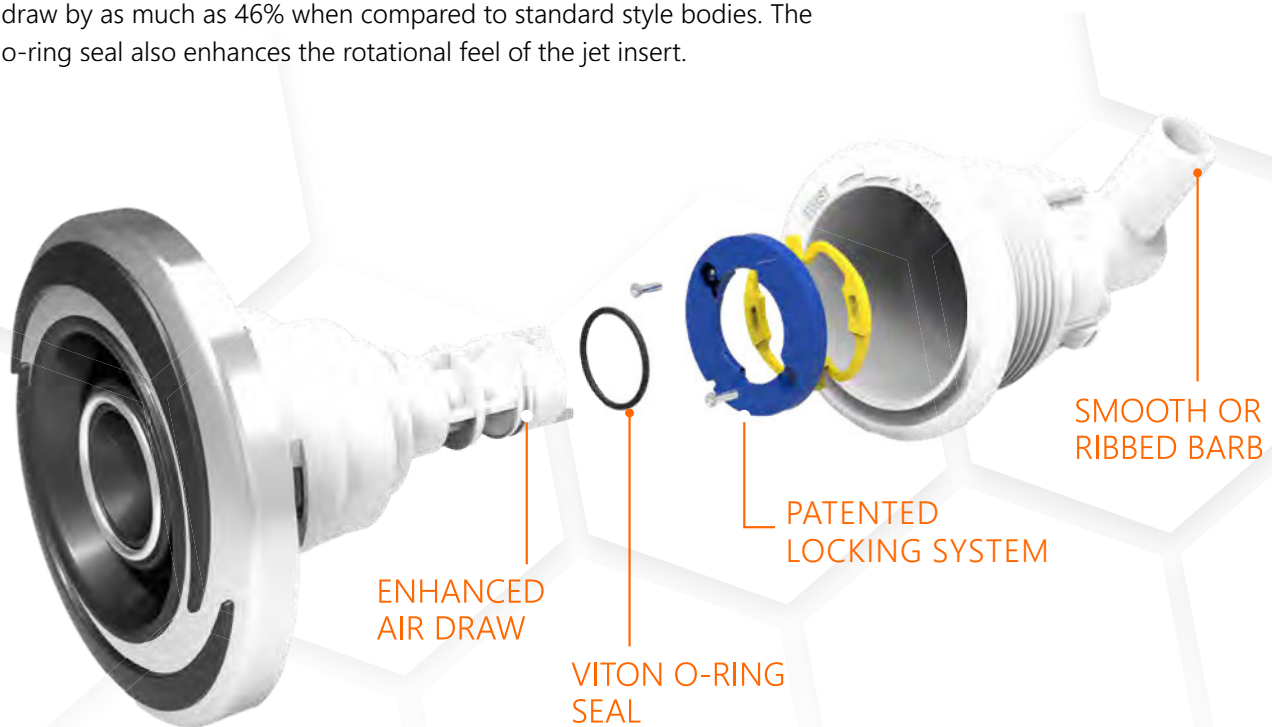
The innovative Pro-Loc mechanism ensures positive engagement between insert and body for optimal performance. The CMP Pro-Loc design also allows for easy installation and removal of jet inserts.

HIGH PERFORMANCE POLYPROPYLENE DIFFUSER

The polypropylene diffuser design is highly chemical resistant. The Pro-Loc attachment design also improves insert strength and durability.

VITON O-RING SEAL

All Pro-Loc jets feature a Viton o-ring that improves vacuum and air draw by as much as 46% when compared to standard style bodies. The o-ring seal also enhances the rotational feel of the jet insert.



PRO-LOC VS TYPHOON REPLACEMENT & IDENTIFICATION GUIDE PAGE 84

COVERED BY ONE OR MORE U.S. PATENTS OR PATENT PENDING APPLICATIONS. SEE WWW.C-M-P.COM/PATENTS FOR DETAILS.



HALO STAINLESS STEEL
PAGE 38



HALO ACCENT
PAGE 42



HALO ACCENT DUO TONE
PAGE 43



PRIME
PAGE 44



LEAF STAINLESS STEEL
PAGE 47



FIVE SPOKE GRAPHITE GRAY
PAGE 49



FIVE SPOKE STAINLESS STEEL
PAGE 49



WAVE GRAPHITE GRAY
PAGE 52



WAVE ACCENT
PAGE 53



CROWN GRAPHITE GRAY
PAGE 58



CROWN ACCENT
PAGE 59



DIAMOND TEXTURED
PAGE 62

HALO™ JETS THERAPY OPTIONS



200 SERIES
DIRECTIONAL



200 SERIES
MASSAGE



200 SERIES
VTX



200 SERIES
BEARINGLESS ROTO



300 SERIES
DIRECTIONAL



300 SERIES
MASSAGE



300 SERIES
VTX



300 SERIES
SINGLE ROTO



300 SERIES
DOUBLE ROTO



300 SERIES
BEARINGLESS SINGLE ROTO



300 SERIES
BEARINGLESS DOUBLE ROTO



300 SERIES
QUAD ROTO



400 SERIES
DIRECTIONAL



400 SERIES
MASSAGE



400 SERIES
VTX



400 SERIES
SINGLE ROTO



400 SERIES
DOUBLE ROTO

QUAD ROTO IS COVERED BY ONE OR MORE U.S. PATENTS APPLICATIONS. SEE WWW.C-M-P.COM/PATENTS FOR DETAILS.

HALO™ JETS THERAPY OPTIONS

PRO-LOC
HYDROTHERAPY

SPA JETS | HALO JET COLLECTION



400 SERIES
BEARINGLESS SINGLE ROTO



400 SERIES
BEARINGLESS DOUBLE ROTO



400 SERIES
QUAD ROTO



500 SERIES
DIRECTIONAL



500 SERIES
MASSAGE / 14-PORT
ROTOSSAGE



500 SERIES
VTX



500 SERIES
SINGLE ROTO



500 SERIES
DOUBLE ROTO



500 SERIES
ROTOPULSE



500 SERIES
7-PORT
ROTOSSAGE



500 SERIES
BEARINGLESS SINGLE ROTO



500 SERIES
BEARINGLESS DOUBLE ROTO

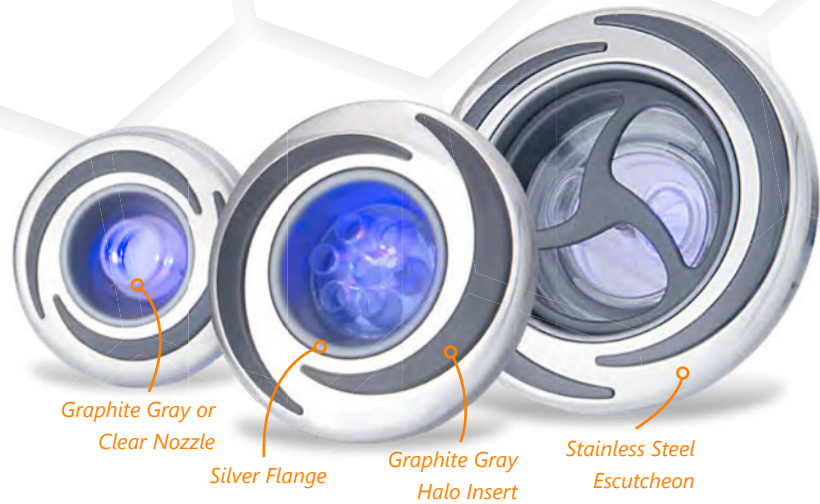


500 SERIES
QUAD ROTO

STAINLESS STEEL COLLECTION

PRODUCT FEATURES

- High Polish Stainless Steel
- Two Tone Color Design
- Graphite Gray or Clear Nozzles
- Superior "Fit and Finish"
- Pro-Loc™ Jet System
- 2-3/16 Size for SQR
- 200 Series SE Styles



ORDERING GUIDE

CMP P/N	JET STYLE	SERIES	JET SIZE	NOZZLE COLOR	NOZZLE RING	BOX / BAG
HALO STAINLESS STEEL PRO-LOC JET INTERNALS						
29520-011-500	DIRECTIONAL	200	2"	GRAPHITE GRAY	—	400/50
29520-011-700	DIRECTIONAL	200	2"	CLEAR / LED	—	400/50
29520-111-500	DIRECTIONAL	200	2-3/16"	GRAPHITE GRAY	—	400/50
29520-311-500	3" SPECIAL EDITION DIRECTIONAL	200	3-5/16"	GRAPHITE GRAY	—	400/50
29520-611-500	100% SHUT OFF DIRECTIONAL	200	2"	GRAPHITE GRAY	—	400/50
29520-611-700	100% SHUT OFF DIRECTIONAL	200	2"	CLEAR / LED	—	400/50
29520-041-500	MASSAGE	200	2"	GRAPHITE GRAY	—	400/50
29520-041-700	MASSAGE	200	2"	CLEAR / LED	—	400/50
29520-141-500	MASSAGE	200	2-3/16"	GRAPHITE GRAY	—	400/50
29520-341-500	MASSAGE NEW	200	3-5/16"	GRAPHITE GRAY	—	400/50
29520-021-500	BEARINGLESS ROTO	200	2"	GRAPHITE GRAY	—	400/50
29520-021-700	BEARINGLESS ROTO	200	2"	CLEAR / LED	—	400/50
29520-121-500	BEARINGLESS ROTO	200	2-3/16"	GRAPHITE GRAY	—	400/50
29520-321-500	BEARINGLESS ROTO	200	3-5/16"	GRAPHITE GRAY	—	400/50
29530-111-550	DIRECTIONAL	300	3"	GRAPHITE GRAY	SILVER	240/40
29530-111-500	DIRECTIONAL	300	3"	GRAPHITE GRAY	STAINLESS	240/40
29530-111-700	DIRECTIONAL	300	3"	CLEAR / LED	SILVER	240/40
29530-111-750	DIRECTIONAL	300	3"	CLEAR / LED	STAINLESS	240/40
29530-011-550	DIRECTIONAL	300	3-5/16"	GRAPHITE GRAY	SILVER	240/40
29530-011-500	DIRECTIONAL	300	3-5/16"	GRAPHITE GRAY	STAINLESS	240/40
29530-011-700	DIRECTIONAL	300	3-5/16"	GRAPHITE GRAY	SILVER	240/40
29530-011-750	DIRECTIONAL	300	3-5/16"	GRAPHITE GRAY	STAINLESS	240/40
29530-141-500	MASSAGE	300	3"	GRAPHITE GRAY	—	240/40
29530-141-700	MASSAGE	300	3"	CLEAR / LED	—	240/40
29530-041-500	MASSAGE	300	3-5/16"	GRAPHITE GRAY	—	240/40
29530-041-700	MASSAGE	300	3-5/16"	CLEAR / LED	—	240/40
29530-111-520	VTX	300	3"	GRAPHITE GRAY	—	240/40
29530-111-720	VTX	300	3"	CLEAR / LED	—	240/40

FOR EXAMPLES OF ALL THERAPY NOZZLE STYLES SEE PAGE 36

CMP P/N	JET STYLE	SERIES	JET SIZE	NOZZLE COLOR	NOZZLE RING	BOX / BAG
HALO STAINLESS STEEL PRO-LOC JET INTERNALS						
29530-011-520	VTX	300	3-5/16"	GRAPHITE GRAY	—	240/40
29530-011-720	VTX	300	3-5/16"	CLEAR / LED	—	240/40
29530-121-500	SINGLE ROTO	300	3"	GRAPHITE GRAY	SPECIAL ORDER	240/40
29530-121-700	SINGLE ROTO	300	3"	CLEAR / LED	SPECIAL ORDER	240/40
29530-021-500	SINGLE ROTO	300	3-5/16"	GRAPHITE GRAY	SPECIAL ORDER	240/40
29530-021-700	SINGLE ROTO	300	3-5/16"	CLEAR / LED	SPECIAL ORDER	240/40
29530-131-500	DOUBLE ROTO	300	3"	GRAPHITE GRAY	SPECIAL ORDER	240/40
29530-131-700	DOUBLE ROTO	300	3"	CLEAR / LED	SPECIAL ORDER	240/40
29530-031-500	DOUBLE ROTO	300	3-5/16"	GRAPHITE GRAY	SPECIAL ORDER	240/40
29530-031-700	DOUBLE ROTO	300	3-5/16"	CLEAR / LED	SPECIAL ORDER	240/40
29530-181-500	BEARINGLESS ROTO	300	3"	GRAPHITE GRAY	—	240/40
29530-181-700	BEARINGLESS ROTO	300	3"	CLEAR / LED	—	240/40
29530-081-500	BEARINGLESS ROTO	300	3-5/16"	GRAPHITE GRAY	—	240/40
29530-081-700	BEARINGLESS ROTO	300	3-5/16"	CLEAR / LED	—	240/40
29530-191-500	BEARINGLESS DOUBLE ROTO	300	3"	GRAPHITE GRAY	—	240/40
29530-191-700	BEARINGLESS DOUBLE ROTO	300	3"	CLEAR / LED	—	240/40
29530-091-500	BEARINGLESS DOUBLE ROTO	300	3-5/16"	GRAPHITE GRAY	—	240/40
29530-091-700	BEARINGLESS DOUBLE ROTO	300	3-5/16"	CLEAR / LED	—	240/40
29530-101-500	QUAD ROTO	300	3"	GRAPHITE GRAY	—	240/40
29540-111-550	DIRECTIONAL	400	4"	GRAPHITE GRAY	SILVER	120/40
29540-111-500	DIRECTIONAL	400	4"	GRAPHITE GRAY	STAINLESS	120/40
29540-111-700	DIRECTIONAL	400	4"	CLEAR / LED	SILVER	120/40
29540-111-750	DIRECTIONAL	400	4"	CLEAR / LED	STAINLESS	120/40
29540-011-550	DIRECTIONAL	400	4-1/2"	GRAPHITE GRAY	SILVER	120/40
29540-011-500	DIRECTIONAL	400	4-1/2"	GRAPHITE GRAY	STAINLESS	120/40
29540-011-700	DIRECTIONAL	400	4-1/2"	CLEAR / LED	SILVER	120/40
29540-011-750	DIRECTIONAL	400	4-1/2"	CLEAR / LED	STAINLESS	120/40
29540-141-500	MASSAGE	400	4"	GRAPHITE GRAY	—	120/40
29540-141-700	MASSAGE	400	4"	CLEAR / LED	—	120/40
29540-041-500	MASSAGE	400	4-1/2"	GRAPHITE GRAY	—	120/40
29540-041-700	MASSAGE	400	4-1/2"	CLEAR / LED	—	120/40
29540-111-520	VTX	400	4"	GRAPHITE GRAY	—	120/40
29540-111-720	VTX	400	4"	CLEAR / LED	—	120/40
29540-011-520	VTX	400	4-1/2"	GRAPHITE GRAY	—	120/40
29540-011-720	VTX	400	4-1/2"	CLEAR / LED	—	120/40
29540-121-500	SINGLE ROTO	400	4"	GRAPHITE GRAY	SPECIAL ORDER	120/40
29540-121-700	SINGLE ROTO	400	4"	CLEAR / LED	SPECIAL ORDER	120/40
29540-021-500	SINGLE ROTO	400	4-1/2"	GRAPHITE GRAY	SPECIAL ORDER	120/40
29540-021-700	SINGLE ROTO	400	4-1/2"	CLEAR / LED	SPECIAL ORDER	120/40
29540-131-500	DOUBLE ROTO	400	4"	GRAPHITE GRAY	SPECIAL ORDER	120/40
29540-131-700	DOUBLE ROTO	400	4"	CLEAR / LED	SPECIAL ORDER	120/40
29540-031-500	DOUBLE ROTO	400	4-1/2"	GRAPHITE GRAY	SPECIAL ORDER	120/40
29540-031-700	DOUBLE ROTO	400	4-1/2"	CLEAR / LED	SPECIAL ORDER	120/40

CMP P/N	JET STYLE	SERIES	JET SIZE	NOZZLE COLOR	NOZZLE RING	BOX / BAG
HALO STAINLESS STEEL PRO-LOC JET INTERNALS						
29540-181-500	BEARINGLESS ROTO	400	4"	GRAPHITE GRAY	—	120/40
29540-181-700	BEARINGLESS ROTO	400	4"	CLEAR / LED	—	120/40
29540-081-500	BEARINGLESS ROTO	400	4-1/2"	GRAPHITE GRAY	—	120/40
29540-081-700	BEARINGLESS ROTO	400	4-1/2"	CLEAR / LED	—	120/40
29540-191-500	BEARINGLESS DOUBLE ROTO	400	4"	GRAPHITE GRAY	—	120/40
29540-191-700	BEARINGLESS DOUBLE ROTO	400	4"	CLEAR / LED	—	120/40
29540-091-500	BEARINGLESS DOUBLE ROTO	400	4-1/2"	GRAPHITE GRAY	—	120/40
29540-091-700	BEARINGLESS DOUBLE ROTO	400	4-1/2"	CLEAR / LED	—	120/40
29540-101-500	QUAD ROTO	400	4-1/2"	GRAPHITE GRAY	—	120/40
29550-011-550	DIRECTIONAL	500	5"	GRAPHITE GRAY	SILVER	60/20
29550-011-500	DIRECTIONAL	500	5"	GRAPHITE GRAY	STAINLESS	60/20
29550-011-700	DIRECTIONAL	500	5"	CLEAR / LED	SILVER	60/20
29550-011-750	DIRECTIONAL	500	5"	CLEAR / LED	STAINLESS	60/20
29560-011-500	6" DIRECTIONAL	500	6"	GRAPHITE GRAY	SILVER	60/20
29550-041-500	MASSAGE	500	5"	GRAPHITE GRAY	—	60/20
29550-041-700	MASSAGE	500	5"	CLEAR / LED	—	60/20
29550-071-500	14 PORT ROTOSSAGE	500	5"	GRAPHITE GRAY	—	60/20
29550-071-700	14 PORT ROTOSSAGE	500	5"	CLEAR / LED	—	60/20
29550-051-500	7-PORT ROTOSSAGE	500	5"	GRAPHITE GRAY	—	60/20
29550-051-700	7-PORT ROTOSSAGE	500	5"	CLEAR / LED	—	60/20
29550-011-520	VTX	500	5"	GRAPHITE GRAY	—	60/20
29550-011-720	VTX	500	5"	CLEAR / LED	—	60/20
29550-021-500	SINGLE ROTO	500	5"	GRAPHITE GRAY	SPECIAL ORDER	60/20
29550-021-700	SINGLE ROTO	500	5"	CLEAR / LED	SPECIAL ORDER	60/20
29550-031-500	DOUBLE ROTO	500	5"	GRAPHITE GRAY	SPECIAL ORDER	60/20
29550-031-700	DOUBLE ROTO	500	5"	CLEAR / LED	SPECIAL ORDER	60/20
29550-061-500	ROTOPULSE	500	5"	GRAPHITE GRAY	—	60/20
29550-061-700	ROTOPULSE	500	5"	CLEAR / LED	—	60/20
29550-081-500	BEARINGLESS ROTO	500	5"	GRAPHITE GRAY	—	60/20
29550-081-700	BEARINGLESS ROTO	500	5"	CLEAR / LED	—	60/20
29550-091-500	BEARINGLESS DOUBLE ROTO	500	5"	GRAPHITE GRAY	—	60/20
29550-091-700	BEARINGLESS DOUBLE ROTO	500	5"	CLEAR / LED	—	60/20
29550-101-500	QUAD ROTO	500	5"	GRAPHITE GRAY	—	60/20

FOR EXAMPLES OF ALL THERAPY NOZZLE STYLES SEE PAGE 36

IMPORTANT INFORMATION

STAINLESS STEEL ROTO NOZZLE RINGS

Single and double roto Spectrum jets are now available with nozzle rings as a Special Order option.

STAINLESS STEEL STYLE OPTIONS

Spectrum Stainless Steel jets are all stocked with Graphite Gray Halo and Silver Flanges. Nozzles are available in Graphite Gray or Clear.



WHIRLPOOL COLLECTION

PRODUCT FEATURES

- High Flow Whirlpool Jet Style
- Three Orifice Size Options
- Adjustable or Non-Adjustable
- Six Inch Size Option
- Gray or Clear Nozzles
- Fits Whirlpool Series Body 65



ORDERING GUIDE

CMP P/N	JET STYLE	SERIES	JET SIZE	NOZZLE COLOR	ORIFICE SIZE	BOX / BAG
HALO STAINLESS STEEL WHIRLPOOL PRO-LOC JET INTERNALS						
29550-501-500	ADJUSTABLE WHIRLPOOL	WP	5"	GRAPHITE GRAY	1" ORIFICE	60/20
29550-501-550	ADJUSTABLE WHIRLPOOL	WP	5"	GRAPHITE GRAY	1/2" ORIFICE	60/20
29550-501-575	ADJUSTABLE WHIRLPOOL	WP	5"	GRAPHITE GRAY	3/4" ORIFICE	60/20
29550-501-700	ADJUSTABLE WHIRLPOOL	WP	5"	CLEAR / LED	1" ORIFICE	60/20
29550-501-750	ADJUSTABLE WHIRLPOOL	WP	5"	CLEAR / LED	1/2" ORIFICE	60/20
29550-501-775	ADJUSTABLE WHIRLPOOL	WP	5"	CLEAR / LED	3/4" ORIFICE	60/20
29560-501-500	6" ADJUSTABLE WHIRLPOOL	WP	6"	GRAPHITE GRAY	1" ORIFICE	60/20
29550-511-500	NON-ADJUSTABLE WHIRLPOOL	WP	5"	GRAPHITE GRAY	1" ORIFICE	60/20
29550-511-550	NON-ADJUSTABLE WHIRLPOOL	WP	5"	GRAPHITE GRAY	1/2" ORIFICE	60/20
29550-511-575	NON-ADJUSTABLE WHIRLPOOL	WP	5"	GRAPHITE GRAY	3/4" ORIFICE	60/20
29550-511-700	NON-ADJUSTABLE WHIRLPOOL	WP	5"	CLEAR / LED	1" ORIFICE	60/20
29550-511-750	NON-ADJUSTABLE WHIRLPOOL	WP	5"	CLEAR / LED	1/2" ORIFICE	60/20
29550-511-775	NON-ADJUSTABLE WHIRLPOOL	WP	5"	CLEAR / LED	3/4" ORIFICE	60/20

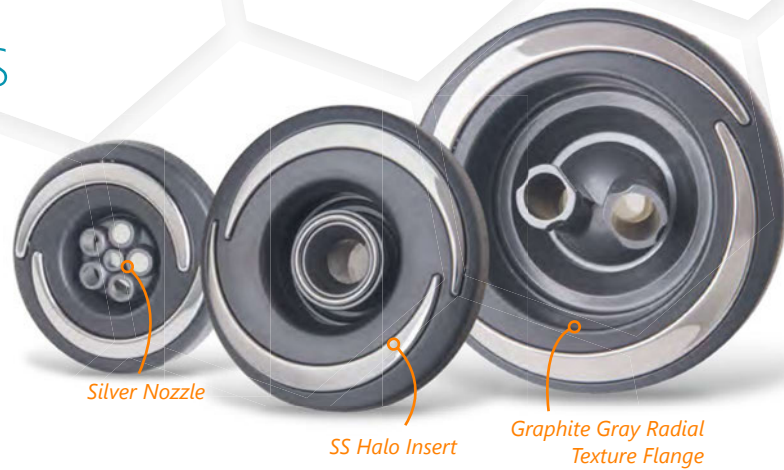


ALSO USE WITH THE WHIRLPOOL DIVERTER JET (PAGE 95)

ACCENT STAINLESS COLLECTION

PRODUCT FEATURES

- Exclusive Radial Texture
- High Polish Stainless Steel Halo Insert Design
- Pro-Loc™ Jet System
- Complete Program: Matching Halo Controls and Accessories



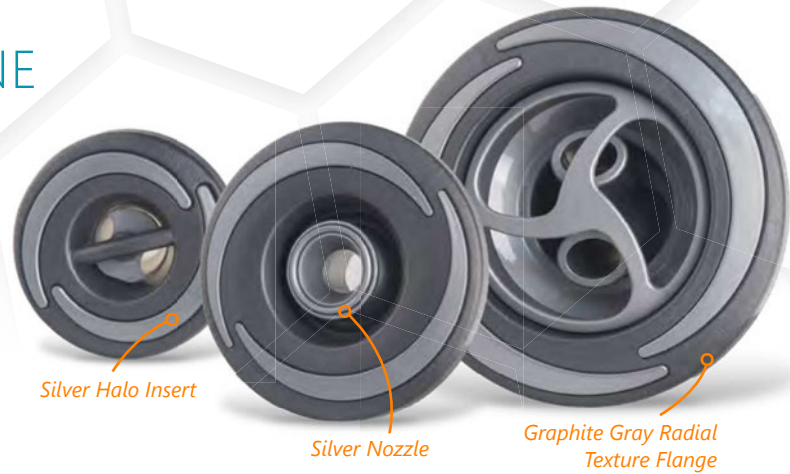
ORDERING GUIDE

CMP P/N	JET STYLE	SERIES	JET SIZE	NOZZLE COLOR	NOZZLE RING	BOX / BAG
HALO ACCENT STAINLESS PRO-LOC JET INTERNALS						
29420-011-600	DIRECTIONAL	200	2"	SILVER	—	400/50
29420-611-200	100% SHUT OFF DIRECTIONAL	200	2"	SILVER	—	400/50
29420-041-600	MASSAGE	200	2"	SILVER	—	400/50
29420-021-600	BEARINGLESS ROTO	200	2"	SILVER	—	400/50
29430-111-600	DIRECTIONAL	300	3"	SILVER	STAINLESS	240/40
29430-011-600	DIRECTIONAL	300	3-5/16"	SILVER	STAINLESS	240/40
29430-141-600	MASSAGE	300	3"	SILVER	—	240/40
29430-041-600	MASSAGE	300	3-5/16"	SILVER	—	240/40
29430-121-600	SINGLE ROTO	300	3"	SILVER	SPECIAL ORDER	240/40
29430-021-600	SINGLE ROTO	300	3-5/16"	SILVER	SPECIAL ORDER	240/40
29430-131-600	DOUBLE ROTO	300	3"	SILVER	SPECIAL ORDER	240/40
29430-031-600	DOUBLE ROTO	300	3-5/16"	SILVER	SPECIAL ORDER	240/40
29430-181-600	BEARINGLESS ROTO	300	3"	SILVER	—	240/40
29430-081-600	BEARINGLESS ROTO	300	3-5/16"	SILVER	—	240/40
29430-191-600	BEARINGLESS DOUBLE ROTO	300	3"	SILVER	—	240/40
29430-091-600	BEARINGLESS DOUBLE ROTO	300	3-5/16"	SILVER	—	240/40
29440-111-600	DIRECTIONAL	400	4"	SILVER	STAINLESS	120/40
29440-011-600	DIRECTIONAL	400	4-1/2"	SILVER	STAINLESS	120/40
29440-141-600	MASSAGE	400	4"	SILVER	—	120/40
29440-041-600	MASSAGE	400	4-1/2"	SILVER	—	120/40
29440-121-600	SINGLE ROTO	400	4"	SILVER	SPECIAL ORDER	120/40
29440-021-600	SINGLE ROTO	400	4-1/2"	SILVER	SPECIAL ORDER	120/40
29440-131-600	DOUBLE ROTO	400	4"	SILVER	SPECIAL ORDER	120/40
29440-031-600	DOUBLE ROTO	400	4-1/2"	SILVER	SPECIAL ORDER	120/40
29440-181-600	BEARINGLESS ROTO	400	4"	SILVER	—	120/40
29440-081-600	BEARINGLESS ROTO	400	4-1/2"	SILVER	—	120/40
29440-191-600	BEARINGLESS DOUBLE ROTO	400	4"	SILVER	—	120/40
29440-091-600	BEARINGLESS DOUBLE ROTO	400	4-1/2"	SILVER	—	120/40
29450-011-600	DIRECTIONAL	500	5"	SILVER	STAINLESS	60/20
29450-041-600	MASSAGE	500	5"	SILVER	—	60/20
29450-051-600	7-PORT ROTOSSAGE	500	5"	SILVER	—	60/20
29450-011-620	VTX	500	5"	SILVER	—	60/20
29450-021-600	SINGLE ROTO	500	5"	SILVER	SPECIAL ORDER	60/20
29450-031-600	DOUBLE ROTO	500	5"	SILVER	SPECIAL ORDER	60/20
29450-061-600	ROTOPULSE	500	5"	SILVER	—	60/20
29450-081-600	BEARINGLESS ROTO	500	5"	SILVER	—	60/20
29450-091-600	BEARINGLESS DOUBLE ROTO	500	5"	SILVER	—	60/20

ACCENT DUO-TONE COLLECTION

PRODUCT FEATURES

- Exclusive Radial Texture
- Two Tone Graphite and Silver Color Combination
- Pro-Loc™ Jet System
- Complete Program: Matching Halo Controls and Accessories



ORDERING GUIDE

CMP P/N	JET STYLE	SERIES	JET SIZE	NOZZLE COLOR	NOZZLE RING	BOX / BAG
HALO ACCENT DUO-TONE PRO-LOC JET INTERNALS						
29420-011-100	DIRECTIONAL	200	2"	SILVER	—	400/50
29420-041-100	MASSAGE	200	2"	SILVER	—	400/50
29420-021-100	BEARINGLESS ROTO	200	2"	SILVER	—	400/50
29430-111-100	DIRECTIONAL	300	3"	SILVER	SILVER	240/40
29430-141-100	MASSAGE	300	3"	SILVER	—	240/40
29430-041-100	MASSAGE	300	3-5/16"	SILVER	—	240/40
29430-121-100	SINGLE ROTO	300	3"	SILVER	SPECIAL ORDER	240/40
29430-021-100	SINGLE ROTO	300	3-5/16"	SILVER	SPECIAL ORDER	240/40
29430-131-100	DOUBLE ROTO	300	3"	SILVER	SPECIAL ORDER	240/40
29430-031-100	DOUBLE ROTO	300	3-5/16"	SILVER	SPECIAL ORDER	240/40
29430-181-100	BEARINGLESS ROTO	300	3"	SILVER	—	240/40
29430-081-100	BEARINGLESS ROTO	300	3-5/16"	SILVER	—	240/40
29430-191-100	BEARINGLESS DOUBLE ROTO	300	3"	SILVER	—	240/40
29430-091-100	BEARINGLESS DOUBLE ROTO	300	3-5/16"	SILVER	—	240/40
29440-111-100	DIRECTIONAL	400	4"	SILVER	SILVER	120/40
29440-011-100	DIRECTIONAL	400	4-1/2"	SILVER	SILVER	120/40
29440-141-100	MASSAGE	400	4"	SILVER	—	120/40
29440-041-100	MASSAGE	400	4-1/2"	SILVER	—	120/40
29440-121-100	SINGLE ROTO	400	4"	SILVER	SPECIAL ORDER	120/40
29440-021-100	SINGLE ROTO	400	4-1/2"	SILVER	SPECIAL ORDER	120/40
29440-131-100	DOUBLE ROTO	400	4"	SILVER	SPECIAL ORDER	120/40
29440-031-100	DOUBLE ROTO	400	4-1/2"	SILVER	SPECIAL ORDER	120/40
29440-181-100	BEARINGLESS ROTO	400	4"	SILVER	—	120/40
29440-081-100	BEARINGLESS ROTO	400	4-1/2"	SILVER	—	120/40
29440-191-100	BEARINGLESS DOUBLE ROTO	400	4"	SILVER	—	120/40
29440-091-100	BEARINGLESS DOUBLE ROTO	400	4-1/2"	SILVER	—	120/40
29450-011-100	DIRECTIONAL	500	5"	SILVER	SILVER	60/20
29450-041-100	MASSAGE	500	5"	SILVER	—	60/20
29450-051-100	7-PORT ROTOSSAGE	500	5"	SILVER	—	60/20
29450-021-100	SINGLE ROTO	500	5"	SILVER	SPECIAL ORDER	60/20
29450-031-100	DOUBLE ROTO	500	5"	SILVER	SPECIAL ORDER	60/20
29450-061-100	ROTOPULSE	500	5"	SILVER	—	60/20
29450-081-100	BEARINGLESS ROTO	500	5"	SILVER	—	60/20
29450-091-100	BEARINGLESS DOUBLE ROTO	500	5"	SILVER	—	60/20

PRIME JETS

PRO-LOC
THE SPECIALISTPRIME
COLLECTION

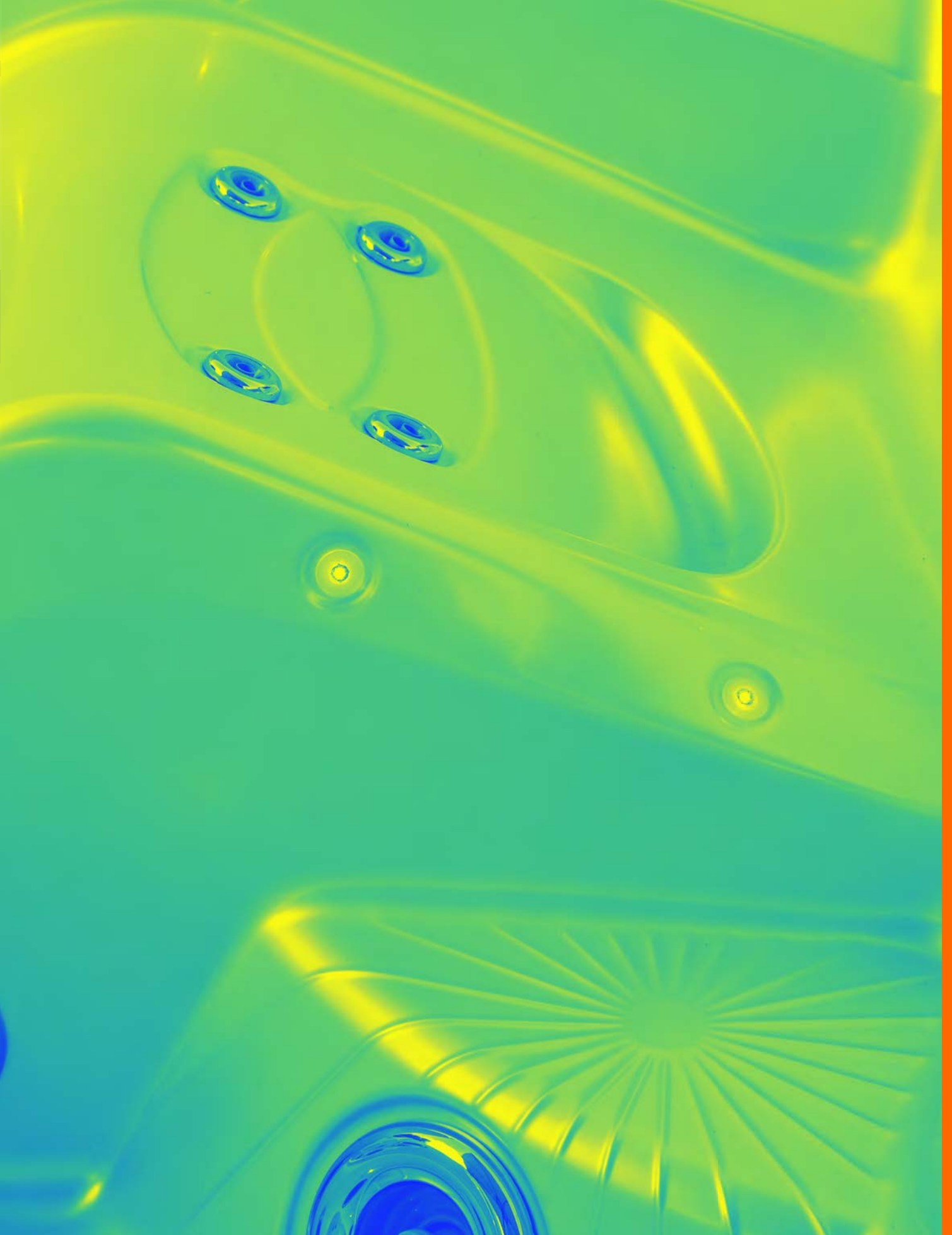
PRODUCT FEATURES

- Elegant, Classic Style
- High Polish Stainless Steel Finish
- Pro-Loc™ Jet System



ORDERING GUIDE

CMP P/N	JET STYLE	SERIES	JET SIZE	NOZZLE COLOR	NOZZLE RING	BOX / BAG
PRIME PRO-LOC JET INTERNALS						
29523-012-100	DIRECTIONAL	200	2"	GRAPHITE	—	400/50
29833-119-000	3" SPECIAL EDITION DIRECTIONAL NEW	200	3"	GRAPHITE	STAINLESS	400/50
29833-019-000	DIRECTIONAL	200	3-5/16"	GRAPHITE	STAINLESS	400/50
29523-042-100	MASSAGE	200	2"	GRAPHITE	—	400/50
29833-149-000	3" SPECIAL EDITION MASSAGE NEW	200	3"	GRAPHITE	STAINLESS	400/50
29833-049-000	MASSAGE	200	3-5/16"	GRAPHITE	—	400/50
29523-022-100	BEARINGLESS ROTO	200	2"	GRAPHITE	—	400/50
29833-129-000	3" SPECIAL EDITION BEARINGLESS ROTO NEW	200	3"	GRAPHITE	STAINLESS	400/50
29833-029-000	BEARINGLESS ROTO	200	3-5/16"	GRAPHITE	—	400/50
29533-112-100	DIRECTIONAL	300	3"	GRAPHITE	STAINLESS	240/40
29533-012-100	DIRECTIONAL	300	3-5/16"	GRAPHITE	STAINLESS	240/40
29533-142-100	MASSAGE	300	3"	GRAPHITE	—	240/40
29533-042-100	MASSAGE	300	3-5/16"	GRAPHITE	—	240/40
29533-192-100	DOUBLE ROTO	300	3"	GRAPHITE	SPECIAL ORDER	240/40
29533-092-100	BEARINGLESS DOUBLE ROTO	300	3-5/16"	GRAPHITE	—	240/40
29543-112-100	DIRECTIONAL	400	4"	GRAPHITE	STAINLESS	120/40
29543-012-100	DIRECTIONAL	400	4-1/2"	GRAPHITE	STAINLESS	120/40
29543-142-100	MASSAGE	400	4"	GRAPHITE	—	120/40
29543-042-100	MASSAGE	400	4-1/2"	GRAPHITE	—	120/40
29543-192-100	BEARINGLESS DOUBLE ROTO	400	4"	GRAPHITE	—	120/40
29543-092-100	BEARINGLESS DOUBLE ROTO	400	4-1/2"	GRAPHITE	—	120/40
29553-012-100	DIRECTIONAL	500	5"	GRAPHITE	STAINLESS	60/20
29553-012-100	6" DIRECTIONAL	500	6"	GRAPHITE	STAINLESS	60/20
29553-042-100	MASSAGE	500	5"	GRAPHITE	—	60/20
29563-042-100	6" MASSAGE	500	5"	GRAPHITE	—	60/20
29553-052-100	7-PORT ROTOSSAGE	500	5"	GRAPHITE	—	60/20
29553-022-100	SINGLE ROTO	500	5"	GRAPHITE	STAINLESS	60/20
29563-022-100	6" SINGLE ROTO	500	6"	GRAPHITE	STAINLESS	60/20
29553-062-100	ROTOPULSE	500	5"	GRAPHITE	—	60/20
29553-092-100	BEARINGLESS DOUBLE ROTO	500	5"	GRAPHITE	—	60/20
29563-092-100	6" BEARINGLESS DOUBLE ROTO	500	6"	GRAPHITE	—	60/20
29553-502-100	ADJUSTABLE WHIRLPOOL JET	WP	5"	GRAPHITE	—	60/20



LEAF™ JETS THERAPY OPTIONS



200 SERIES
DIRECTIONAL



200 SERIES
BEARINGLESS SINGLE ROTO



300 SERIES
DIRECTIONAL



300 SERIES
SINGLE ROTO



300 SERIES
QUAD ROTO



400 SERIES
DIRECTIONAL



400 SERIES
SINGLE ROTO



400 SERIES
QUAD ROTO



500 SERIES
DIRECTIONAL



500 SERIES
MASSAGE



500 SERIES
SINGLE ROTO



500 SERIES
QUAD ROTO



WHIRLPOOL
ADJUSTABLE

LEAF COLLECTION

PRODUCT FEATURES

- Stylish Jet with Exciting Layers of Motion
- Stainless Steel with Graphite Gray
- Pro-Loc™ Jet System



Silver Flange

Graphite Gray Nozzle

High Polish Stainless Steel

ORDERING GUIDE

CMP P/N	JET STYLE	SERIES	JET SIZE	NOZZLE COLOR	NOZZLE RING	BOX / BAG
LEAF PRO-LOC JET INTERNALS						
29527-011-500	DIRECTIONAL	200	2-1/4"	GRAPHITE GRAY	STAINLESS	400/50
29211-001-500	CLUSTER DIRECTIONAL	200	2-1/4"	GRAPHITE GRAY	STAINLESS	400/50
29527-021-500	BEARINGLESS SINGLE ROTO	200	2-1/4"	GRAPHITE GRAY	STAINLESS	400/50
29537-111-500	DIRECTIONAL	300	3-1/4"	GRAPHITE GRAY	STAINLESS	240/40
29537-011-500	DIRECTIONAL	300	3-3/5"	GRAPHITE GRAY	STAINLESS	240/40
29537-121-500	SINGLE ROTO	300	3-1/4"	GRAPHITE GRAY	STAINLESS	240/40
29537-101-500	QUAD ROTO	300	3-1/4"	GRAPHITE GRAY	STAINLESS	240/40
29537-001-500	QUAD ROTO	300	3-3/5"	GRAPHITE GRAY	STAINLESS	240/40
29547-111-500	DIRECTIONAL	400	4-1/4"	GRAPHITE GRAY	STAINLESS	120/40
29547-011-500	DIRECTIONAL	400	4-3/5"	GRAPHITE GRAY	STAINLESS	120/40
29547-121-500	SINGLE ROTO	400	4-1/4"	GRAPHITE GRAY	STAINLESS	120/40
29547-021-500	SINGLE ROTO	400	4-3/5"	GRAPHITE GRAY	STAINLESS	120/40
29547-101-500	QUAD ROTO	400	4-1/4"	GRAPHITE GRAY	STAINLESS	120/40
29547-001-500	QUAD ROTO	400	4-3/5"	GRAPHITE GRAY	STAINLESS	120/40
29557-011-500	DIRECTIONAL	500	5-1/4"	GRAPHITE GRAY	STAINLESS	60/20
29557-041-500	MASSAGE	500	5-1/4"	GRAPHITE GRAY	STAINLESS	60/20
29557-021-500	SINGLE ROTO	500	5-1/4"	GRAPHITE GRAY	STAINLESS	60/20
29557-001-500	QUAD ROTO	500	5-1/4"	GRAPHITE GRAY	STAINLESS	60/20
29557-501-500	ADJUSTABLE WHIRLPOOL JET	WP	5-1/4"	GRAPHITE GRAY	STAINLESS	60/20



COVERED BY ONE OR MORE U.S. PATENTS OR PATENT PENDING APPLICATIONS. SEE WWW.C-M-P.COM/PATENTS FOR DETAILS.

FIVE SPOKE™ JETS THERAPY OPTIONS



200 SERIES
DIRECTIONAL



300 SERIES
DIRECTIONAL



300 SERIES
SINGLE ROTO



400 SERIES
DIRECTIONAL



400 SERIES
SINGLE ROTO



500 SERIES
DIRECTIONAL



500 SERIES
SINGLE ROTO

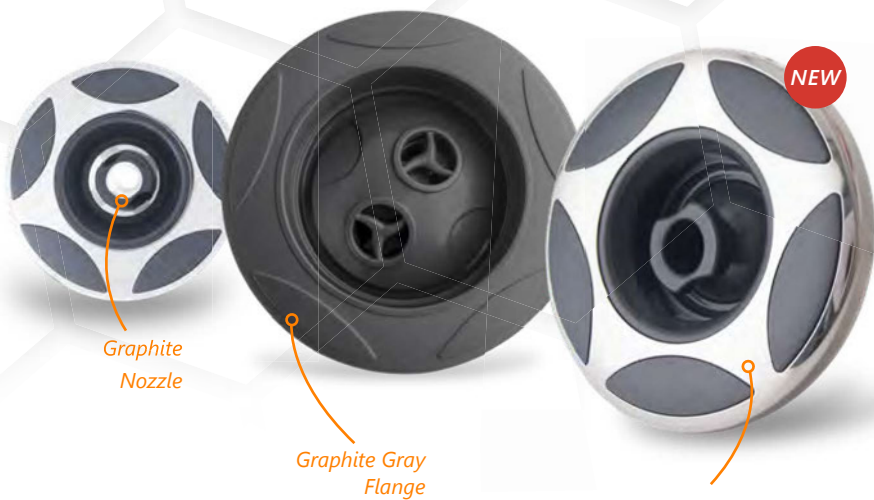


500 SERIES
ROTOPULSE

FIVE SPOKE COLLECTION

PRODUCT FEATURES

- Dynamic Style, Ringed in Stainless Steel Finish
- Graphite Gray Plastic Option Available
- Pro-Loc™ Jet System



ORDERING GUIDE

CMP P/N	JET STYLE	SERIES	JET SIZE	NOZZLE COLOR	NOZZLE RING	BOX / BAG
FIVE SPOKE STAINLESS STEEL PRO-LOC JET INTERNALS						
29527-012-700	DIRECTIONAL	200	2"	GRAPHITE GRAY	STAINLESS	400/50
29537-012-700	DIRECTIONAL	300	3-5/16"	GRAPHITE GRAY	STAINLESS	240/40
29537-022-700	SINGLE ROTO	300	3-5/16"	GRAPHITE GRAY	STAINLESS	240/40
29537-022-790	SINGLE ROTO	300	3-5/16"	GRAPHITE GRAY	STAINLESS	240/40
29547-012-700	DIRECTIONAL	400	4-1/2"	GRAPHITE GRAY	STAINLESS	120/40
29547-022-700	SINGLE ROTO	400	4-1/2"	GRAPHITE GRAY	STAINLESS	120/40
29557-012-700	RIBBED DIRECTIONAL	500	5"	GRAPHITE GRAY	STAINLESS	60/20
29557-022-700	SINGLE ROTO	500	5"	GRAPHITE GRAY	STAINLESS	60/20
29557-062-700	ROTOPULSE	500	5"	GRAPHITE GRAY	STAINLESS	60/20
FIVE SPOKE GRAPHITE GRAY PRO-LOC JET INTERNALS						
29537-017-090	DIRECTIONAL	300	3-5/16"	GRAPHITE GRAY	—	240/40
29537-027-000	SINGLE ROTO	300	3-5/16"	GRAPHITE GRAY	—	240/40
29547-017-000	DIRECTIONAL	400	4-1/2"	GRAPHITE GRAY	—	120/40
29557-067-000	ROTOPULSE	500	5"	GRAPHITE GRAY	—	60/20



WAVE™ JETS THERAPY OPTIONS



200 SERIES
DIRECTIONAL



200 SERIES
MASSAGE



200 SERIES
BEARINGLESS ROTO



300 SERIES
DIRECTIONAL



300 SERIES
MASSAGE



300 SERIES
VTX



300 SERIES
SINGLE ROTO



300 SERIES
DOUBLE ROTO



300 SERIES
BEARINGLESS SINGLE ROTO



300 SERIES
BEARINGLESS DOUBLE ROTO



400 SERIES
DIRECTIONAL



400 SERIES
MASSAGE



400 SERIES
VTX



400 SERIES
SINGLE ROTO

WAVE™ JETS THERAPY OPTIONS



400 SERIES
DOUBLE ROTO



400 SERIES
BEARINGLESS SINGLE ROTO



400 SERIES
BEARINGLESS DOUBLE ROTO



500 SERIES
DIRECTIONAL



500 SERIES
MASSAGE / 14-PORT ROTOSSAGE



500 SERIES
VTX



500 SERIES
SINGLE ROTO



500 SERIES
DOUBLE ROTO



500 SERIES
ROTOPULSE



500 SERIES
7-PORT ROTOSSAGE



500 SERIES
BEARINGLESS SINGLE ROTO



500 SERIES
BEARINGLESS DOUBLE ROTO

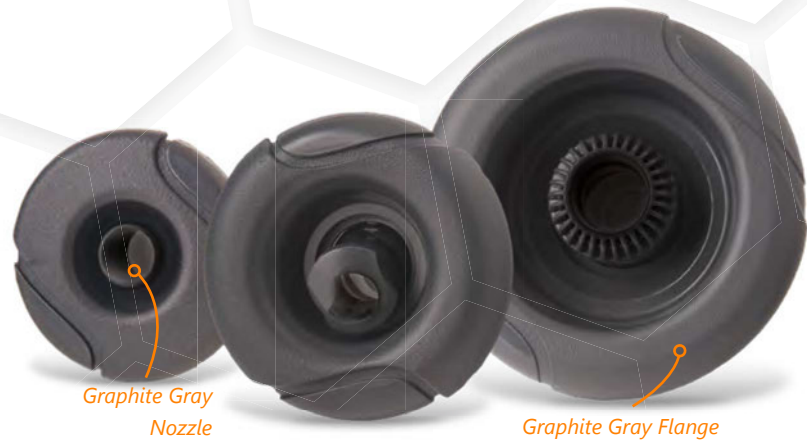


WHIRLPOOL
ADJUSTABLE/NON-ADJUSTABLE

WAVE GRAPHITE COLLECTION

PRODUCT FEATURES

- Popular Wave Design
- Graphite Gray Nozzles
- Complete Jet Collection
- Matching Wave and "S" Style Topside Control



Graphite Gray
Nozzle

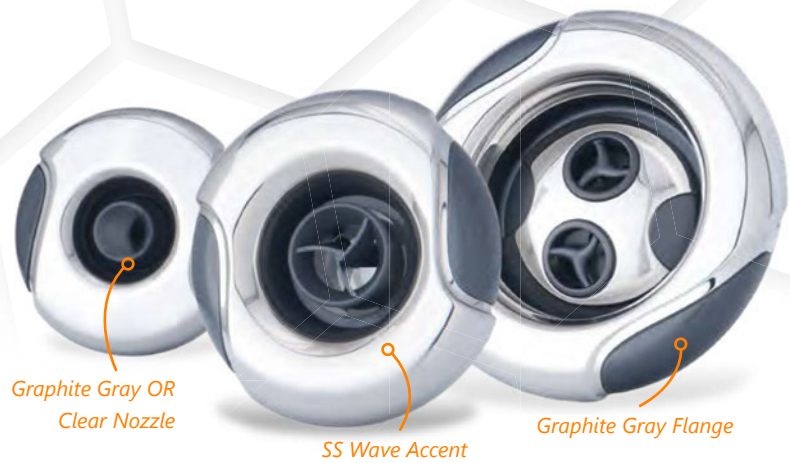
Graphite Gray Flange

CMP P/N	JET STYLE	SERIES	JET SIZE	BOX / BAG
WAVE GRAPHITE GRAY PRO-LOC JET INTERNALS				
29125-017-000	DIRECTIONAL	200	2"	400/50
29125-617-000	100% SHUT OFF DIRECTIONAL	200	2"	400/50
29125-027-000	BEARINGLESS ROTO	200	2"	400/50
29125-047-000	MASSAGE	200	2"	400/50
29135-117-000	DIRECTIONAL	300	3"	240/40
29135-017-000	DIRECTIONAL	300	3-5/16"	240/40
29135-147-000	MASSAGE	300	3"	240/40
29135-047-000	MASSAGE	300	3-5/16"	240/40
29135-117-720	VTX	300	3"	240/40
29135-017-720	VTX	300	3-5/16"	240/40
29135-127-000	SINGLE ROTO	300	3"	240/40
29135-027-000	SINGLE ROTO	300	3-5/16"	240/40
29135-137-000	DOUBLE ROTO	300	3"	240/40
29135-037-000	DOUBLE ROTO	300	3-5/16"	240/40
29135-187-000	BEARINGLESS ROTO	300	3"	240/40
29135-087-000	BEARINGLESS ROTO	300	3-5/16"	240/40
29135-191-000	BEARINGLESS DOUBLE ROTO	300	3"	240/40
29135-097-000	BEARINGLESS DOUBLE ROTO	300	3-5/16"	240/40
29145-117-000	DIRECTIONAL	400	4"	120/40
29145-017-000	DIRECTIONAL	400	4-3/8"	120/40
29145-147-000	MASSAGE	400	4"	120/40
29145-047-000	MASSAGE	400	4-3/8"	120/40
29145-117-720	VTX	400	4"	120/40
29145-017-720	VTX	400	4-3/8"	120/40
29145-127-000	SINGLE ROTO	400	4"	120/40
29145-027-000	SINGLE ROTO	400	4-3/8"	120/40
29145-137-000	DOUBLE ROTO	400	4"	120/40
29145-037-000	DOUBLE ROTO	400	4-3/8"	120/40
29145-187-000	BEARINGLESS ROTO	400	4"	120/40
29145-087-000	BEARINGLESS ROTO	400	4-3/8"	120/40
29145-197-000	BEARINGLESS DOUBLE ROTO	400	4"	120/40
29145-097-000	BEARINGLESS DOUBLE ROTO	400	4-3/8"	120/40
29155-017-000	DIRECTIONAL	500	5"	60/20
29155-047-000	MASSAGE	500	5"	60/20
29155-077-000	14 PORT ROTOSSAGE	500	5"	60/20
29155-057-000	7-PORT ROTOSSAGE	500	5"	60/20
29155-017-720	VTX	500	5"	60/20
29155-027-000	SINGLE ROTO	500	5"	60/20
29155-037-000	DOUBLE ROTO	500	5"	60/20
29155-067-000	ROTOPULSE	500	5"	60/20
29155-087-000	BEARINGLESS ROTO	500	5"	60/20
29155-097-000	BEARINGLESS DOUBLE ROTO	500	5"	60/20

WAVE SS ACCENT COLLECTION

PRODUCT FEATURES

- Stylish Stainless Steel Wave Design Accent
- Clear/LED Nozzles Option
- Matching Wave and "S" Style Topside Control



CMP P/N	JET STYLE	SERIES	JET SIZE	NOZZLE COLOR	BOX / BAG
WAVE STAINLESS STEEL PRO-LOC JET INTERNALS					
29125-012-700	DIRECTIONAL	200	2"	GRAPHITE GRAY	400/50
29125-012-999	DIRECTIONAL	200	2"	CLEAR / LED	400/50
29125-612-700	100% SHUT OFF DIRECTIONAL	200	2"	GRAPHITE GRAY	400/50
29125-612-999	100% SHUT OFF DIRECTIONAL	200	2"	CLEAR / LED	400/50
29125-022-700	BEARINGLESS ROTO	200	2"	GRAPHITE GRAY	400/50
29125-022-999	BEARINGLESS ROTO	200	2"	CLEAR / LED	400/50
29125-042-700	MASSAGE	200	2"	GRAPHITE GRAY	400/50
29125-042-999	MASSAGE	200	2"	CLEAR / LED	400/50
29135-112-700	DIRECTIONAL	300	3"	GRAPHITE GRAY	240/40
29135-112-999	DIRECTIONAL	300	3"	CLEAR / LED	240/40
29135-012-700	DIRECTIONAL	300	3-5/16"	GRAPHITE GRAY	240/40
29135-012-999	DIRECTIONAL	300	3-5/16"	CLEAR / LED	240/40
29135-142-700	MASSAGE	300	3"	GRAPHITE GRAY	240/40
29135-142-999	MASSAGE	300	3"	CLEAR / LED	240/40
29135-042-700	MASSAGE	300	3-5/16"	GRAPHITE GRAY	240/40
29135-042-999	MASSAGE	300	3-5/16"	CLEAR / LED	240/40
29135-112-700	VTX	300	3"	GRAPHITE GRAY	240/40
29135-112-929	VTX	300	3"	CLEAR / LED	240/40
29135-012-720	VTX	300	3-5/16"	GRAPHITE GRAY	240/40
29135-012-929	VTX	300	3-5/16"	CLEAR / LED	240/40
29135-122-700	SINGLE ROTO	300	3"	GRAPHITE GRAY	240/40
29135-122-999	SINGLE ROTO	300	3"	CLEAR / LED	240/40
29135-022-700	SINGLE ROTO	300	3-5/16"	GRAPHITE GRAY	240/40
29135-022-999	SINGLE ROTO	300	3-5/16"	CLEAR / LED	240/40
29135-132-700	DOUBLE ROTO	300	3"	GRAPHITE GRAY	240/40
29135-132-999	DOUBLE ROTO	300	3"	CLEAR / LED	240/40
29135-032-700	DOUBLE ROTO	300	3-5/16"	GRAPHITE GRAY	240/40
29135-032-999	DOUBLE ROTO	300	3-5/16"	CLEAR / LED	240/40
29135-182-700	BEARINGLESS ROTO	300	3"	GRAPHITE GRAY	240/40
29135-182-999	BEARINGLESS ROTO	300	3"	CLEAR / LED	240/40
29135-082-700	BEARINGLESS ROTO	300	3-5/16"	GRAPHITE GRAY	240/40
29135-082-999	BEARINGLESS ROTO	300	3-5/16"	CLEAR / LED	240/40
29135-197-700	BEARINGLESS DOUBLE ROTO	300	3"	GRAPHITE GRAY	240/40
29135-192-999	BEARINGLESS DOUBLE ROTO	300	3"	CLEAR / LED	240/40
29135-092-700	BEARINGLESS DOUBLE ROTO	300	3-5/16"	GRAPHITE GRAY	240/40
29135-092-999	BEARINGLESS DOUBLE ROTO	300	3-5/16"	CLEAR / LED	240/40

CONTINUED NEXT PAGE

CMP P/N	JET STYLE	SERIES	JET SIZE	NOZZLE COLOR	BOX / BAG
WAVE STAINLESS STEEL PRO-LOC JET INTERNALS					
29145-112-700	DIRECTIONAL	400	4"	GRAPHITE GRAY	120/40
29145-112-999	DIRECTIONAL	400	4"	CLEAR / LED	120/40
29145-012-700	DIRECTIONAL	400	4-3/8"	GRAPHITE GRAY	120/40
29145-012-999	DIRECTIONAL	400	4-3/8"	CLEAR / LED	120/40
29145-142-700	MASSAGE	400	4"	GRAPHITE GRAY	120/40
29145-142-999	MASSAGE	400	4"	CLEAR / LED	120/40
29145-042-700	MASSAGE	400	4-3/8"	GRAPHITE GRAY	120/40
29145-042-999	MASSAGE	400	4-3/8"	CLEAR / LED	120/40
29145-112-700	VTX	400	4"	GRAPHITE GRAY	120/40
29145-112-929	VTX	400	4"	CLEAR / LED	120/40
29145-012-720	VTX	400	4-3/8"	GRAPHITE GRAY	120/40
29145-012-929	VTX	400	4-3/8"	CLEAR / LED	120/40
29145-122-700	SINGLE ROTO	400	4"	GRAPHITE GRAY	120/40
29145-122-999	SINGLE ROTO	400	4"	CLEAR / LED	120/40
29145-022-700	SINGLE ROTO	400	4-3/8"	GRAPHITE GRAY	120/40
29145-022-999	SINGLE ROTO	400	4-3/8"	CLEAR / LED	120/40
29145-132-700	DOUBLE ROTO	400	4"	GRAPHITE GRAY	120/40
29145-132-999	DOUBLE ROTO	400	4"	CLEAR / LED	120/40
29145-032-700	DOUBLE ROTO	400	4-3/8"	GRAPHITE GRAY	120/40
29145-032-999	DOUBLE ROTO	400	4-3/8"	CLEAR / LED	120/40
29145-182-700	BEARINGLESS ROTO	400	4"	GRAPHITE GRAY	120/40
29145-182-999	BEARINGLESS ROTO	400	4"	CLEAR / LED	120/40
29145-082-700	BEARINGLESS ROTO	400	4-3/8"	GRAPHITE GRAY	120/40
29145-082-999	BEARINGLESS ROTO	400	4-3/8"	CLEAR / LED	120/40
29145-192-700	BEARINGLESS DOUBLE ROTO	400	4"	GRAPHITE GRAY	120/40
29145-192-999	BEARINGLESS DOUBLE ROTO	400	4"	CLEAR / LED	120/40
29145-092-700	BEARINGLESS DOUBLE ROTO	400	4-3/8"	GRAPHITE GRAY	120/40
29145-092-999	BEARINGLESS DOUBLE ROTO	400	4-3/8"	CLEAR / LED	120/40
29155-012-700	DIRECTIONAL	500	5"	GRAPHITE GRAY	120/40
29155-012-999	DIRECTIONAL	500	5"	CLEAR / LED	120/40
29155-042-700	MASSAGE	500	5"	GRAPHITE GRAY	60/20
29155-042-999	MASSAGE	500	5"	CLEAR / LED	60/20
29155-072-700	14 PORT ROTOSSAGE	500	5"	GRAPHITE GRAY	60/20
29155-072-999	14 PORT ROTOSSAGE	500	5"	CLEAR / LED	60/20
29155-052-700	7-PORT ROTOSSAGE	500	5"	GRAPHITE GRAY	60/20
29155-052-999	7-PORT ROTOSSAGE	500	5"	CLEAR / LED	60/20
29155-012-720	VTX	500	5"	GRAPHITE GRAY	60/20
29155-012-929	VTX	500	5"	CLEAR / LED	60/20
29155-022-700	SINGLE ROTO	500	5"	GRAPHITE GRAY	60/20
29155-022-999	SINGLE ROTO	500	5"	CLEAR / LED	60/20
29155-032-700	DOUBLE ROTO	500	5"	GRAPHITE GRAY	60/20
29155-032-999	DOUBLE ROTO	500	5"	CLEAR / LED	60/20
29155-062-720	ROTOPULSE	500	5"	GRAPHITE GRAY	60/20
29155-062-999	ROTOPULSE	500	5"	CLEAR / LED	60/20
29155-082-700	BEARINGLESS ROTO	500	5"	GRAPHITE GRAY	60/20
29155-082-999	BEARINGLESS ROTO	500	5"	CLEAR / LED	60/20
29155-092-700	BEARINGLESS DOUBLE ROTO	500	5"	GRAPHITE GRAY	60/20
29155-092-999	BEARINGLESS DOUBLE ROTO	500	5"	CLEAR / LED	60/20

WAVE WHIRLPOOL COLLECTION

PRODUCT FEATURES

- High Flow Whirlpool Jet Style
- Three Orifice Size Options
- Fits Whirlpool Series Body pg 87
- Adjustable or Non-Adjustable
- Graphite Gray or SS Flange
- Graphite Gray or Clear Directional Nozzle



ORDERING GUIDE

REF	CMP P/N	JET STYLE	SERIES	JET SIZE	NOZZLE COLOR	ORIFICE SIZE	BOX / BAG
WAVE GRAPHITE GRAY PRO-LOC JET INTERNALS							
A	29250-317-000	ADJUSTABLE WHIRLPOOL	WP	5"	GRAPHITE GRAY	1" ORIFICE	60/20
A	29250-317-050	ADJUSTABLE WHIRLPOOL	WP	5"	GRAPHITE GRAY	1/2" ORIFICE	60/20
A	29250-317-075	ADJUSTABLE WHIRLPOOL	WP	5"	GRAPHITE GRAY	3/4" ORIFICE	60/20
A	29253-317-000	NON-ADJUSTABLE WHIRLPOOL	WP	5"	GRAPHITE GRAY	1" ORIFICE	60/20
A	29253-317-050	NON-ADJUSTABLE WHIRLPOOL	WP	5"	GRAPHITE GRAY	1/2" ORIFICE	60/20
A	29253-317-075	NON-ADJUSTABLE WHIRLPOOL	WP	5"	GRAPHITE GRAY	3/4" ORIFICE	60/20
WAVE STAINLESS STEEL PRO-LOC JET INTERNALS							
B	29520-312-700	ADJUSTABLE WHIRLPOOL	WP	5"	GRAPHITE GRAY	1" ORIFICE	60/20
B	29520-312-999	ADJUSTABLE WHIRLPOOL	WP	5"	CLEAR / LED	1" ORIFICE	60/20
B	29520-312-750	ADJUSTABLE WHIRLPOOL	WP	5"	GRAPHITE GRAY	1/2" ORIFICE	60/20
B	29520-312-950	ADJUSTABLE WHIRLPOOL	WP	5"	CLEAR / LED	1/2" ORIFICE	60/20
B	29520-312-775	ADJUSTABLE WHIRLPOOL	WP	5"	GRAPHITE GRAY	3/4" ORIFICE	60/20
B	29520-312-975	ADJUSTABLE WHIRLPOOL	WP	5"	CLEAR / LED	3/4" ORIFICE	60/20
B	29523-312-700	NON-ADJUSTABLE WHIRLPOOL	WP	5"	GRAPHITE GRAY	1" ORIFICE	60/20
B	29523-312-999	NON-ADJUSTABLE WHIRLPOOL	WP	5"	CLEAR / LED	1" ORIFICE	60/20
B	29523-312-750	NON-ADJUSTABLE WHIRLPOOL	WP	5"	GRAPHITE GRAY	1/2" ORIFICE	60/20
B	29523-312-950	NON-ADJUSTABLE WHIRLPOOL	WP	5"	CLEAR / LED	1/2" ORIFICE	60/20
B	29523-312-775	NON-ADJUSTABLE WHIRLPOOL	WP	5"	GRAPHITE GRAY	3/4" ORIFICE	60/20
B	29523-312-975	NON-ADJUSTABLE WHIRLPOOL	WP	5"	CLEAR / LED	3/4" ORIFICE	60/20

CROWN™ JETS THERAPY OPTIONS



200 SERIES
DIRECTIONAL



200 SERIES
MASSAGE



200 SERIES
BEARINGLESS ROTO



300 SERIES
DIRECTIONAL



300 SERIES
MASSAGE



300 SERIES
VTX



300 SERIES
SINGLE ROTO



300 SERIES
DOUBLE ROTO



300 SERIES
BEARINGLESS SINGLE ROTO



300 SERIES
BEARINGLESS DOUBLE ROTO



400 SERIES
DIRECTIONAL



400 SERIES
MASSAGE



400 SERIES
VTX



400 SERIES
SINGLE ROTO

CROWN™ JETS THERAPY OPTIONS

PRO-LOC
PROFESSIONAL LINE



400 SERIES
DOUBLE ROTO



400 SERIES
BEARINGLESS SINGLE ROTO



400 SERIES
BEARINGLESS DOUBLE ROTO



500 SERIES
DIRECTIONAL



500 SERIES
MASSAGE / 14-PORT ROTASSAGE



500 SERIES
VTX



500 SERIES
SINGLE ROTO



500 SERIES
DOUBLE ROTO



500 SERIES
ROTOPULSE



500 SERIES
PULSATOR



500 SERIES
BEARINGLESS SINGLE ROTO



500 SERIES
BEARINGLESS DOUBLE ROTO



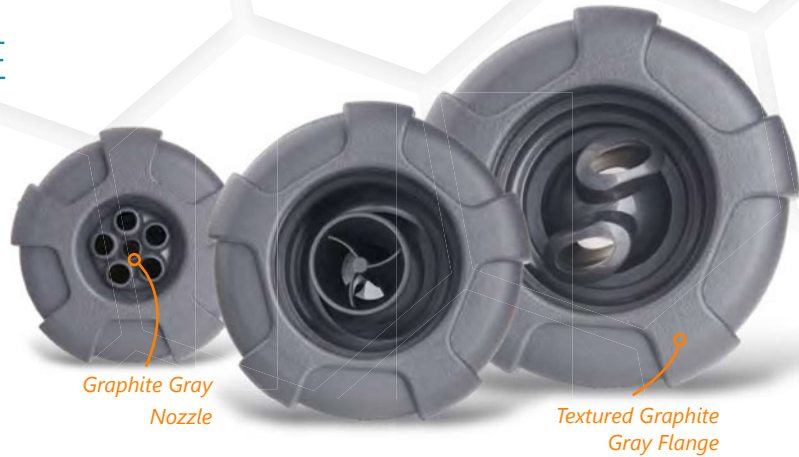
WHIRLPOOL
ADJUSTABLE/NON-ADJUSTABLE

CROWN™ JETS | GRAPHITE GRAY

PRO-LOC
THE ORIGINALCROWN GRAPHITE
COLLECTION

PRODUCT FEATURES

- Sporty Crown Design
- Graphite Gray Nozzles
- Complete Jet Collection
- Matching Crown Topside Controls



CMP P/N

JET STYLE

SERIES

JET SIZE

BOX / BAG

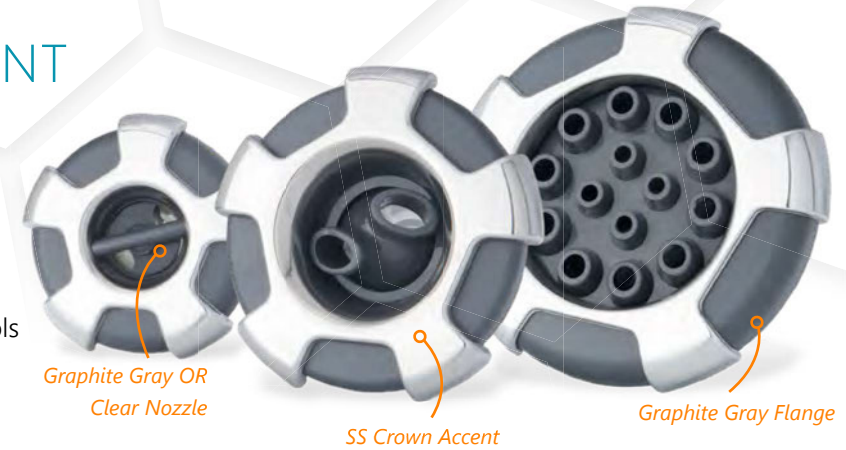
CROWN GRAPHITE GRAY PRO-LOC JET INTERNALS

CMP P/N	JET STYLE	SERIES	JET SIZE	BOX / BAG
29126-017-000	DIRECTIONAL	200	2-1/4"	400/50
29126-617-000	100% SHUT OFF DIRECTIONAL	200	2-1/4"	400/50
29126-047-000	MASSAGE	200	2-1/4"	400/50
29126-027-000	BEARINGLESS ROTO	200	2-1/4"	400/50
29136-017-000	DIRECTIONAL	300	3-1/4"	240/40
29146-017-000	DIRECTIONAL	300	3-3/5"	240/40
29126-047-000	MASSAGE	300	3-1/4"	240/40
29146-047-000	MASSAGE	300	3-3/5"	240/40
29146-017-720	VTX	300	3-3/5"	240/40
29136-027-000	SINGLE ROTO	300	3-1/4"	240/40
29146-027-000	SINGLE ROTO	300	3-3/5"	240/40
29136-037-000	DOUBLE ROTO	300	3-1/4"	240/40
29146-037-000	DOUBLE ROTO	300	3-3/5"	240/40
29136-087-000	BEARINGLESS ROTO	300	3-1/4"	240/40
29146-087-000	BEARINGLESS ROTO	300	3-3/5"	240/40
29136-097-000	BEARINGLESS DOUBLE ROTO	300	3-1/4"	240/40
29146-097-000	BEARINGLESS DOUBLE ROTO	300	3-3/5"	240/40
29146-117-000	DIRECTIONAL	400	4-1/4"	120/40
29146-147-000	MASSAGE	400	4-1/4"	120/40
29146-117-720	VTX	400	4-1/4"	120/40
29146-127-000	SINGLE ROTO	400	4-1/4"	120/40
29146-137-000	DOUBLE ROTO	400	4-1/4"	120/40
29146-187-000	BEARINGLESS ROTO	400	4-1/4"	120/40
29146-197-000	BEARINGLESS DOUBLE ROTO	400	4-1/4"	120/40
29156-017-000	DIRECTIONAL	500	5-1/4"	60/20
29156-047-000	MASSAGE	500	5-1/4"	60/20
29156-057-000	7-PORT ROTOSSAGE	500	5-1/4"	60/20
29156-017-720	VTX	500	5-1/4"	60/20
29156-027-000	SINGLE ROTO	500	5-1/4"	60/20
29156-037-000	DOUBLE ROTO	500	5-1/4"	60/20
29156-077-000	PULSATOR	500	5-1/4"	60/20
29156-067-000	ROTOPULSE	500	5-1/4"	60/20
29156-087-000	BEARINGLESS ROTO	500	5-1/4"	60/20
29156-097-000	BEARINGLESS DOUBLE ROTO	500	5-1/4"	60/20

CROWN SS ACCENT COLLECTION

PRODUCT FEATURES

- Exciting Stainless Steel Crown Design Accent
- Clear/LED Nozzles Option
- Matching Crown Topside Controls



CMP P/N	JET STYLE	SERIES	JET SIZE	NOZZLE COLOR	BOX / BAG
CROWN STAINLESS STEEL PRO-LOC JET INTERNALS					
29126-012-700	DIRECTIONAL	200	2"	GRAPHITE GRAY	400/50
29126-012-999	DIRECTIONAL	200	2"	CLEAR / LED	400/50
29126-612-700	100% SHUT OFF DIRECTIONAL	200	2"	GRAPHITE GRAY	400/50
29126-612-999	100% SHUT OFF DIRECTIONAL	200	2"	CLEAR / LED	400/50
29126-042-700	MASSAGE	200	2"	GRAPHITE GRAY	400/50
29126-042-999	MASSAGE	200	2"	CLEAR / LED	400/50
29126-022-700	BEARINGLESS ROTO	200	2"	GRAPHITE GRAY	400/50
29126-022-999	BEARINGLESS ROTO	200	2"	CLEAR / LED	400/50
29136-012-700	DIRECTIONAL	300	3-1/4"	GRAPHITE GRAY	240/40
29136-012-999	DIRECTIONAL	300	3-1/4"	CLEAR / LED	240/40
29136-042-700	MASSAGE	300	3-1/4"	GRAPHITE GRAY	240/40
29136-042-999	MASSAGE	300	3-1/4"	CLEAR / LED	240/40
29136-022-700	SINGLE ROTO	300	3-1/4"	GRAPHITE GRAY	240/40
29136-022-999	SINGLE ROTO	300	3-1/4"	CLEAR / LED	240/40
29136-032-700	DOUBLE ROTO	300	3-1/4"	GRAPHITE GRAY	240/40
29136-032-999	DOUBLE ROTO	300	3-1/4"	CLEAR / LED	240/40
29136-082-700	BEARINGLESS ROTO	300	3-1/4"	GRAPHITE GRAY	240/40
29136-082-999	BEARINGLESS ROTO	300	3-1/4"	CLEAR / LED	240/40
29136-092-700	BEARINGLESS DOUBLE ROTO	300	3-1/4"	GRAPHITE GRAY	240/40
29136-092-999	BEARINGLESS DOUBLE ROTO	300	3-1/4"	CLEAR / LED	240/40
29146-012-700	DIRECTIONAL	400	3-3/5"	GRAPHITE GRAY	240/40
29146-012-999	DIRECTIONAL	400	3-3/5"	CLEAR / LED	240/40
29146-042-700	MASSAGE	400	3-3/5"	GRAPHITE GRAY	240/40
29146-042-999	MASSAGE	400	3-3/5"	CLEAR / LED	240/40
29146-012-720	VTX	400	3-3/5"	GRAPHITE GRAY	240/40
29146-012-929	VTX	400	3-3/5"	CLEAR / LED	240/40
29146-022-700	SINGLE ROTO	400	3-3/5"	GRAPHITE GRAY	240/40
29146-022-999	SINGLE ROTO	400	3-3/5"	CLEAR / LED	240/40
29146-032-700	DOUBLE ROTO	400	3-3/5"	GRAPHITE GRAY	240/40
29146-032-999	DOUBLE ROTO	400	3-3/5"	CLEAR / LED	240/40
29146-082-700	BEARINGLESS ROTO	400	3-3/5"	GRAPHITE GRAY	240/40
29146-082-999	BEARINGLESS ROTO	400	3-3/5"	CLEAR / LED	240/40
29146-092-700	BEARINGLESS DOUBLE ROTO	400	3-3/5"	GRAPHITE GRAY	240/40
29146-092-999	BEARINGLESS DOUBLE ROTO	400	3-3/5"	CLEAR / LED	240/40

CONTINUED NEXT PAGE

CROWN™ JETS | STAINLESS ACCENT



CMP P/N	JET STYLE	SERIES	JET SIZE	NOZZLE COLOR	BOX / BAG
CROWN STAINLESS STEEL PRO-LOC JET INTERNALS					
29146-112-700	DIRECTIONAL	400	4-1/4"	GRAPHITE GRAY	120/40
29146-112-999	DIRECTIONAL	400	4-1/4"	CLEAR / LED	120/40
29146-142-700	MASSAGE	400	4-1/4"	GRAPHITE GRAY	120/40
29146-142-999	MASSAGE	400	4-1/4"	CLEAR / LED	120/40
29146-112-720	VTX	400	4-1/4"	GRAPHITE GRAY	120/40
29146-112-929	VTX	400	4-1/4"	CLEAR / LED	120/40
29146-122-700	SINGLE ROTO	400	4-1/4"	GRAPHITE GRAY	120/40
29146-122-999	SINGLE ROTO	400	4-1/4"	CLEAR / LED	120/40
29146-132-700	DOUBLE ROTO	400	4-1/4"	GRAPHITE GRAY	120/40
29146-132-999	DOUBLE ROTO	400	4-1/4"	CLEAR / LED	120/40
29146-182-700	BEARINGLESS ROTO	400	4-1/4"	GRAPHITE GRAY	120/40
29146-182-999	BEARINGLESS ROTO	400	4-1/4"	CLEAR / LED	120/40
29146-192-700	BEARINGLESS DOUBLE ROTO	400	4-1/4"	GRAPHITE GRAY	120/40
29146-192-999	BEARINGLESS DOUBLE ROTO	400	4-1/4"	CLEAR / LED	120/40
29156-012-700	DIRECTIONAL	500	5-1/4"	GRAPHITE GRAY	120/40
29156-012-999	DIRECTIONAL	500	5-1/4"	CLEAR / LED	120/40
29156-042-700	MASSAGE	500	5-1/4"	GRAPHITE GRAY	60/20
29156-042-999	MASSAGE	500	5-1/4"	CLEAR / LED	60/20
29156-052-700	7-PORT ROTOSSAGE	500	5-1/4"	GRAPHITE GRAY	60/20
29156-052-999	7-PORT ROTOSSAGE	500	5-1/4"	CLEAR / LED	60/20
29156-012-720	VTX	500	5-1/4"	GRAPHITE GRAY	60/20
29156-012-929	VTX	500	5-1/4"	CLEAR / LED	60/20
29156-022-700	SINGLE ROTO	500	5-1/4"	GRAPHITE GRAY	60/20
29156-022-999	SINGLE ROTO	500	5-1/4"	CLEAR / LED	60/20
29156-032-700	DOUBLE ROTO	500	5-1/4"	GRAPHITE GRAY	60/20
29156-032-999	DOUBLE ROTO	500	5-1/4"	CLEAR / LED	60/20
29156-072-700	PULSATOR	500	5-1/4"	GRAPHITE GRAY	60/20
29156-072-999	PULSATOR	500	5-1/4"	CLEAR / LED	60/20
29156-062-700	ROTOPULSE	500	5-1/4"	GRAPHITE GRAY	60/20
29156-062-999	ROTOPULSE	500	5-1/4"	CLEAR / LED	60/20
29156-082-700	BEARINGLESS ROTO	500	5-1/4"	GRAPHITE GRAY	60/20
29156-082-999	BEARINGLESS ROTO	500	5-1/4"	CLEAR / LED	60/20
29156-092-700	BEARINGLESS DOUBLE ROTO	500	5-1/4"	GRAPHITE GRAY	60/20
29156-092-999	BEARINGLESS DOUBLE ROTO	500	5-1/4"	CLEAR / LED	60/20



CROWN WHIRLPOOL COLLECTION

PRODUCT FEATURES

- High Flow Whirlpool Jet Style
- Three Orifice Size Options
- Fits Whirlpool Series Body p81
- Adjustable or Non-Adjustable
- Graphite Gray or Clear Directional Nozzle
- Graphite Gray or SS Accent



ORDERING GUIDE

REF	CMP P/N	JET STYLE	SERIES	JET SIZE	NOZZLE COLOR	ORIFICE SIZE	BOX / BAG
CROWN GRAPHITE GRAY PRO-LOC JET INTERNALS							
A	29250-417-000	ADJUSTABLE WHIRLPOOL	WP	5"	GRAPHITE GRAY	1" ORIFICE	60/20
A	29250-417-050	ADJUSTABLE WHIRLPOOL	WP	5"	GRAPHITE GRAY	1/2" ORIFICE	60/20
A	29250-417-075	ADJUSTABLE WHIRLPOOL	WP	5"	GRAPHITE GRAY	3/4" ORIFICE	60/20
A	29253-417-000	NON-ADJUSTABLE WHIRLPOOL	WP	5"	GRAPHITE GRAY	1" ORIFICE	60/20
A	29253-417-050	NON-ADJUSTABLE WHIRLPOOL	WP	5"	GRAPHITE GRAY	1/2" ORIFICE	60/20
A	29253-417-075	NON-ADJUSTABLE WHIRLPOOL	WP	5"	GRAPHITE GRAY	3/4" ORIFICE	60/20
CROWN STAINLESS STEEL PRO-LOC JET INTERNALS							
B	29250-412-700	ADJUSTABLE WHIRLPOOL	WP	5"	GRAPHITE GRAY	1" ORIFICE	60/20
B	29250-412-999	ADJUSTABLE WHIRLPOOL	WP	5"	CLEAR / LED	1" ORIFICE	60/20
B	29250-412-750	ADJUSTABLE WHIRLPOOL	WP	5"	GRAPHITE GRAY	1/2" ORIFICE	60/20
B	29250-412-950	ADJUSTABLE WHIRLPOOL	WP	5"	CLEAR / LED	1/2" ORIFICE	60/20
B	29250-412-775	ADJUSTABLE WHIRLPOOL	WP	5"	GRAPHITE GRAY	3/4" ORIFICE	60/20
B	29250-412-975	ADJUSTABLE WHIRLPOOL	WP	5"	CLEAR / LED	3/4" ORIFICE	60/20
B	29253-412-700	NON-ADJUSTABLE WHIRLPOOL	WP	5"	GRAPHITE GRAY	1" ORIFICE	60/20
B	29253-412-999	NON-ADJUSTABLE WHIRLPOOL	WP	5"	CLEAR / LED	1" ORIFICE	60/20
B	29253-412-750	NON-ADJUSTABLE WHIRLPOOL	WP	5"	GRAPHITE GRAY	1/2" ORIFICE	60/20
B	29253-412-950	NON-ADJUSTABLE WHIRLPOOL	WP	5"	CLEAR / LED	1/2" ORIFICE	60/20
B	29253-412-775	NON-ADJUSTABLE WHIRLPOOL	WP	5"	GRAPHITE GRAY	3/4" ORIFICE	60/20
B	29253-412-975	NON-ADJUSTABLE WHIRLPOOL	WP	5"	CLEAR / LED	3/4" ORIFICE	60/20

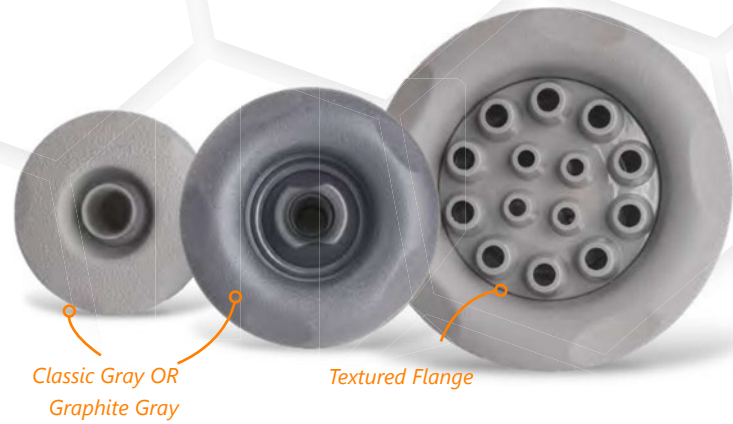
DIAMOND™ JETS | TEXTURED PLASTIC



DIAMOND PLASTIC COLLECTION

PRODUCT FEATURES

- Traditional Scalloped Jet Design
- Graphite Gray or Classic Gray
- Matching Diamond Topside Control Valves



2" 200 SERIES	3" 300 SERIES	3-5/16" 300 SERIES	3-3/8" 400 SERIES	JET STYLE	FLANGE STYLE	NOZZLE COLOR
DIAMOND TEXTURED PLASTIC PRO-LOC JET INTERNALS						
29122-117-090	—	—	—	NON-ADJ. DIR.	GRAPHITE GRAY	GRAPHITE GRAY
29122-119-090	—	—	—	NON-ADJ. DIR.	CLASSIC GRAY	CLASSIC GRAY
29122-617-000	—	—	—	100% SHUT-OFF DIR.	GRAPHITE GRAY	GRAPHITE GRAY
29122-107-000	—	—	—	NO NOZZLE / DIR.	GRAPHITE GRAY	GRAPHITE GRAY
29122-109-000	—	—	—	NO NOZZLE / DIR.	CLASSIC GRAY	CLASSIC GRAY
29122-117-000	29132-217-000	29132-817-000	29142-117-000	DIRECTIONAL	GRAPHITE GRAY	GRAPHITE GRAY
29122-119-000	29132-219-000	29132-819-000	29142-119-000	DIRECTIONAL	CLASSIC GRAY	CLASSIC GRAY
29122-217-000	—	—	—	BEARINGLESS ROTO	GRAPHITE GRAY	GRAPHITE GRAY
29122-219-000	—	—	—	BEARINGLESS ROTO	CLASSIC GRAY	CLASSIC GRAY
—	29132-147-000	29132-847-000	29142-337-000	MASSAGE	GRAPHITE GRAY	GRAPHITE GRAY
—	29132-149-000	29132-849-000	29142-339-000	MASSAGE	CLASSIC GRAY	CLASSIC GRAY
—	29132-317-000	29132-822-700	29142-327-000	SINGLE ROTO	GRAPHITE GRAY	GRAPHITE GRAY
—	29132-319-000	29132-829-000	29142-329-000	SINGLE ROTO	CLASSIC GRAY	CLASSIC GRAY
—	29132-327-000	29132-831-000	29142-217-000	DOUBLE ROTO	GRAPHITE GRAY	GRAPHITE GRAY
—	29132-329-000	29132-839-000	29142-219-000	DOUBLE ROTO	CLASSIC GRAY	CLASSIC GRAY

4" 400 SERIES	4-3/8" 400 SERIES	5" 500 SERIES	JET STYLE	FLANGE STYLE	NOZZLE COLOR
DIAMOND TEXTURED PLASTIC PRO-LOC JET INTERNALS					
29142-437-000	29142-317-000	29152-117-000	DIRECTIONAL	GRAPHITE GRAY	GRAPHITE GRAY
29142-439-000	29142-319-000	29152-119-000	DIRECTIONAL	CLASSIC GRAY	CLASSIC GRAY
29142-407-000	—	29512-817-000	MASSAGE	GRAPHITE GRAY	GRAPHITE GRAY
29142-409-000	—	29512-819-000	MASSAGE	CLASSIC GRAY	CLASSIC GRAY
—	—	29512-717-000	14-PORT ROTOSSAGE	GRAPHITE GRAY	GRAPHITE GRAY
—	—	29152-719-000	14-PORT ROTOSSAGE	CLASSIC GRAY	CLASSIC GRAY
—	—	29152-147-000	7-PORT ROTOSSAGE	GRAPHITE GRAY	GRAPHITE GRAY
—	—	29152-749-900	7-PORT ROTOSSAGE	CLASSIC GRAY	CLASSIC GRAY
—	—	29152-217-000	PULSATOR	GRAPHITE GRAY	GRAPHITE GRAY
—	—	29152-219-000	PULSATOR	CLASSIC GRAY	CLASSIC GRAY
29142-417-000	29142-127-000	29152-227-000	SINGLE ROTO	GRAPHITE GRAY	GRAPHITE GRAY
29142-419-000	29142-129-000	29152-229-000	SINGLE ROTO	CLASSIC GRAY	CLASSIC GRAY
29142-427-000	29142-227-000	29152-317-000	DOUBLE ROTO	GRAPHITE GRAY	GRAPHITE GRAY
29142-429-000	29142-229-000	29152-319-000	DOUBLE ROTO	CLASSIC GRAY	CLASSIC GRAY
—	—	29250-117-000	1" ADJ. WHIRLPOOL	GRAPHITE GRAY	GRAPHITE GRAY
—	—	29250-119-700	1" ADJ. WHIRLPOOL	CLASSIC GRAY	CLASSIC GRAY
—	—	29250-117-075	3/4" ADJ. WHIRLPOOL	GRAPHITE GRAY	GRAPHITE GRAY
—	—	29250-119-775	3/4" ADJ. WHIRLPOOL	CLASSIC GRAY	CLASSIC GRAY
—	—	29250-117-050	1/2" ADJ. WHIRLPOOL	GRAPHITE GRAY	GRAPHITE GRAY
—	—	29250-119-050	1/2" ADJ. WHIRLPOOL	CLASSIC GRAY	CLASSIC GRAY
—	—	29253-117-000	1" NON-ADJ. WHIRLPOOL	GRAPHITE GRAY	GRAPHITE GRAY
—	—	29253-119-000	1" NON-ADJ. WHIRLPOOL	CLASSIC GRAY	CLASSIC GRAY
—	—	29253-117-075	3/4" NON-ADJ. WHIRLPOOL	GRAPHITE GRAY	GRAPHITE GRAY
—	—	29253-119-075	3/4" NON-ADJ. WHIRLPOOL	CLASSIC GRAY	CLASSIC GRAY
—	—	29253-117-050	1/2" NON-ADJ. WHIRLPOOL	GRAPHITE GRAY	GRAPHITE GRAY
—	—	29253-119-050	1/2" NON-ADJ. WHIRLPOOL	CLASSIC GRAY	CLASSIC GRAY

DIAMOND SS COLLECTION

PRODUCT FEATURES

- Traditional Scalloped Jet Design
- Stainless Steel Escutcheon
- Matching Diamond Topside Control Valves



Graphite OR Classic Gray Nozzle

Stainless Steel Escutcheon

2" 200 SERIES	3" 300 SERIES	3-5/16" 300 SERIES	3-3/8" 400 SERIES	JET STYLE	FLANGE STYLE	NOZZLE COLOR
DIAMOND STAINLESS STEEL PRO-LOC JET INTERNALS						
29122-112-090	—	—	—	NON-ADJ. DIR.	STAINLESS STEEL	GRAPHITE GRAY
29122-112-990	—	—	—	NON-ADJ. DIR.	STAINLESS STEEL	CLASSIC GRAY
29122-612-700	—	—	—	100% SHUT-OFF DIR.	STAINLESS STEEL	GRAPHITE GRAY
29122-102-000	—	—	—	NO NOZZLE / DIR.	STAINLESS STEEL	GRAPHITE GRAY
29122-102-900	—	—	—	NO NOZZLE / DIR.	STAINLESS STEEL	CLASSIC GRAY
29122-112-000	29132-212-000	29132-812-700	29142-112-000	DIRECTIONAL	STAINLESS STEEL	GRAPHITE GRAY
29122-612-900	29132-212-900	29132-812-900	29142-112-900	DIRECTIONAL	STAINLESS STEEL	CLASSIC GRAY
29122-212-000	—	—	—	BEARINGLESS ROTO	STAINLESS STEEL	GRAPHITE GRAY
29122-212-900	—	—	—	BEARINGLESS ROTO	STAINLESS STEEL	CLASSIC GRAY
—	29132-142-000	29132-842-700	29142-332-000	MASSAGE	STAINLESS STEEL	GRAPHITE GRAY
—	29132-142-900	29132-842-900	29142-332-900	MASSAGE	STAINLESS STEEL	CLASSIC GRAY
—	29132-312-000	29132-822-700	29142-322-000	SINGLE ROTO	STAINLESS STEEL	GRAPHITE GRAY
—	29132-312-900	29132-822-900	29142-322-900	SINGLE ROTO	STAINLESS STEEL	CLASSIC GRAY
—	29132-322-000	29132-832-700	29142-212-000	DOUBLE ROTO	STAINLESS STEEL	GRAPHITE GRAY
—	29132-322-900	29132-832-900	29142-212-900	DOUBLE ROTO	STAINLESS STEEL	CLASSIC GRAY

4" 400 SERIES	4-3/8" 400 SERIES	5" 500 SERIES	JET STYLE	FLANGE STYLE	NOZZLE COLOR
DIAMOND STAINLESS STEEL PRO-LOC JET INTERNALS					
29142-432-000	29142-312-000	29152-112-000	DIRECTIONAL	STAINLESS STEEL	GRAPHITE GRAY
29142-432-900	29142-312-900	29152-112-900	DIRECTIONAL	STAINLESS STEEL	CLASSIC GRAY
29142-402-000	—	29152-812-000	MASSAGE	STAINLESS STEEL	GRAPHITE GRAY
29142-492-000	—	29152-812-900	MASSAGE	STAINLESS STEEL	CLASSIC GRAY
—	—	29152-712-000	14-PORT ROTOSSAGE	STAINLESS STEEL	GRAPHITE GRAY
—	—	29152-712-900	14-PORT ROTOSSAGE	STAINLESS STEEL	CLASSIC GRAY
—	—	29152-142-000	7-PORT ROTOSSAGE	STAINLESS STEEL	GRAPHITE GRAY
—	—	29152-742-900	7-PORT ROTOSSAGE	STAINLESS STEEL	CLASSIC GRAY
—	—	29152-212-000	PULSATOR	STAINLESS STEEL	GRAPHITE GRAY
—	—	29152-212-900	PULSATOR	STAINLESS STEEL	CLASSIC GRAY
29142-412-000	29142-122-000	29152-222-000	SINGLE ROTO	STAINLESS STEEL	GRAPHITE GRAY
29142-412-900	29142-122-900	29152-222-900	SINGLE ROTO	STAINLESS STEEL	CLASSIC GRAY
29142-422-000	29142-222-000	29152-312-000	DOUBLE ROTO	STAINLESS STEEL	GRAPHITE GRAY
29142-422-900	29142-222-900	29152-312-900	DOUBLE ROTO	STAINLESS STEEL	CLASSIC GRAY
—	—	29520-112-700	1" ADJ. WHIRLPOOL	STAINLESS STEEL	GRAPHITE GRAY
—	—	29520-112-900	1" ADJ. WHIRLPOOL	STAINLESS STEEL	CLASSIC GRAY
—	—	29520-112-775	3/4" ADJ. WHIRLPOOL	STAINLESS STEEL	GRAPHITE GRAY
—	—	29520-112-975	3/4" ADJ. WHIRLPOOL	STAINLESS STEEL	CLASSIC GRAY
—	—	29523-112-700	1" NON-ADJ. WHIRLPOOL	STAINLESS STEEL	GRAPHITE GRAY
—	—	29253-112-900	1" NON-ADJ. WHIRLPOOL	STAINLESS STEEL	CLASSIC GRAY
—	—	29253-112-775	3/4" NON-ADJ. WHIRLPOOL	STAINLESS STEEL	GRAPHITE GRAY
—	—	29253-112-975	3/4" NON-ADJ. WHIRLPOOL	STAINLESS STEEL	CLASSIC GRAY
—	—	29253-112-750	1/2" NON-ADJ. WHIRLPOOL	STAINLESS STEEL	GRAPHITE GRAY
—	—	29253-112-950	1/2" NON-ADJ. WHIRLPOOL	STAINLESS STEEL	CLASSIC GRAY

PRO-LOC™ JET BODIES



STANDARD JET BODIES

- Available with Check Valves
- Nut Included, Bagged Separately



200 SERIES



300 SERIES



400 SERIES



500 SERIES

200 SERIES	300 SERIES	400 SERIES	500 SERIES	DESCRIPTION	GASKET STYLE
PRO-LOC JET BODIES					
29222-000-000	29232-000-000	29242-000-000	29252-000-000	3/4" RB × 3/8" RB AIR	CLEAR "L"
29222-100-000	29232-100-000	—	—	3/4" RB WATER ONLY	—
29222-200-000	29232-200-000	29242-200-000	29252-200-000	3/4" SB × 3/8" SB AIR	NONE
29222-200-200	29232-200-200	29242-200-200	29252-200-200	3/4" SB × 3/8" SB AIR	CLEAR "L"
29222-200-300	29232-200-300	29242-200-300	29252-200-300	3/4" SB × 3/8" SB AIR	EPDM COMP "L"
29222-200-340	29232-200-340	29242-200-340	29252-200-340	3/4" SB × 3/8" SB AIR, NO NUT	EPDM COMP "L"

PRO-LOC JET BODIES WITH CHECK VALVES					
29222-010-000	29232-010-000	29242-010-000	29252-010-000	3/4" RB × 3/8" RB	CLEAR "L"
29222-020-000	29232-020-000	29242-020-000	29252-020-000	3/4" RB × 3/8" RB	GRAY EPDM COMP
29222-020-100	29232-020-100	29242-020-100	29252-020-100	3/4" RB × 3/8" RB	WHITE EPDM COMP

CLEAR (LED) JET BODIES

- Compatible with CMP LED Clip (page 66)
- Nut Included, Bagged Separately



200 SERIES



300 SERIES



400 SERIES



500 SERIES

200 SERIES	300 SERIES	400 SERIES	500 SERIES	DESCRIPTION	GASKET STYLE
PRO-LOC CLEAR LED-READY JET BODIES					
29222-089-000	29232-089-000	29242-089-000	29252-089-000	3/4" RB × 3/8" RB AIR	CLEAR "L"
29222-289-000	29232-289-000	29242-289-000	29252-289-000	3/4" RB × 3/8" RB AIR	NONE
29222-289-200	29232-289-200	29242-289-200	29252-289-200	3/4" RB × 3/8" RB AIR	CLEAR "L"
29222-289-300	29232-289-300	29242-289-300	29252-289-300	3/4" SB × 3/8" SB AIR	EPDM COMP "L"



COVERED BY ONE OR MORE U.S. PATENTS OR PATENT PENDING APPLICATIONS. SEE WWW.C-M-P.COM/PATENTS FOR DETAILS.

WHIRLPOOL SERIES JET BODIES

- For CMP Whirlpool Jets
- White Jet Bodies
- Nut included, bagged separately

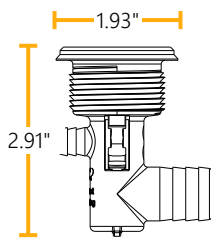


ORDERING GUIDE

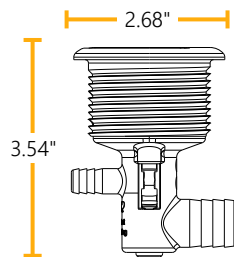
CMP P/N	DESCRIPTION	GASKET STYLE
PRO-LOC WHIRLPOOL JET BODIES		
29250-001-000	1-1/2" S WATER × 1/2" S AIR	GRAY EPDM COMP
29250-000-100	1-1/2" S WATER × 1/2" S AIR	WHITE EPDM COMP
29250-000-300	1-1/2" S WATER × 1/2" S AIR	EPDM COMP "L"
29250-100-000	1" S WATER × 1/2" S AIR	NO GASKET
29250-100-100	1" S WATER × 1/2" S AIR	CLEAR "L"
29250-100-200	1" S WATER × 1/2" S AIR	EPDM COMP
29250-100-300	1" S WATER × 1/2" S AIR	EPDM COMP "L"
29250-110-000	1" S WATER × 1/2" S AIR	NO GASKET
WHIRLPOOL JET ACCESSORIES		
23850-000-500	1/2" ORIFICE INSERT	—
23850-000-750	3/4" ORIFICE INSERT	—

TECHNICAL GUIDE

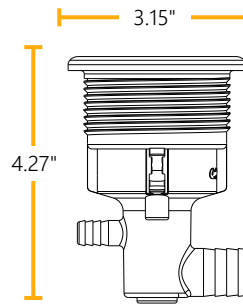
- Buttress Thread
- Clear Bodies Available
- Gaskets & Compensator Ring Available
- For Typhoon Bodies, see page 68



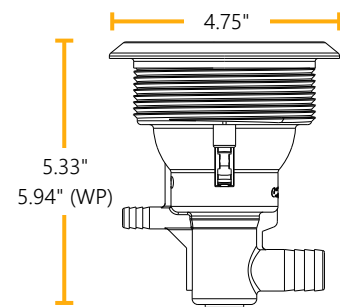
200 SERIES



300 SERIES



400 SERIES



500 SERIES / WP

HOLE SIZE	HOLE SIZE W/ "L" GASKET	COMPATIBLE JET INTERNALS	DESCRIPTION	BOX/BAG
1-1/2"	—	2"	200 SERIES JET BODIES	200/50
2-3/16"	2-5/16"	3", 3-1/4", 3-5/16"	300 SERIES JET BODIES	120/50
2-5/8"	2-3/4"	3-3/8", 3-3/5", 4", 4-3/8"	400 SERIES JET BODIES	120
3-3/4"	3-15/16"	5", 5-1/4"	500 SERIES JET BODIES	60
3-3/4"	3-15/16"	ALL WHIRLPOOL	WHIRLPOOL JET BODIES	60

PRO-LOC™ JET BODY ACCESSORIES



ORDERING GUIDE

REF	200 SERIES	300 SERIES	400 SERIES	500 SERIES	DESCRIPTION
PRO-LOC JET BODY ACCESSORIES					
A	26200-237-201	26200-237-301	26200-237-401	26200-237-501	DBL EPDM COMPRESSION SEAL
—	26200-234-221	26200-234-321	26200-234-421	26200-234-521	"L" EPDM COMPRESSION SEAL
B	23422-000-050	23432-000-050	23442-000-050	23452-000-050	CLEAR "L" GASKET TPE
C	23422-000-010	23432-000-010	23442-000-010	23452-000-010	COMPENSATOR RING
D	23422-000-040	23432-000-040	23442-000-040	23452-000-040	JET BODY NUT
E	23422-999-999	23432-999-999	23442-999-999	23452-999-999	JET WRENCH
F	29222-299-020	29222-299-020	29222-299-020	29222-299-020	UNIVERSAL LED PORT CLIP
—	23422-000-316	—	—	—	3/16" ORIFICE REDUCER
—	—	23432-000-025	—	—	1/4" ORIFICE REDUCER
—	23750-000-040	23750-000-040	23750-000-040	23750-000-040	CHECK VALVE FOR 3/8" AIR INLET PORT NEW



A NEW TWIST ON JET PERFORMANCE



TYPHOON ADVANCED™ JET SYSTEM

TYPHOON ADVANCED™

THE ORIGINAL CMP JET SYSTEM, NOW EVEN BETTER THAN BEFORE

RELIABLE LOCKING SYSTEM

Typhoon Advanced utilizes the industry proven click-lock system. Years of use in the hot tub industry have made this system trustworthy and reliable.

HIGH PERFORMANCE POLYPROPYLENE DIFFUSER

All CMP jets are transitioning to an upgraded polypropylene diffuser. Now every CMP customer can benefit from high chemical resistance and increased strength.

AVAILABLE IN ALL STANDARD STYLES

Typhoon is the standard and fully stocked body style for Wave, Crown, and Diamond collection jets. Contact your CMP representative for more information on Typhoon Advanced jets.



PRO-LOC VS TYPHOON REPLACEMENT & IDENTIFICATION GUIDE PAGE 84

TYPHOON ADVANCED JET COLLECTIONS

TYPHOON
ADVANCED



WAVE GRAPHITE GRAY
REFER TO PAGE 70



WAVE ACCENT
REFER TO PAGE 71



CROWN GRAPHITE GRAY
REFER TO PAGE 74



CROWN ACCENT
REFER TO PAGE 75



DIAMOND TEXTURED
REFER TO PAGE 78



DIAMOND STAINLESS STEEL
REFER TO PAGE 79

WAVE™ JETS | GRAPHITE GRAY

TYPHOON
ADVANCEDWAVE GRAPHITE
COLLECTION

PRODUCT FEATURES

- Popular Wave Design
- Graphite Gray Nozzles
- Complete Jet Collection
- Matching Wave and "S" Style Topside Control
- Use Typhoon Adv. Bodies pg 81

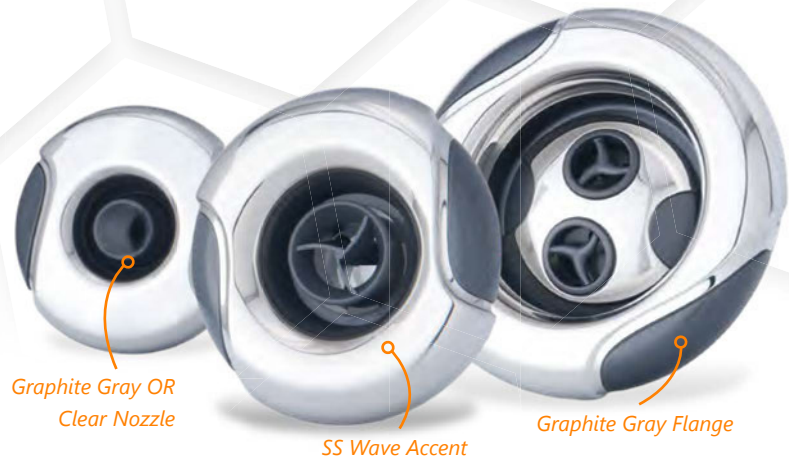


CMP P/N	JET STYLE	SERIES	JET SIZE	BOX / BAG
WAVE GRAPHITE GRAY TYPHOON JET INTERNALS				
23425-017-000	DIRECTIONAL	200	2"	400/50
23425-617-000	100% SHUT OFF DIRECTIONAL	200	2"	400/50
23425-027-000	BEARINGLESS ROTO	200	2"	400/50
23425-047-000	MASSAGE	200	2"	400/50
23435-117-000	DIRECTIONAL	300	3"	240/40
23435-017-000	DIRECTIONAL	300	3-5/16"	240/40
23435-147-000	MASSAGE	300	3"	240/40
23435-047-000	MASSAGE	300	3-5/16"	240/40
23435-117-720	VTX	300	3"	240/40
23435-017-720	VTX	300	3-5/16"	240/40
23435-127-000	SINGLE ROTO	300	3"	240/40
23435-027-000	SINGLE ROTO	300	3-5/16"	240/40
23435-137-000	DOUBLE ROTO	300	3"	240/40
23435-037-000	DOUBLE ROTO	300	3-5/16"	240/40
22435-127-000	BEARINGLESS ROTO	300	3"	240/40
22435-027-000	BEARINGLESS ROTO	300	3-5/16"	240/40
22435-137-000	BEARINGLESS DOUBLE ROTO	300	3"	240/40
22435-037-000	BEARINGLESS DOUBLE ROTO	300	3-5/16"	240/40
23445-117-000	DIRECTIONAL	400	4"	120/40
23445-017-000	DIRECTIONAL	400	4-1/2"	120/40
23445-147-000	MASSAGE	400	4"	120/40
23445-047-000	MASSAGE	400	4-1/2"	120/40
23445-117-720	VTX	400	4"	120/40
23445-017-720	VTX	400	4-1/2"	120/40
23445-127-000	SINGLE ROTO	400	4"	120/40
23445-027-000	SINGLE ROTO	400	4-1/2"	120/40
23445-137-000	DOUBLE ROTO	400	4"	120/40
23445-037-000	DOUBLE ROTO	400	4-1/2"	120/40
22445-127-000	BEARINGLESS ROTO	400	4"	120/40
22445-027-000	BEARINGLESS ROTO	400	4-1/2"	120/40
22445-137-000	BEARINGLESS DOUBLE ROTO	400	4"	120/40
22445-037-000	BEARINGLESS DOUBLE ROTO	400	4-1/2"	120/40
23455-017-000	DIRECTIONAL	500	5"	60/20
23455-047-000	MASSAGE	500	5"	60/20
23455-077-000	14 PORT ROTOSSAGE	500	5"	60/20
23455-057-000	7-PORT ROTOSSAGE	500	5"	60/20
23455-017-720	VTX	500	5"	60/20
23455-027-000	SINGLE ROTO	500	5"	60/20
23455-037-000	DOUBLE ROTO	500	5"	60/20
23455-067-000	ROTOPULSE	500	5"	60/20
22455-027-000	BEARINGLESS ROTO	500	5"	60/20
22455-037-000	BEARINGLESS DOUBLE ROTO	500	5"	60/20

WAVE SS ACCENT COLLECTION

PRODUCT FEATURES

- Stylish Stainless Steel Wave Design Accent
- Clear/LED Nozzles Option
- Matching Wave and "S" Style Topside Control
- Use Typhoon Adv. Bodies pg 87



CMP P/N	JET STYLE	SERIES	JET SIZE	NOZZLE COLOR	BOX / BAG
WAVE STAINLESS STEEL TYPHOON JET INTERNALS					
23425-012-700	DIRECTIONAL	200	2"	GRAPHITE GRAY	400/50
23425-012-999	DIRECTIONAL	200	2"	CLEAR / LED	400/50
23425-612-700	100% SHUT OFF DIRECTIONAL	200	2"	GRAPHITE GRAY	400/50
23425-612-999	100% SHUT OFF DIRECTIONAL	200	2"	CLEAR / LED	400/50
23425-022-700	BEARINGLESS ROTO	200	2"	GRAPHITE GRAY	400/50
23425-022-999	BEARINGLESS ROTO	200	2"	CLEAR / LED	400/50
23425-042-700	MASSAGE	200	2"	GRAPHITE GRAY	400/50
23425-047-999	MASSAGE	200	2"	CLEAR / LED	400/50
23435-112-700	DIRECTIONAL	300	3"	GRAPHITE GRAY	240/40
23435-112-999	DIRECTIONAL	300	3"	CLEAR / LED	240/40
23435-012-700	DIRECTIONAL	300	3-5/16"	GRAPHITE GRAY	240/40
23435-012-999	DIRECTIONAL	300	3-5/16"	CLEAR / LED	240/40
23435-142-700	MASSAGE	300	3"	GRAPHITE GRAY	240/40
23435-122-999	SINGLE ROTO	300	3"	CLEAR / LED	240/40
23435-042-700	MASSAGE	300	3-5/16"	GRAPHITE GRAY	240/40
23435-042-999	MASSAGE	300	3-5/16"	CLEAR / LED	240/40
23435-112-720	VTX	300	3"	GRAPHITE GRAY	240/40
23435-112-929	VTX	300	3"	CLEAR / LED	240/40
23435-012-720	VTX	300	3-5/16"	GRAPHITE GRAY	240/40
23435-012-929	VTX	300	3-5/16"	CLEAR / LED	240/40
23435-122-700	SINGLE ROTO	300	3"	GRAPHITE GRAY	240/40
23435-122-999	SINGLE ROTO	300	3"	CLEAR / LED	240/40
23435-022-700	SINGLE ROTO	300	3-5/16"	GRAPHITE GRAY	240/40
23435-022-999	SINGLE ROTO	300	3-5/16"	CLEAR / LED	240/40
23435-132-700	DOUBLE ROTO	300	3"	GRAPHITE GRAY	240/40
23435-132-999	DOUBLE ROTO	300	3"	CLEAR / LED	240/40
23435-032-700	DOUBLE ROTO	300	3-5/16"	GRAPHITE GRAY	240/40
23435-032-999	DOUBLE ROTO	300	3-5/16"	CLEAR / LED	240/40
22435-122-700	BEARINGLESS ROTO	300	3"	GRAPHITE GRAY	240/40
22435-122-999	BEARINGLESS ROTO	300	3"	CLEAR / LED	240/40
22435-022-700	BEARINGLESS ROTO	300	3-5/16"	GRAPHITE GRAY	240/40
22435-022-999	BEARINGLESS ROTO	300	3-5/16"	CLEAR / LED	240/40
22435-132-700	BEARINGLESS DOUBLE ROTO	300	3"	GRAPHITE GRAY	240/40
22435-132-999	BEARINGLESS DOUBLE ROTO	300	3"	CLEAR / LED	240/40
22435-032-700	BEARINGLESS DOUBLE ROTO	300	3-5/16"	GRAPHITE GRAY	240/40
22435-032-999	BEARINGLESS DOUBLE ROTO	300	3-5/16"	CLEAR / LED	240/40

CONTINUED NEXT PAGE

WAVE™ JETS | STAINLESS ACCENT

TYPHOON
ADVANCED

CMP P/N	JET STYLE	SERIES	JET SIZE	NOZZLE COLOR	BOX / BAG
WAVE STAINLESS STEEL TYPHOON JET INTERNALS					
23445-112-700	DIRECTIONAL	400	4"	GRAPHITE GRAY	120/40
23445-112-999	DIRECTIONAL	400	4"	CLEAR / LED	120/40
23445-012-700	DIRECTIONAL	400	4-3/8"	GRAPHITE GRAY	120/40
23445-012-999	DIRECTIONAL	400	4-3/8"	CLEAR / LED	120/40
23445-142-700	MASSAGE	400	4"	GRAPHITE GRAY	120/40
23445-142-999	MASSAGE	400	4"	CLEAR / LED	120/40
23445-042-700	MASSAGE	400	4-3/8"	GRAPHITE GRAY	120/40
23445-042-999	MASSAGE	400	4-3/8"	CLEAR / LED	120/40
23445-112-720	VTX	400	4"	GRAPHITE GRAY	120/40
23445-112-929	VTX	400	4"	CLEAR / LED	120/40
23445-012-720	VTX	400	4-3/8"	GRAPHITE GRAY	120/40
23445-012-929	VTX	400	4-3/8"	CLEAR / LED	120/40
23445-122-700	SINGLE ROTO	400	4"	GRAPHITE GRAY	120/40
23445-122-999	SINGLE ROTO	400	4"	CLEAR / LED	120/40
23445-022-700	SINGLE ROTO	400	4-3/8"	GRAPHITE GRAY	120/40
23445-022-999	SINGLE ROTO	400	4-3/8"	CLEAR / LED	120/40
23445-132-700	DOUBLE ROTO	400	4"	GRAPHITE GRAY	120/40
23445-132-999	DOUBLE ROTO	400	4"	CLEAR / LED	120/40
23445-032-700	DOUBLE ROTO	400	4-3/8"	GRAPHITE GRAY	120/40
23445-032-999	DOUBLE ROTO	400	4-3/8"	CLEAR / LED	120/40
22445-122-700	BEARINGLESS ROTO	400	4"	GRAPHITE GRAY	120/40
22445-122-999	BEARINGLESS ROTO	400	4"	CLEAR / LED	120/40
22445-022-700	BEARINGLESS ROTO	400	4-3/8"	GRAPHITE GRAY	120/40
22445-022-999	BEARINGLESS ROTO	400	4-3/8"	CLEAR / LED	120/40
22445-132-700	BEARINGLESS DOUBLE ROTO	400	4"	GRAPHITE GRAY	120/40
22445-132-999	BEARINGLESS DOUBLE ROTO	400	4"	CLEAR / LED	120/40
22445-032-700	BEARINGLESS DOUBLE ROTO	400	4-3/8"	GRAPHITE GRAY	120/40
22445-032-999	BEARINGLESS DOUBLE ROTO	400	4-3/8"	CLEAR / LED	120/40
23455-012-700	DIRECTIONAL	500	5"	GRAPHITE GRAY	120/40
23455-012-999	DIRECTIONAL	500	5"	CLEAR / LED	120/40
23455-042-700	MASSAGE	500	5"	GRAPHITE GRAY	60/20
23455-042-999	MASSAGE	500	5"	CLEAR / LED	60/20
23455-072-700	14 PORT ROTOSSAGE	500	5"	GRAPHITE GRAY	60/20
23455-072-999	14 PORT ROTOSSAGE	500	5"	CLEAR / LED	60/20
23455-052-700	7-PORT ROTOSSAGE	500	5"	GRAPHITE GRAY	60/20
23455-052-999	7-PORT ROTOSSAGE	500	5"	CLEAR / LED	60/20
23455-012-720	VTX	500	5"	GRAPHITE GRAY	60/20
23455-012-929	VTX	500	5"	CLEAR / LED	60/20
23455-022-700	SINGLE ROTO	500	5"	GRAPHITE GRAY	60/20
23455-022-999	SINGLE ROTO	500	5"	CLEAR / LED	60/20
23455-032-700	DOUBLE ROTO	500	5"	GRAPHITE GRAY	60/20
23455-032-999	DOUBLE ROTO	500	5"	CLEAR / LED	60/20
23455-062-720	ROTOPULSE	500	5"	GRAPHITE GRAY	60/20
23455-062-999	ROTOPULSE	500	5"	CLEAR / LED	60/20
22455-022-700	BEARINGLESS ROTO	500	5"	GRAPHITE GRAY	60/20
22455-022-999	BEARINGLESS ROTO	500	5"	CLEAR / LED	60/20
22455-032-700	BEARINGLESS DOUBLE ROTO	500	5"	GRAPHITE GRAY	60/20
22455-032-999	BEARINGLESS DOUBLE ROTO	500	5"	CLEAR / LED	60/20

WAVE WHIRLPOOL COLLECTION

PRODUCT FEATURES

- High Flow Whirlpool Jet Style
- Three Orifice Size Options
- Fits Whirlpool Series Body pg 87
- Adjustable or Non-Adjustable
- Graphite Gray or SS Flange
- Graphite Gray or Clear Directional Nozzle



ORDERING GUIDE

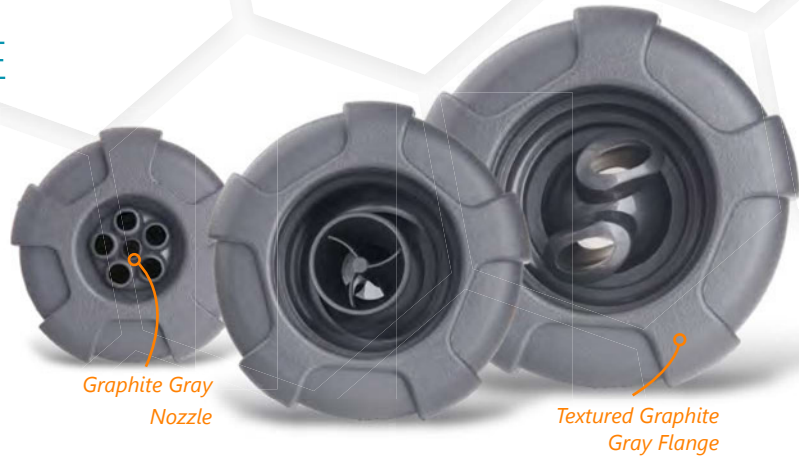
REF	CMP P/N	JET STYLE	SERIES	JET SIZE	NOZZLE COLOR	ORIFICE SIZE	BOX / BAG
WAVE GRAPHITE GRAY TYPHOON JET INTERNALS							
A	23850-317-000	ADJUSTABLE WHIRLPOOL	WP	5"	GRAPHITE GRAY	1" ORIFICE	60/20
A	23850-317-050	ADJUSTABLE WHIRLPOOL	WP	5"	GRAPHITE GRAY	1/2" ORIFICE	60/20
A	23850-317-075	ADJUSTABLE WHIRLPOOL	WP	5"	GRAPHITE GRAY	3/4" ORIFICE	60/20
A	23853-317-000	NON-ADJUSTABLE WHIRLPOOL	WP	5"	GRAPHITE GRAY	1" ORIFICE	60/20
A	23853-317-050	NON-ADJUSTABLE WHIRLPOOL	WP	5"	GRAPHITE GRAY	1/2" ORIFICE	60/20
A	23853-317-075	NON-ADJUSTABLE WHIRLPOOL	WP	5"	GRAPHITE GRAY	3/4" ORIFICE	60/20
WAVE STAINLESS STEEL TYPHOON JET INTERNALS							
B	23850-312-700	ADJUSTABLE WHIRLPOOL	WP	5"	GRAPHITE GRAY	1" ORIFICE	60/20
B	23850-312-999	ADJUSTABLE WHIRLPOOL	WP	5"	CLEAR / LED	1" ORIFICE	60/20
B	23850-312-950	ADJUSTABLE WHIRLPOOL	WP	5"	CLEAR / LED	1/2" ORIFICE	60/20
B	23850-312-775	ADJUSTABLE WHIRLPOOL	WP	5"	GRAPHITE GRAY	3/4" ORIFICE	60/20
B	23850-312-975	ADJUSTABLE WHIRLPOOL	WP	5"	CLEAR / LED	3/4" ORIFICE	60/20
B	23853-312-700	NON-ADJUSTABLE WHIRLPOOL	WP	5"	GRAPHITE GRAY	1" ORIFICE	60/20
B	23853-312-999	NON-ADJUSTABLE WHIRLPOOL	WP	5"	CLEAR / LED	1" ORIFICE	60/20
B	23853-312-750	NON-ADJUSTABLE WHIRLPOOL	WP	5"	GRAPHITE GRAY	1/2" ORIFICE	60/20
B	23853-312-950	NON-ADJUSTABLE WHIRLPOOL	WP	5"	CLEAR / LED	1/2" ORIFICE	60/20
B	23853-312-775	NON-ADJUSTABLE WHIRLPOOL	WP	5"	GRAPHITE GRAY	3/4" ORIFICE	60/20
B	23853-312-975	NON-ADJUSTABLE WHIRLPOOL	WP	5"	CLEAR / LED	3/4" ORIFICE	60/20

CROWN™ JETS | GRAPHITE GRAY

TYPHOON
ADVANCEDCROWN GRAPHITE
COLLECTION

PRODUCT FEATURES

- Sporty Crown Design
- Graphite Gray Nozzles
- Complete Jet Collection
- Matching Crown Topside Controls
- Use Typhoon Adv. Bodies pg 81

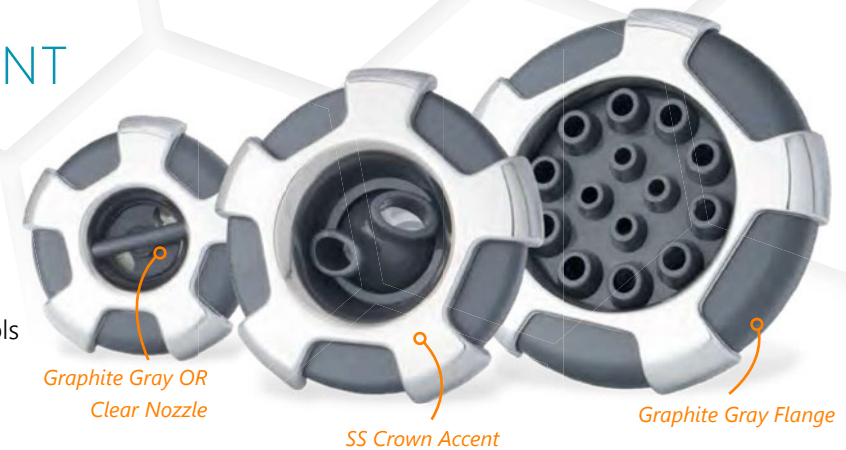
Graphite Gray
NozzleTextured Graphite
Gray Flange

CMP P/N	JET STYLE	SERIES	JET SIZE	BOX / BAG
CROWN GRAPHITE GRAY TYPHOON JET INTERNALS				
23426-017-000	DIRECTIONAL	200	2"	400/50
23426-617-000	100% SHUT OFF DIRECTIONAL	200	2"	400/50
23426-047-000	MASSAGE	200	2"	400/50
23426-027-000	BEARINGLESS ROTO	200	2"	400/50
23436-017-000	DIRECTIONAL	300	3-1/4"	240/40
23446-017-000	DIRECTIONAL	300	3-3/5"	240/40
23436-047-000	MASSAGE	300	3-1/4"	240/40
23446-047-000	MASSAGE	300	3-3/5"	240/40
23446-017-720	VTX	300	3-3/5"	240/40
23436-027-000	SINGLE ROTO	300	3-1/4"	240/40
23446-027-000	SINGLE ROTO	300	3-3/5"	240/40
23436-037-000	DOUBLE ROTO	300	3-1/4"	240/40
23446-037-000	DOUBLE ROTO	300	3-3/5"	240/40
22436-027-000	BEARINGLESS ROTO	300	3-1/4"	240/40
22446-027-000	BEARINGLESS ROTO	300	3-3/5"	240/40
22436-037-000	BEARINGLESS DOUBLE ROTO	300	3-1/4"	240/40
22446-037-000	BEARINGLESS DOUBLE ROTO	300	3-3/5"	240/40
23446-117-000	DIRECTIONAL	400	4-1/4"	120/40
23446-147-000	MASSAGE	400	4-1/4"	120/40
23446-117-720	VTX	400	4-1/4"	120/40
23446-127-000	SINGLE ROTO	400	4-1/4"	120/40
23446-137-000	DOUBLE ROTO	400	4-1/4"	120/40
22446-127-000	BEARINGLESS ROTO	400	4-1/4"	120/40
22446-137-000	BEARINGLESS DOUBLE ROTO	400	4-1/4"	120/40
23456-017-000	DIRECTIONAL	500	5-1/4"	60/20
23456-047-000	MASSAGE	500	5-1/4"	60/20
23456-057-000	7-PORT ROTOSSAGE	500	5-1/4"	60/20
23456-017-720	VTX	500	5-1/4"	60/20
23456-027-000	SINGLE ROTO	500	5-1/4"	60/20
23456-037-000	DOUBLE ROTO	500	5-1/4"	60/20
23456-077-000	PULSATOR	500	5-1/4"	60/20
23456-067-000	ROTOPULSE	500	5-1/4"	60/20
22456-027-000	BEARINGLESS ROTO	500	5-1/4"	60/20
22456-037-000	BEARINGLESS DOUBLE ROTO	500	5-1/4"	60/20

CROWN SS ACCENT COLLECTION

PRODUCT FEATURES

- Exciting Stainless Steel Crown Design Accent
- Clear/LED Nozzles Option
- Matching Crown Topside Controls
- Use Typhoon Adv. Bodies pg 81



CMP P/N	JET STYLE	SERIES	JET SIZE	NOZZLE COLOR	BOX / BAG
CROWN STAINLESS STEEL TYPHOON JET INTERNALS					
23426-012-700	DIRECTIONAL	200	2"	GRAPHITE GRAY	400/50
23426-012-999	DIRECTIONAL	200	2"	CLEAR / LED	400/50
23426-612-700	100% SHUT OFF DIRECTIONAL	200	2"	GRAPHITE GRAY	400/50
23426-612-999	100% SHUT OFF DIRECTIONAL	200	2"	CLEAR / LED	400/50
23426-042-700	MASSAGE	200	2"	GRAPHITE GRAY	400/50
23426-042-999	MASSAGE	200	2"	CLEAR / LED	400/50
23426-022-700	BEARINGLESS ROTO	200	2"	GRAPHITE GRAY	400/50
23426-022-999	BEARINGLESS ROTO	200	2"	CLEAR / LED	400/50
23436-012-700	DIRECTIONAL	300	3-1/4"	GRAPHITE GRAY	240/40
23436-012-999	DIRECTIONAL	300	3-1/4"	CLEAR / LED	240/40
23436-042-700	MASSAGE	300	3-1/4"	GRAPHITE GRAY	240/40
23436-042-999	MASSAGE	300	3-1/4"	CLEAR / LED	240/40
23436-022-700	SINGLE ROTO	300	3-1/4"	GRAPHITE GRAY	240/40
23436-022-999	SINGLE ROTO	300	3-1/4"	CLEAR / LED	240/40
23436-032-700	DOUBLE ROTO	300	3-1/4"	GRAPHITE GRAY	240/40
23436-032-999	DOUBLE ROTO	300	3-1/4"	CLEAR / LED	240/40
22436-022-700	BEARINGLESS ROTO	300	3-1/4"	GRAPHITE GRAY	240/40
22436-022-999	BEARINGLESS ROTO	300	3-1/4"	CLEAR / LED	240/40
22436-032-700	BEARINGLESS DOUBLE ROTO	300	3-1/4"	GRAPHITE GRAY	240/40
22436-032-999	BEARINGLESS DOUBLE ROTO	300	3-1/4"	CLEAR / LED	240/40
23446-012-700	DIRECTIONAL	400	3-3/5"	GRAPHITE GRAY	240/40
23446-012-999	DIRECTIONAL	400	3-3/5"	CLEAR / LED	240/40
23446-042-700	MASSAGE	400	3-3/5"	GRAPHITE GRAY	240/40
23446-042-999	MASSAGE	400	3-3/5"	CLEAR / LED	240/40
23446-012-720	VTX	400	3-3/5"	GRAPHITE GRAY	240/40
23446-012-929	VTX	400	3-3/5"	CLEAR / LED	240/40
23446-022-700	SINGLE ROTO	400	3-3/5"	GRAPHITE GRAY	240/40
23446-022-999	SINGLE ROTO	400	3-3/5"	CLEAR / LED	240/40
23446-032-700	DOUBLE ROTO	400	3-3/5"	GRAPHITE GRAY	240/40
23446-032-999	DOUBLE ROTO	400	3-3/5"	CLEAR / LED	240/40
22446-022-700	BEARINGLESS ROTO	400	3-3/5"	GRAPHITE GRAY	240/40
22446-022-999	BEARINGLESS ROTO	400	3-3/5"	CLEAR / LED	240/40
22446-032-700	BEARINGLESS DOUBLE ROTO	400	3-3/5"	GRAPHITE GRAY	240/40
22446-032-999	BEARINGLESS DOUBLE ROTO	400	3-3/5"	CLEAR / LED	240/40

CONTINUED NEXT PAGE

CROWN™ JETS | STAINLESS ACCENT

TYPHOON
ADVANCED

CMP P/N	JET STYLE	SERIES	JET SIZE	NOZZLE COLOR	BOX / BAG
CROWN STAINLESS STEEL TYPHOON JET INTERNALS					
23446-112-700	DIRECTIONAL	400	4-1/4"	GRAPHITE GRAY	120/40
23446-112-999	DIRECTIONAL	400	4-1/4"	CLEAR / LED	120/40
23446-142-700	MASSAGE	400	4-1/4"	GRAPHITE GRAY	120/40
23446-122-999	MASSAGE	400	4-1/4"	CLEAR / LED	120/40
23446-112-720	VTX	400	4-1/4"	GRAPHITE GRAY	120/40
23446-112-929	VTX	400	4-1/4"	CLEAR / LED	120/40
23446-122-700	SINGLE ROTO	400	4-1/4"	GRAPHITE GRAY	120/40
23446-122-999	SINGLE ROTO	400	4-1/4"	CLEAR / LED	120/40
23446-132-700	DOUBLE ROTO	400	4-1/4"	GRAPHITE GRAY	120/40
23446-132-999	DOUBLE ROTO	400	4-1/4"	CLEAR / LED	120/40
22446-122-700	BEARINGLESS ROTO	400	4-1/4"	GRAPHITE GRAY	120/40
22446-122-999	BEARINGLESS ROTO	400	4-1/4"	CLEAR / LED	120/40
22446-132-700	BEARINGLESS DOUBLE ROTO	400	4-1/4"	GRAPHITE GRAY	120/40
22446-132-999	BEARINGLESS DOUBLE ROTO	400	4-1/4"	CLEAR / LED	120/40
23456-012-700	DIRECTIONAL	500	5-1/4"	GRAPHITE GRAY	120/40
23456-012-999	DIRECTIONAL	500	5-1/4"	CLEAR / LED	120/40
23456-042-700	MASSAGE	500	5-1/4"	GRAPHITE GRAY	60/20
23456-042-999	MASSAGE	500	5-1/4"	CLEAR / LED	60/20
23456-052-700	7-PORT ROTOSSAGE	500	5-1/4"	GRAPHITE GRAY	60/20
23456-052-999	7-PORT ROTOSSAGE	500	5-1/4"	CLEAR / LED	60/20
23456-012-720	VTX	500	5-1/4"	GRAPHITE GRAY	60/20
23456-012-929	VTX	500	5-1/4"	CLEAR / LED	60/20
23456-022-700	SINGLE ROTO	500	5-1/4"	GRAPHITE GRAY	60/20
23456-022-999	SINGLE ROTO	500	5-1/4"	CLEAR / LED	60/20
23456-032-999	DOUBLE ROTO	500	5-1/4"	CLEAR / LED	60/20
23456-072-700	PULSATOR	500	5-1/4"	GRAPHITE GRAY	60/20
23456-072-999	PULSATOR	500	5-1/4"	CLEAR / LED	60/20
23456-062-700	ROTOPULSE	500	5-1/4"	GRAPHITE GRAY	60/20
23456-062-999	ROTOPULSE	500	5-1/4"	CLEAR / LED	60/20
22456-022-700	BEARINGLESS ROTO	500	5-1/4"	GRAPHITE GRAY	60/20
22456-022-999	BEARINGLESS ROTO	500	5-1/4"	CLEAR / LED	60/20
22456-032-700	BEARINGLESS DOUBLE ROTO	500	5-1/4"	GRAPHITE GRAY	60/20
22456-032-999	BEARINGLESS DOUBLE ROTO	500	5-1/4"	CLEAR / LED	60/20

CROWN WHIRLPOOL COLLECTION

PRODUCT FEATURES

- High Flow Whirlpool Jet Style
- Three Orifice Size Options
- Fits Whirlpool Series Body pg 87
- Adjustable or Non-Adjustable
- Graphite Gray or Clear Directional Nozzle
- Graphite Gray or SS Accent



ORDERING GUIDE

REF	CMP P/N	JET STYLE	SERIES	JET SIZE	NOZZLE COLOR	ORIFICE SIZE	BOX / BAG
CROWN GRAPHITE GRAY TYPHOON JET INTERNALS							
A	23850-417-000	ADJUSTABLE WHIRLPOOL	WP	5"	GRAPHITE GRAY	1" ORIFICE	60/20
A	23850-417-050	ADJUSTABLE WHIRLPOOL	WP	5"	GRAPHITE GRAY	1/2" ORIFICE	60/20
A	23850-417-075	ADJUSTABLE WHIRLPOOL	WP	5"	GRAPHITE GRAY	3/4" ORIFICE	60/20
A	23853-417-000	NON-ADJUSTABLE WHIRLPOOL	WP	5"	GRAPHITE GRAY	1" ORIFICE	60/20
A	23853-417-050	NON-ADJUSTABLE WHIRLPOOL	WP	5"	GRAPHITE GRAY	1/2" ORIFICE	60/20
A	23853-417-075	NON-ADJUSTABLE WHIRLPOOL	WP	5"	GRAPHITE GRAY	3/4" ORIFICE	60/20
CROWN STAINLESS STEEL TYPHOON JET INTERNALS							
B	23850-412-700	ADJUSTABLE WHIRLPOOL	WP	5"	GRAPHITE GRAY	1" ORIFICE	60/20
B	23850-412-999	ADJUSTABLE WHIRLPOOL	WP	5"	CLEAR / LED	1" ORIFICE	60/20
B	23850-412-750	ADJUSTABLE WHIRLPOOL	WP	5"	GRAPHITE GRAY	1/2" ORIFICE	60/20
B	23850-412-950	ADJUSTABLE WHIRLPOOL	WP	5"	CLEAR / LED	1/2" ORIFICE	60/20
B	23850-412-775	ADJUSTABLE WHIRLPOOL	WP	5"	GRAPHITE GRAY	3/4" ORIFICE	60/20
B	23850-412-975	ADJUSTABLE WHIRLPOOL	WP	5"	CLEAR / LED	3/4" ORIFICE	60/20
B	23853-412-700	NON-ADJUSTABLE WHIRLPOOL	WP	5"	GRAPHITE GRAY	1" ORIFICE	60/20
B	23853-412-999	NON-ADJUSTABLE WHIRLPOOL	WP	5"	CLEAR / LED	1" ORIFICE	60/20
B	23853-412-750	NON-ADJUSTABLE WHIRLPOOL	WP	5"	GRAPHITE GRAY	1/2" ORIFICE	60/20
B	23853-412-950	NON-ADJUSTABLE WHIRLPOOL	WP	5"	CLEAR / LED	1/2" ORIFICE	60/20
B	23853-412-775	NON-ADJUSTABLE WHIRLPOOL	WP	5"	GRAPHITE GRAY	3/4" ORIFICE	60/20
B	23853-412-975	NON-ADJUSTABLE WHIRLPOOL	WP	5"	CLEAR / LED	3/4" ORIFICE	60/20

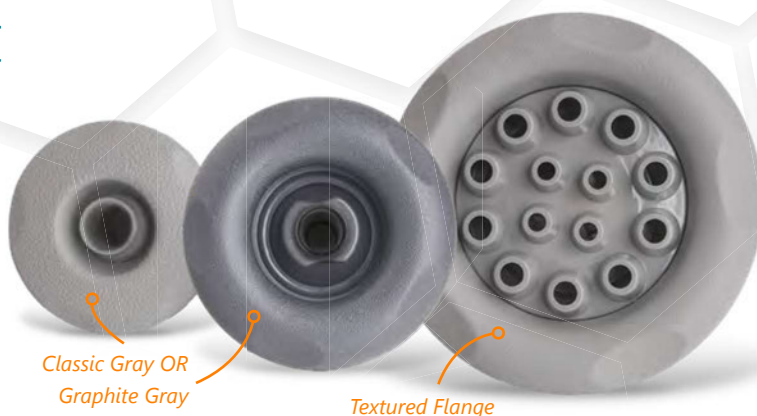
DIAMOND™ JETS | TEXTURED PLASTIC



DIAMOND PLASTIC COLLECTION

PRODUCT FEATURES

- Traditional Scalloped Jet Design
- Graphite Gray or Classic Gray
- Matching Diamond Topside Control Valves
- Use Typhoon Adv. Bodies pg 81



2" 200 SERIES	3" 300 SERIES	3-5/16" 300 SERIES	3-3/8" 400 SERIES	JET STYLE	FLANGE STYLE	NOZZLE COLOR
DIAMOND TEXTURED PLASTIC TYPHOON JET INTERNALS						
23422-117-090	—	—	—	NON-ADJ. DIR.	GRAPHITE GRAY	GRAPHITE GRAY
23422-119-090	—	—	—	NON-ADJ. DIR.	CLASSIC GRAY	CLASSIC GRAY
23422-617-000	—	—	—	100% SHUT-OFF DIR.	GRAPHITE GRAY	GRAPHITE GRAY
23422-107-000	—	—	—	NO NOZZLE / DIR.	GRAPHITE GRAY	GRAPHITE GRAY
23422-109-000	—	—	—	NO NOZZLE / DIR.	CLASSIC GRAY	CLASSIC GRAY
23422-117-000	23432-217-000	23432-817-000	23442-117-000	DIRECTIONAL	GRAPHITE GRAY	GRAPHITE GRAY
23422-119-000	23432-219-000	23432-819-000	23442-119-000	DIRECTIONAL	CLASSIC GRAY	CLASSIC GRAY
23422-217-000	—	—	—	BEARINGLESS ROTO	GRAPHITE GRAY	GRAPHITE GRAY
23422-219-000	—	—	—	BEARINGLESS ROTO	CLASSIC GRAY	CLASSIC GRAY
—	23432-147-000	23432-847-000	23442-337-000	MASSAGE	GRAPHITE GRAY	GRAPHITE GRAY
—	23432-149-000	23432-849-000	23442-339-000	MASSAGE	CLASSIC GRAY	CLASSIC GRAY
—	23432-317-000	23432-827-000	23442-327-000	SINGLE ROTO	GRAPHITE GRAY	GRAPHITE GRAY
—	23432-319-000	23432-829-000	23442-329-000	SINGLE ROTO	CLASSIC GRAY	CLASSIC GRAY
—	23432-327-000	23432-837-000	23442-217-000	DOUBLE ROTO	GRAPHITE GRAY	GRAPHITE GRAY
—	23432-329-000	23432-839-000	23442-219-000	DOUBLE ROTO	CLASSIC GRAY	CLASSIC GRAY

4" 400 SERIES	4-3/8" 400 SERIES	5" 500 SERIES	JET STYLE	FLANGE STYLE	NOZZLE COLOR
DIAMOND TEXTURED PLASTIC TYPHOON JET INTERNALS					
23442-437-000	23442-317-000	23452-117-000	DIRECTIONAL	GRAPHITE GRAY	GRAPHITE GRAY
23442-439-000	23442-319-000	23452-119-000	DIRECTIONAL	CLASSIC GRAY	CLASSIC GRAY
23442-407-000	—	23452-817-000	MASSAGE	GRAPHITE GRAY	GRAPHITE GRAY
23442-409-000	—	23452-819-000	MASSAGE	CLASSIC GRAY	CLASSIC GRAY
—	—	23452-717-000	14-PORT ROTOSSAGE	GRAPHITE GRAY	GRAPHITE GRAY
—	—	23452-719-000	14-PORT ROTOSSAGE	CLASSIC GRAY	CLASSIC GRAY
—	—	23452-147-000	7-PORT ROTOSSAGE	GRAPHITE GRAY	GRAPHITE GRAY
—	—	23452-749-900	7-PORT ROTOSSAGE	CLASSIC GRAY	CLASSIC GRAY
—	—	23452-217-000	PULSATOR	GRAPHITE GRAY	GRAPHITE GRAY
—	—	23452-219-000	PULSATOR	CLASSIC GRAY	CLASSIC GRAY
23442-417-000	23442-127-000	23452-227-000	SINGLE ROTO	GRAPHITE GRAY	GRAPHITE GRAY
23442-419-000	23442-129-000	23452-229-000	SINGLE ROTO	CLASSIC GRAY	CLASSIC GRAY
23442-427-000	23442-227-000	23452-317-000	DOUBLE ROTO	GRAPHITE GRAY	GRAPHITE GRAY
23442-429-000	23442-229-000	23452-319-000	DOUBLE ROTO	CLASSIC GRAY	CLASSIC GRAY
—	—	23850-117-000	1" ADJ. WHIRLPOOL	GRAPHITE GRAY	GRAPHITE GRAY
—	—	23850-119-900	1" ADJ. WHIRLPOOL	CLASSIC GRAY	CLASSIC GRAY
—	—	23850-117-000	3/4" ADJ. WHIRLPOOL	GRAPHITE GRAY	GRAPHITE GRAY
—	—	23853-117-000	1" NON-ADJ. WHIRLPOOL	GRAPHITE GRAY	GRAPHITE GRAY
—	—	23853-119-900	1" NON-ADJ. WHIRLPOOL	CLASSIC GRAY	CLASSIC GRAY
—	—	23853-117-075	1" NON-ADJ. WHIRLPOOL	GRAPHITE GRAY	GRAPHITE GRAY
—	—	23853-119-975	1" NON-ADJ. WHIRLPOOL	CLASSIC GRAY	CLASSIC GRAY

DIAMOND™ JETS | STAINLESS STEEL

TYPHOON
ADVANCED

DIAMOND SS COLLECTION

PRODUCT FEATURES

- Traditional Scalloped Jet Design
- Stainless Steel Escutcheon
- Matching Diamond Topside Control Valves
- Use Typhoon Adv. Bodies pg 81



2" 200 SERIES	3" 300 SERIES	3-5/16" 300 SERIES	3-3/8" 400 SERIES	JET STYLE	FLANGE STYLE	NOZZLE COLOR
DIAMOND STAINLESS STEEL TYPHOON JET INTERNALS						
23422-112-090	—	—	—	NON-ADJ. DIR.	STAINLESS STEEL	GRAPHITE GRAY
23422-112-990	—	—	—	NON-ADJ. DIR.	STAINLESS STEEL	CLASSIC GRAY
23422-612-700	—	—	—	100% SHUT-OFF DIR.	STAINLESS STEEL	GRAPHITE GRAY
23422-102-000	—	—	—	NO NOZZLE / DIR.	STAINLESS STEEL	GRAPHITE GRAY
23422-102-900	—	—	—	NO NOZZLE / DIR.	STAINLESS STEEL	CLASSIC GRAY
23422-112-000	23432-212-000	23432-812-700	23442-112-000	DIRECTIONAL	STAINLESS STEEL	GRAPHITE GRAY
—	23432-212-900	23432-812-900	23442-112-900	DIRECTIONAL	STAINLESS STEEL	CLASSIC GRAY
23422-212-000	—	—	—	BEARINGLESS ROTO	STAINLESS STEEL	GRAPHITE GRAY
23422-212-900	—	—	—	BEARINGLESS ROTO	STAINLESS STEEL	CLASSIC GRAY
—	23432-142-000	23432-842-700	23442-332-000	MASSAGE	STAINLESS STEEL	GRAPHITE GRAY
—	23432-142-900	23432-842-900	23442-332-900	MASSAGE	STAINLESS STEEL	CLASSIC GRAY
—	23432-142-000	23432-822-700	23442-322-000	SINGLE ROTO	STAINLESS STEEL	GRAPHITE GRAY
—	23432-142-900	23432-822-900	23442-322-900	SINGLE ROTO	STAINLESS STEEL	CLASSIC GRAY
—	23432-322-000	23432-832-000	23442-212-000	DOUBLE ROTO	STAINLESS STEEL	GRAPHITE GRAY
—	23432-322-900	23432-832-900	23442-212-900	DOUBLE ROTO	STAINLESS STEEL	CLASSIC GRAY
4" 400 SERIES	4-3/8" 400 SERIES	5" 500 SERIES		JET STYLE	FLANGE STYLE	NOZZLE COLOR

DIAMOND STAINLESS STEEL TYPHOON JET INTERNALS						
23442-432-000	23442-312-000	23452-112-000		DIRECTIONAL	STAINLESS STEEL	GRAPHITE GRAY
23442-432-900	23442-312-900	23452-112-900		DIRECTIONAL	STAINLESS STEEL	CLASSIC GRAY
23442-402-000	—	23452-812-000		MASSAGE	STAINLESS STEEL	GRAPHITE GRAY
—	—	23452-812-900		MASSAGE	STAINLESS STEEL	CLASSIC GRAY
—	—	23452-712-000		14-PORT ROTOSSAGE	STAINLESS STEEL	GRAPHITE GRAY
—	—	23452-712-900		14-PORT ROTOSSAGE	STAINLESS STEEL	CLASSIC GRAY
—	—	23452-142-000		7-PORT ROTOSSAGE	STAINLESS STEEL	GRAPHITE GRAY
—	—	23452-142-900		7-PORT ROTOSSAGE	STAINLESS STEEL	CLASSIC GRAY
—	—	23452-212-000		PULSATOR	STAINLESS STEEL	GRAPHITE GRAY
—	—	23452-212-900		PULSATOR	STAINLESS STEEL	CLASSIC GRAY
23442-412-000	23442-122-000	23452-222-000		SINGLE ROTO	STAINLESS STEEL	GRAPHITE GRAY
23442-412-900	23442-122-900	23452-222-900		SINGLE ROTO	STAINLESS STEEL	CLASSIC GRAY
23442-422-000	23442-222-000	23452-312-000		DOUBLE ROTO	STAINLESS STEEL	GRAPHITE GRAY
23442-422-900	23442-222-900	23452-312-900		DOUBLE ROTO	STAINLESS STEEL	CLASSIC GRAY
—	—	23850-112-700		1" ADJ. WHIRLPOOL	STAINLESS STEEL	GRAPHITE GRAY
—	—	23850-112-900		1" ADJ. WHIRLPOOL	STAINLESS STEEL	CLASSIC GRAY
—	—	23850-112-075		3/4" ADJ. WHIRLPOOL	STAINLESS STEEL	GRAPHITE GRAY
—	—	23853-112-700		1" NON-ADJ. WHIRLPOOL	STAINLESS STEEL	GRAPHITE GRAY
—	—	23853-112-900		1" NON-ADJ. WHIRLPOOL	STAINLESS STEEL	CLASSIC GRAY
—	—	23853-112-775		1" NON-ADJ. WHIRLPOOL	STAINLESS STEEL	GRAPHITE GRAY
—	—	23853-112-975		1" NON-ADJ. WHIRLPOOL	STAINLESS STEEL	CLASSIC GRAY

TYPHOON ADVANCED™ JET BODIES

TYPHOON
ADVANCED

STANDARD JET BODIES

- White Jet Bodies
- Smooth or Ribbed Barb
- Available with Check Valves
- Nut Included (Bagged Separately)



200 SERIES

300 SERIES

400 SERIES

500 SERIES

ORDERING GUIDE

200 SERIES	300 SERIES	400 SERIES	500 SERIES	DESCRIPTION	GASKET STYLE
TYPHOON ADVANCED JET BODIES					
23422-000-000	23432-000-000	23442-000-000	23452-000-000	3/4" RB × 3/8" RB AIR,	CLEAR "L"
23422-000-100	23432-000-100	23442-000-100	23452-000-100	3/4" RB × 3/8" RB AIR	GRAY EPDM
23422-000-300	23432-000-300	23442-000-300	23452-000-300	3/4" RB × 3/8" RB AIR	EPDM COMP "L"
23422-000-500	23432-000-500	23442-000-500	23452-000-500	3/4" RB × 3/8" RB AIR	NO GASKET
23422-100-000	23432-100-000	—	—	3/4" RB WATER ONLY	CLEAR "L"
23422-100-300	23432-100-300	—	—	3/4" RB WATER ONLY	EPDM COMP "L"
23422-100-390	23432-100-390	—	—	3/4" SB WATER ONLY	EPDM COMP "L"
23422-200-000	23432-200-000	23442-200-000	23452-200-000	3/4" SB × 3/8" SB AIR	NO GASKET
23422-200-100	23432-200-100	23442-200-100	—	3/4" SB × 3/8" SB AIR	EPDM COMP GASKET
23422-200-300	23432-200-300	23442-200-300	23452-200-300	3/4" SB × 3/8" SB AIR	EPDM COMP "L"
23422-600-100	23432-600-100	23442-600-100	23452-600-100	1/2" S × 3/8" SB AIR	EPDM COMP
23422-400-000	23432-400-000	23442-400-000	23452-400-000	3/4" S × 3/8" RB AIR	NO GASKET
TYPHOON ADVANCED JET BODIES WITH CHECK VALVES					
23422-010-000	23432-010-000	23442-010-000	23452-010-000	3/4" RB × 3/8" RB	CLEAR "L"
23422-020-000	23432-020-000	23442-020-000	23452-020-000	3/4" RB × 3/8" RB	EPDM COMP

TYPHOON ADVANCED™ JET BODIES

TYPHOON
ADVANCED

CLEAR JET BODIES

- LED Ready
- Compatible with CMP LED Clip (page 83)
- Available with Check Valves
- Nut Included (also sold separately)



200 SERIES	300 SERIES	400 SERIES	500 SERIES	DESCRIPTION	GASKET STYLE
TYPHOON ADVANCED CLEAR LED-READY JET BODIES					
23422-299-000	23432-299-000	23442-299-000	23452-299-000	3/4" RB × 3/8" RB AIR	NO GASKET
23422-299-200	23432-299-200	23442-299-200	23452-299-200	3/4" RB × 3/8" RB AIR	CLEAR "L"
23422-299-300	23432-299-300	23442-299-300	23452-299-300	3/4" SB × 3/8" SB AIR	EPDM COMP "L"
TYPHOON ADVANCED CLEAR LED-READY JET BODIES WITH CHECK VALVES					
23422-699-000	23432-699-000	23442-699-000	23452-699-000	1/2" S × 3/8" RB AIR	EPDM COMP "L"

WHIRLPOOL JET BODIES

- For CMP Typhoon Whirlpool Jets
- White Jet Bodies
- Nut Included (also sold separately)



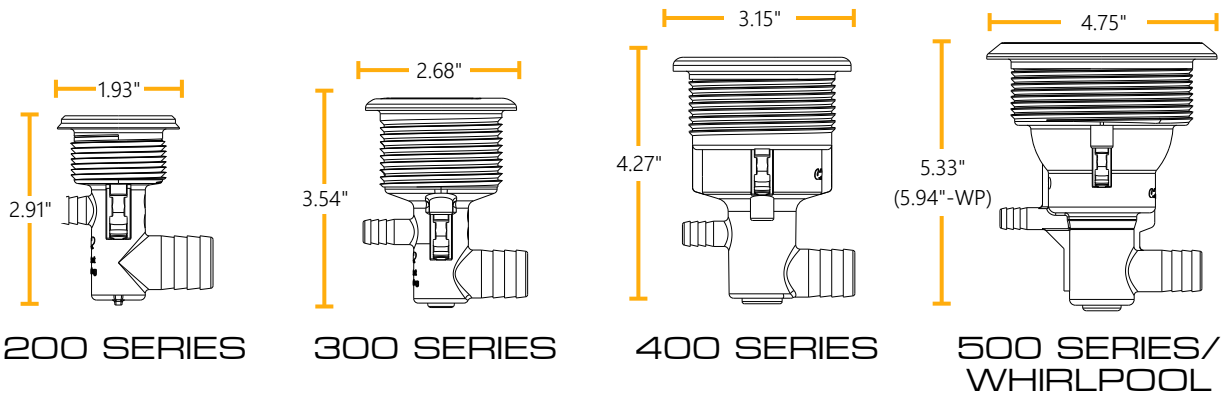
CMP P/N	DESCRIPTION	GASKET STYLE
TYPHOON ADVANCED WHIRLPOOL JET BODIES		
23850-001-000	1-1/2" S WATER × 1/2" S AIR	GRAY EPDM COMP
23850-000-100	1-1/2" S WATER × 1/2" S AIR	WHITE EPDM COMP
23850-000-300	1-1/2" S WATER × 1/2" S AIR	CLEAR "L"
23851-000-000	1-1/2" S WATER × 1/2" S AIR	NO GASKET
23850-100-000	1" S WATER × 1/2" S AIR	NO GASKET
23850-100-200	1" S WATER × 1/2" S AIR	CLEAR "L"
23850-100-100	1" S WATER × 1/2" S AIR	EPDM COMP
23850-100-300	1" S WATER × 1/2" S AIR	EPDM COMP "L"
23850-110-000	1" S WATER × 1/2" S AIR & CHECK VALVE	NO GASKET
WHIRLPOOL BODY ACCESSORIES		
23850-000-500	1/2" ORIFICE INSERT	—
23850-000-750	3/4" ORIFICE INSERT	—

TYPHOON ADVANCED™ JET BODIES

TYPHOON
ADVANCED

TECHNICAL GUIDE

- Buttress Thread
- Clear Bodies Available
- Gaskets & Compensator Ring Available
- For Pro-Loc Bodies, see page 64



HOLE SIZE	HOLE SIZE W/ "L" GASKET	COMPATIBLE JET INTERNALS	DESCRIPTION	BOX/BAG
1-1/2"	—	2"	200 SERIES JET BODIES	400/50
2-3/16"	2-5/16"	3", 3-1/4", 3-5/16"	300 SERIES JET BODIES	240/50
2-5/8"	2-3/4"	3-3/8", 3-3/5", 4", 4-3/8"	400 SERIES JET BODIES	240
3-3/4"	3-15/16"	5", 5-1/4"	500 SERIES JET BODIES	60
3-3/4"	3-15/16"	ALL WHIRLPOOL	WHIRLPOOL JET BODIES	60



ORDERING GUIDE

REF	200 SERIES	300 SERIES	400 SERIES	500 SERIES	DESCRIPTION
TYPHOON ADVANCED JET BODY ACCESSORIES					
A	26200-237-200	26200-237-300	26200-237-400	26200-237-500	WHITE EPDM COMP GASKET
A	26200-237-201	26200-237-301	26200-237-401	26200-237-501	GRAY EPDM COMP GASKET
—	26200-234-221	26200-234-321	26200-234-421	26200-234-521	GRAY EPDM COMP "L" GASKET
B	23422-000-050	23432-000-050	23442-000-050	23452-000-050	CLEAR TPE "L" GASKET
C	23422-000-010	23432-000-010	23442-000-010	23452-000-010	COMPENSATOR RING
D	23422-000-040	23432-000-040	23442-000-040	23452-000-040	JET BODY NUT
E	23422-999-999	23432-999-999	23442-999-999	23452-999-999	JET WRENCH
F	29222-299-020	29222-299-020	29222-299-020	29222-299-020	UNIVERSAL LED PORT CLIP
—	23422-000-316	—	—	—	3/16" ORIFICE REDUCER
—	—	23432-000-025	—	—	1/4" ORIFICE REDUCER
—	23750-000-040	23750-000-040	23750-000-040	23750-000-040	CHECK VALVE FOR 3/8" AIR INLET PORT NEW



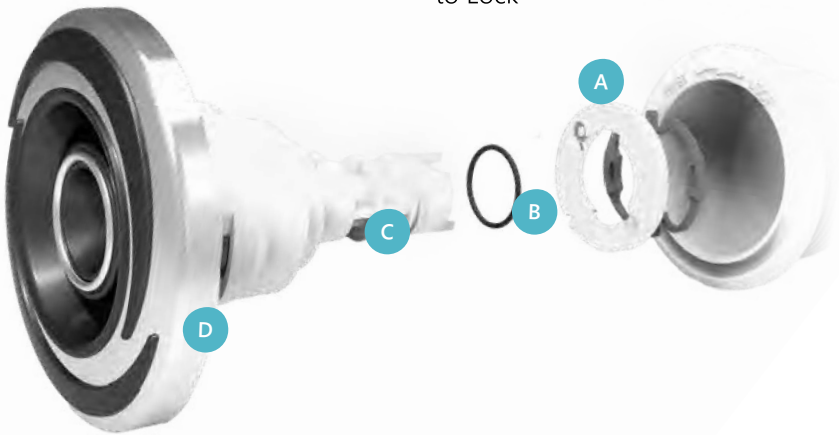
HOW TO IDENTIFY PRO-LOC™ VS TYPHOON™

- CMP manufactures two jet insert and body systems, *Pro-Loc & Typhoon Advanced*
- **These two systems are not interchangeable.** Never try to force a jet to fit if you are unsure of the fit.
- Use the guidelines below to identify each style. Some variations may occur, always contact the OEM if possible to confirm your jet selection.

PRO-LOC™ JET SYSTEM

PRO-LOC™ SYSTEM

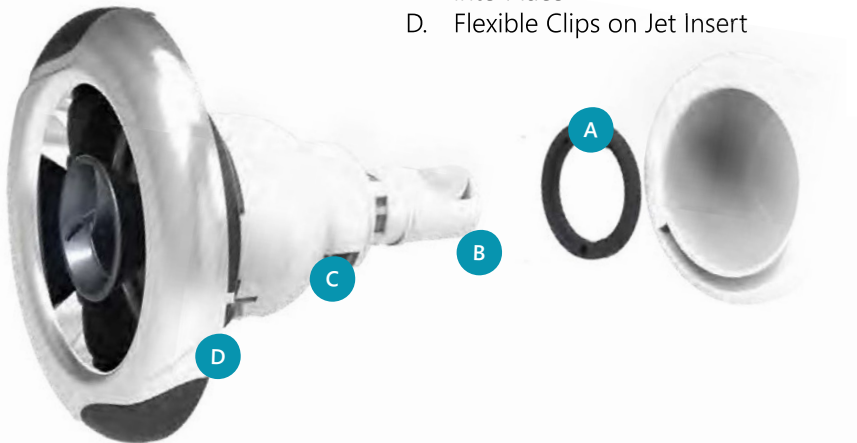
- White Locking Ring in Jet Body*
- O-ring on Jet Shaft**
- Rigid Locking Tabs on Jet Insert
- Installs by Pressing & Turning to Lock



TYPHOON ADVANCED

TYPHOON ADVANCED™ SYSTEM

- Black OR Gray Snap-Clip Ring in Jet Body*
- NO O-ring on Jet Shaft**
- Installs by Pressing & Snapping into Place
- Flexible Clips on Jet Insert



*Does not apply to 200 Series Jets

**It is possible the o-ring could be broken or removed. Always check other indicators to confirm.

TWIST-LOC CLUSTER JETS

EXCLUSIVE CLUSTER JET DESIGN

READY FOR LED LIGHTING

Twist-Loc Cluster Jets are designed for easier installation. Also, the single-piece face design has a cleaner installed appearance.

As part of the CMP total spa design program these new cluster jets are available in classic or SQR styles. The clear Twist-Loc cluster jets can be lit by utilizing the patent CMP LED clip. These are the first true cluster style jets capable of LED accent lighting.



PRODUCT FEATURES

- Standard or LED-Ready Jets
- Available in SQR Body Style
- Choice of Halo or Leaf Jet Face Design



ORDERING GUIDE

REF	CMP P/N	DESCRIPTION
"TWIST-LOC" CLUSTER JETS		
A	29211-011-100	STAINLESS STEEL, GRAPHITE GRAY HALO, CLEAR LED-READY NOZZLE *
B	29211-011-000	STAINLESS STEEL, GRAPHITE GRAY HALO, SILVER NOZZLE
C	29211-001-500	STAINLESS STEEL, GRAPHITE GRAY LEAF, SILVER NOZZLE NEW
D	29210-289-000	CLEAR LED-READY TWIST-LOC CLUSTER JET BODY *

JUMBO JETS

15/BOX



ORDERING GUIDE

REF	CMP P/N	DESCRIPTION
7" ROTATIONAL JUMBO JET INTERNALS		
A	23570-127-000	GRAPHITE GRAY, SMOOTH, 8-SCALLOP
A	23571-121-000	CLASSIC GRAY, TEXTURED, 5-SCALLOP
7" MASSAGE JUMBO JET INTERNALS		
B	23570-147-000	CLASSIC GRAY, SMOOTH, 8-SCALLOP
B	23570-242-000	STAINLESS STEEL, GRAPHITE GRAY, 8-SCALLOP (ADJUSTABLE)
B	23570-247-000	GRAPHITE GRAY, 8-SCALLOP
B	23571-141-000	CLASSIC GRAY, TEXTURED, 5-SCALLOP
B	23570-142-000	STAINLESS STEEL, 8-SCALLOP, GRAPHITE GRAY
B	23570-142-999	STAINLESS STEEL, CLEAR/LED READY EYEBALL ✨
7.25" CROWN MASSAGE JUMBO JET INTERNALS		
C	23476-062-000	GRAPHITE GRAY/STAINLESS STEEL
7" ROTOSSAGE JUMBO JET INTERNAL & JET BODY		
D	23572-177-000	CLASSIC GRAY
D	23572-172-000	STAINLESS STEEL

JUMBO JET BODIES

PRODUCT FEATURES

- Bodies Include Plugs & Adapters
- Roto Body has Both Opposite and Same-side Water/Air Connections
- 5-3/4" Hole Size



ORDERING GUIDE

REF	CMP P/N	DESCRIPTION	BOX QTY
7" JUMBO JET BODIES			
A	23470-299-000	LED MESSAGE JET BODY W/ TWO 3/8" ADAPTERS & ONE PLUG, 2" SP WATER	15
B	23470-200-000	MESSAGE JET BODY W/ TWO 3/8" ADAPTERS & ONE PLUG, 2" SP WATER	15
B	23470-100-000	NON-ADJ MESSAGE JET BODY W/ 3/4" RB×3/8" ADAPTER, 1" SLIP WATER	15
B	23470-300-000	ADJ MESSAGE JET BODY, W/ 3/4" RB ADAPTER, 1" SLIP WATER	15
C	23470-000-000	ROTO JET BODY W/ 3/4" ADAPTERS, 1" SLIP WATER	15
—	26200-234-701	7" JET COMPRESSION SEAL GASKET	—
—	23470-000-050	7" JET BODY CLEAR RIBBED L-GASKET NEW	—
—	23470-200-999	7" JET BODY WRENCH NEW	—



**7" JUMBO
MESSAGE
JET**

EURO JETS

PRODUCT FEATURES

- Sleek, Low Profile Jets
- Designed for Multiple Plumbing Variations
- 15/16" Hole Size
- 100 per Box / 50 per Bag



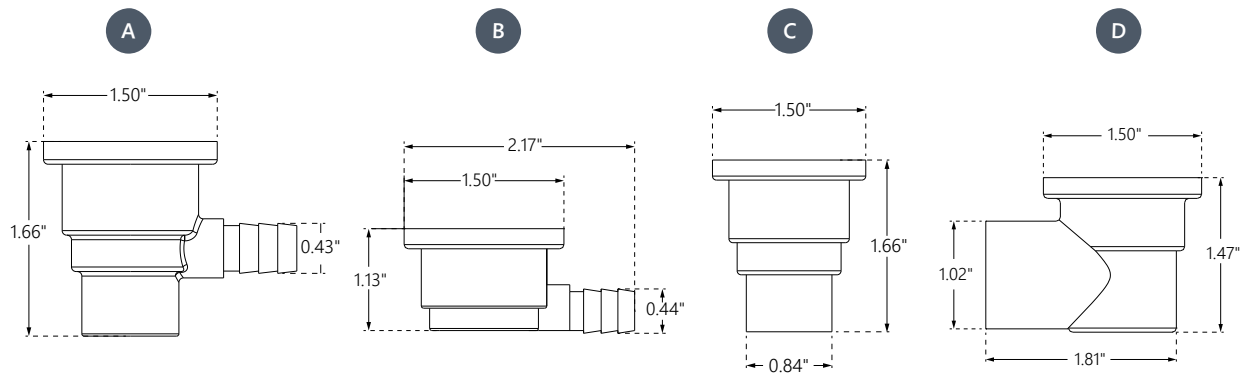
ORDERING GUIDE

REF	CMP P/N	NOZZLE STYLE	COLOR / TEXTURE / STYLE
EURO JETS & CLUSTER JETS			
A	23500-121-000	1-5/8" ROTO EURO JET	CLASSIC GRAY / 5-SCALLOP
—	23503-072-000	1-1/2" EURO JET	SS / SMOOTH / GRAPHITE GRAY
—	23503-107-000	1-1/2" EURO JET	GRAPHITE GRAY / SMOOTH
—	24522-009-000	1-1/2" EURO JET	CLASSIC GRAY / FLUSH FACE
—	23505-104-000	1-3/4" EURO JET	BLACK / TEXTURED / 5-SCALLOP
B	23504-202-400	2" EURO JET	STAINLESS STEEL / BLACK / SMOOTH
B	23504-202-600	2" EURO JET	STAINLESS STEEL / LIGHT GRAY / SMOOTH
—	23504-207-000	2" EURO JET	GRAPHITE GRAY / SMOOTH

EURO JET BODIES & ACCESSORIES



Euro Bodies fit all CMP Euro Internals
Body Includes Complete Assembly



ORDERING GUIDE

REF	CMP P/N	DESCRIPTION	BOX/BAG
EURO JET BODIES			
A	23400-400-000	1/4" SLIP WATER × 3/8" RIBBED BARB AIR	15
B	23400-500-000	3/8" RIBBED BARB WATER	15
C	23400-600-000	1/4" SOCKET WATER, NO AIR	15
D	23400-700-000	1/2" SOCKET WATER, NO AIR	15
EURO JET ACCESSORIES			
E	21034-000-000	90° 3/4" BARB ADAPTER, 1/4" SPIGOT × 3/4" RIBBED BARB	1000/50
—	21031-020-000	STRAIGHT 3/4" BARB ADAPTER, 1/4" SPIGOT × 3/4" RIBBED BARB	1000/50
—	21034-300-000	90° 1/4" SPIGOT × 3/4" SMOOTH BARB	1000/50
—	26200-235-030	EURO JET EPDM GASKET	1000/50
—	23504-200-020	EURO FLAT GASKET	1000/50

CLUSTER JETS

PRODUCT FEATURES

- Sleek, Low Profile Jets
- Designed for Multiple Plumbing Variations
- 1" Hole Size
- 100 per Box / 50 per Bag



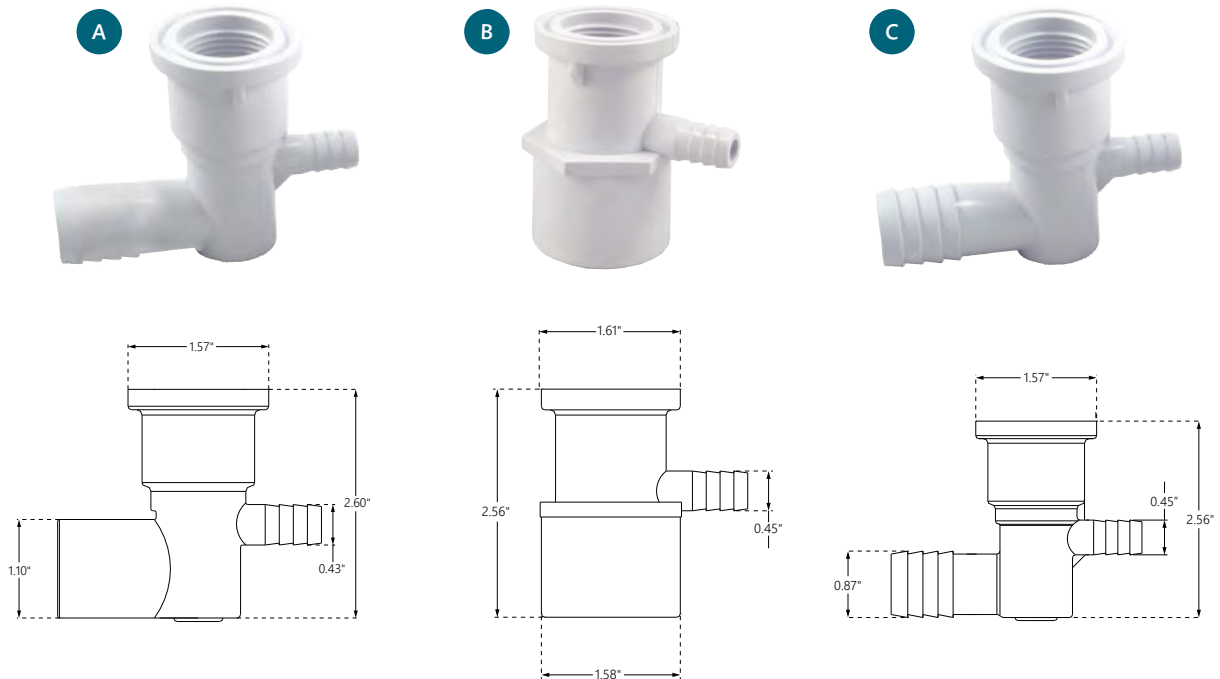
ORDERING GUIDE

REF	CMP P/N	NOZZLE STYLE	COLOR / TEXTURE / STYLE
EURO JETS & CLUSTER JETS			
A	23500-002-700	1-1/2" CLUSTER JET	SS / SMOOTH / GRAPHITE GRAY
—	23500-007-000	1-1/2" CLUSTER JET	GRAPHITE GRAY / SMOOTH
—	25300-001-000	1-1/2" CLUSTER JET	CLASSIC GRAY / SMOOTH
B	23501-102-000	2" CLUSTER JET	SS / 5-SCALLOP / GRAPHITE GRAY
—	23501-001-000	2" CLUSTER JET	CLASSIC GRAY / SMOOTH
—	23501-002-000	2" CLUSTER JET	SS / SMOOTH / GRAPHITE GRAY
—	23501-100-000	2" CLUSTER JET	CLASSIC GRAY / TEXTURED / 5-SCALLOP
C	23501-202-400	2" CLUSTER JET (THICK FACE)	SS / BLACK
—	23501-202-700	2" CLUSTER JET (THICK FACE)	STAINLESS STEEL / GRAPHITE GRAY
—	23501-204-000	2" CLUSTER JET (THICK FACE)	BLACK / TEXTURED
—	23501-207-000	2" CLUSTER JET (THICK FACE)	GRAPHITE GRAY / TEXTURED
—	23501-209-000	2" CLUSTER JET (THICK FACE)	CLASSIC GRAY / TEXTURED
—	23501-302-400	2-3/8" CLUSTER JET (THICK FACE)	STAINLESS STEEL / BLACK
—	23501-302-700	2-3/8" CLUSTER JET (THICK FACE)	STAINLESS STEEL / GRAPHITE GRAY
—	23501-304-000	2-3/8" CLUSTER JET (THICK FACE)	BLACK / TEXTURED
—	23501-307-000	2-3/8" CLUSTER JET (THICK FACE)	GRAPHITE GRAY / TEXTURED
—	23501-309-000	2-3/8" CLUSTER JET (THICK FACE)	CLASSIC GRAY / TEXTURED

CLUSTER JET BODIES & ACCESSORIES

PRODUCT FEATURES

- Cluster Jet Bodies Fit All Cluster Jet Internals
- Ozone Cluster Jet Body (A) Designed for Better Air Draw



ORDERING GUIDE

REF	CMP P/N	DESCRIPTION	BOX/BAG
CLUSTER JET BODIES			
A	23412-000-000	OZONE CLUSTER JET BODY, 3/4" RB WATER × 3/8" RB AIR, 1/4" ORIFICE	1000/50
A	23412-100-000	OZONE CLUSTER JET BODY, 3/4" SB WATER × 3/8" SB AIR, 1/4" ORIFICE	1000/50
A	23412-200-000	OZONE CLUSTER JET BODY, 1/2" S WATER × 3/8" RB AIR, 1/4" ORIFICE	1000/50
A	23412-300-000	OZONE CLUSTER JET BODY, 3/4" S WATER × 3/8" RB AIR, 1/4" ORIFICE	1000/50
B	23410-800-000	CLUSTER JET STRAIGHT BODY, 1" S WATER × 3/8" RIB AIR	300/50
B	23411-610-000	CLUSTER JET STRAIGHT BODY, 1/2" S WATER × 3/8" RB AIR W/ CHECK VALVE	300/50
C	23410-900-000	CLUSTER JET ELL BODY, 1/2" S WATER × 3/8" RB AIR	600/50
C	23411-200-000	CLUSTER JET ELL BODY, 3/4" S WATER × 3/8" RB AIR	600/50
C	23411-000-000	CLUSTER JET ELL BODY, 3/4" RB WATER × 3/8" RB AIR	600/50
C	23410-300-000	CLUSTER JET ELL BODY, 3/4" SB WATER × 3/8" SB AIR & "T" GASKET	600/50
CLUSTER JET GASKETS			
—	23501-000-030	"L" GASKET	5000/500
—	23501-001-090	FLAT SILICONE GASKET	5000/500
—	26200-234-021	EPDM COMP "L" GASKET	5000/500
—	26200-235-010	CLUSTER JET EPDM SLOT GASKET; 2IN	5000/500
—	26200-234-022	1.5" CLUSTER JET EPDM GASKET	5000/500

DELUXE AIR INJECTORS

500/BOX, 50/BAG

PRODUCT FEATURES

- Three Body Styles
- Chrome or Classic Gray



3/4" Hole Size
3/8" Ribbed Barb



CMP P/N

DESCRIPTION

MULTI-PORT AIR INJECTOR

23010-001-000	3/8" ELL RIBBED BARB, CLASSIC GRAY
23010-007-000	3/8" ELL RIBBED BARB, GRAPHITE
23011-002-000	3/8" TEE RIBBED BARB, CHROME
23012-002-000	3/8" VERTICAL RIBBED BARB, CHROME



CMP P/N

DESCRIPTION

SINGLE PORT AIR INJECTOR

23025-002-000	3/8" ELL RIBBED BARB, CHROME
23026-002-000	3/8" TEE RIBBED BARB, CHROME
23027-002-000	3/8" VERTICAL RIBBED BARB, CHROME



CMP P/N

DESCRIPTION

LOW-PRO AIR INJECTOR

23015-001-000	3/8" ELL RIBBED BARB, CLASSIC GRAY
23015-002-000	3/8" ELL RIBBED BARB, CHROME
23016-001-000	3/8" TEE RIBBED BARB, CLASSIC GRAY
23016-002-000	3/8" TEE RIBBED BARB, CHROME
23017-007-000	3/8" VERTICAL RIBBED BARB, GRAPHITE GRAY
23017-002-000	3/8" VERTICAL RIBBED BARB, CHROME



CMP P/N

DESCRIPTION

LOW PROFILE SINGLE PORT AIR INJECTOR

23020-002-000	3/8" ELL RIBBED BARB, CHROME
23021-002-000	3/8" TEE RIBBED BARB, CHROME
23022-002-000	3/8" VERTICAL RIBBED BARB, CHROME

AIR INJECTORS

1000/BOX, 50/BAG



5/8" Hole Size
3/8" Smooth Air Barb



CMP P/N

DESCRIPTION

1-3/8" FACE MULTIPOST ECONOMY AIR INJECTOR

23030-001-000	3/8" SMOOTH AIR BARB 90° ELL
23028-001-000	3/8" SMOOTH AIR BARB STRAIGHT
23029-001-000	3/8" SMOOTH AIR BARB TEE
23028-002-000	STAINLESS 3/8" SMOOTH AIR BARB STRAIGHT
23030-002-000	STAINLESS 3/8" SMOOTH AIR BARB 90° ELL



CMP P/N

DESCRIPTION

3/8" FACE SINGLE PORT ECONOMY AIR INJECTOR

23030-102-000	STAINLESS 3/8" SMOOTH AIR BARB 90° ELL
23030-107-000	GRAPHITE GRAY 3/8" SMOOTH AIR BARB 90° ELL
23030-109-000	CLASSIC GRAY 3/8" SMOOTH AIR BARB 90° ELL
23030-101-010	STRAIGHT ADAPTER



CMP P/N

DESCRIPTION

1-3/8" FACE SINGLE PORT ECONOMY AIR INJECTOR

23028-109-000	CLASSIC GRAY, 3/8" SMOOTH AIR BARB STRAIGHT
23028-102-000	STAINLESS STEEL, 3/8" SMOOTH AIR BARB STRAIGHT

SQR ALSO AVAILABLE
See SQR Products on page 21



CMP P/N

DESCRIPTION

GALAXY AIR INJECTOR

23003-109-000	CLASSIC GRAY, 3/8" SMOOTH AIR BARB
23003-102-000	STAINLESS STEEL, 3/8" SMOOTH AIR BARB
23004-107-000	GALAXY SWIRL, GRAPHITE GRAY, 3/8" SMOOTH AIR BARB
23004-109-000	GALAXY SWIRL, CLASSIC GRAY, 3/8" SMOOTH AIR BARB
23003-207-000	GALAXY 1-1/8" FACE, 3/8" SMOOTH AIR BARB
26200-230-321	3/8" AIR INJECTOR EPDM GASKET

SWIM & WHIRLPOOL JETS

- Multiple Flow Solutions that are Compatible with all Swim Spa Designs
- Use in Hot Tubs as a "Whirlpool" or Footwell Jet
- All Swim Jets Include Gaskets for Easy Installation

3-3/4" SWIM JET

- 1-1/2" SP Water × 1" S Air
- 3-1/8" Hole Size



5" MULTI-PORT POWER JET

- 2" Spigot
- 3-3/4" Hole Size



3-1/4" LED WHIRLPOOL JET

- Light with CMP LED Clips
- Small Footprint
- Also Use as a Hot Water Return



1.5" S Water, 1/2" Air
 2-1/4" Hole Size w/ "L" Gasket
 2-11/16" Hole Size w/ Ribbed Gasket



ORDERING GUIDE

REF	CMP P/N	DESCRIPTION	BOX QTY
SWIM & WHIRLPOOL JETS			
A	23312-001-000	3-3/4" SWIM JET, SMOOTH FACE, GRAY	60
B	23551-061-000	5" MULTI-PORT POWER JET, 3/4" ORIFICE, GRAY	60
B	23551-561-000	5" MULTI-PORT POWER JET, 1/2" ORIFICE, GRAY	60
B	23551-562-000	5" MULTI-PORT POWER JET, 1/2" ORIFICE, STAINLESS STEEL, GRAY	60
C	23552-062-000	5" MULTI-PORT POWER JET, 2" ORIFICE, STAINLESS STEEL, GRAPHITE GRAY	—
D	25594-189-100	LED WHIRLPOOL JET	—
—	23551-599-999	WRENCH FOR 5" MULTI-PORT POWER JET	—

SWIM & WHIRLPOOL JETS

SWIM-POWER TURBO JET

PRODUCT FEATURES

- Now available in LED Ready Clear
- 2" Spigot/1.5" Socket Water
- 1/2" Socket Air
- 4-5/8" Hole Size



5/8" Orifice (30-40GPM)
3/4" Orifice (60-75 GPM)
1" Orifice (90-110 GPM)



WHIRLPOOL DIVERTER JET

PRODUCT FEATURES

- Diverter Valve and High Volume Whirlpool Jet in a Single Component
- Rotate Body in Any Direction for Plumbing
- Lock-In Design Prevents Loosening During Diverter Rotation
- 90°, 180°, 360° Settings

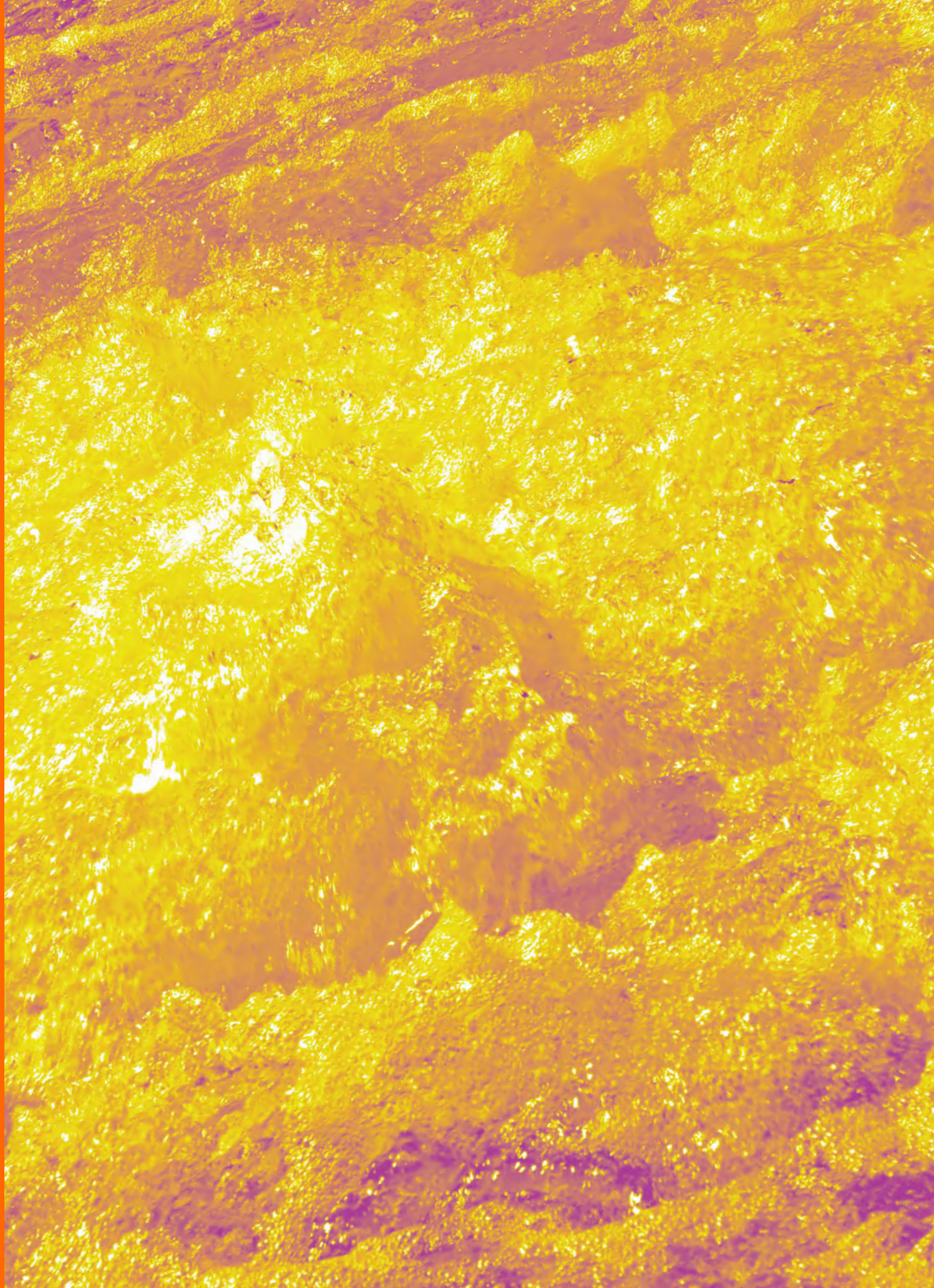


2" SP/1.5" S Water, 3/4" RB Air
3-15/16" Hole Size



ORDERING GUIDE

REF	CMP P/N	DESCRIPTION	STYLE	BOX QTY
SWIM & WHIRLPOOL JETS				
A	23551-667-000	SWIM-POWER TURBO JET, GRAPHITE GRAY	—	60
A	23551-662-700	SWIM-POWER TURBO JET, STAINLESS STEEL	—	60
B	23551-662-999	SWIM-POWER TURBO JET, STAINLESS STEEL, LED READY ✨	—	60
—	23551-699-999	SWIM-POWER TURBO JET WRENCH	—	—
C	23553-501-500	WP DIVERTER JET, GRAPHITE GRAY HALO & NOZZLE	STAINLESS	30
C	23553-501-700	WP DIVERTER JET, GRAPHITE GRAY HALO, CLEAR NOZZLE ✨	STAINLESS	30
C	23553-001-800	WP DIVERTER JET, CLASSIC GRAY/SILVER HALO ACCENT	DUO-TONE	30
C	23553-002-300	WP DIVERTER JET, GRAPHITE GRAY/SS HALO ACCENT	ACCENT	30
C	23553-502-100	WP DIVERTER JET, GRAPHITE GRAY NOZZLE	PRIME	30
C	23553-502-700	WP DIVERTER JET, CLEAR NOZZLE ✨	PRIME	30



CONTROL VALVES

HALO™ COLLECTION *98*

LEAF™ COLLECTION *99*

FIVE SPOKE™ COLLECTION *100*

WAVE™ COLLECTION *101*

CROWN™ COLLECTION *103*

DIAMOND™ COLLECTION *104*

HALO™ CONTROLS

HALO VALVE COLLECTION

PRODUCT FEATURES

- Silver Handle
- Graphite Cap & Halo Insert
- Coordinates with Spectrum Jets
- Pro-Seal 100% Shut-off Available
- For Halo Jets see pg 38



ORDERING GUIDE

REF	CMP P/N	DESCRIPTION	1/2 TURN SHUT-OFF	FITTING SIZE	HOLE SIZE	BOX/BAG
HALO COLLECTION CONTROLS						
A	25059-101-000	TOP ACCESS AIR CONTROL	—	1" SOCKET	1-11/16"	200/20
B	25056-101-000	PRO-SEAL ON/OFF CONTROL	✓	3/4" SB	2-1/16"	150
B	25056-111-000	PRO-SEAL ON/OFF CONTROL	✓	1" SOCKET	2-1/16"	150
C	25058-101-000	2" DIVERTER VALVE	—	2" SOCKET	3-3/16"	30
D	25158-201-000	HORIZONTAL THREE-WAY DIVERTER VALVE	—	2" SOCKET	3-3/16"	30
—	25053-101-000	THREE-WAY DIVERTER VALVE	—	1" SOCKET	3-3/16"	30
GASKETS & O-RINGS						
—	26200-250-901	AIR CONTROL GRAY EPDM COMP. SEAL	—	—	—	EACH
—	25030-090-000	1" ON/OFF VALVE WALL FITTING FLAT GASKET	—	—	—	EACH
—	26100-358-270	1" ON/OFF VALVE TOP O-RING	—	—	—	EACH
—	25030-000-011	1" ON/OFF VALVE T-GASKET	—	—	—	EACH
—	26100-615-265	DIVERTER VALVE 2" O-RING, LARGE	—	—	—	EACH
—	25048-000-011	2" DIVERTER VALVE INTERNAL T-GASKET	—	—	—	EACH
—	25048-000-020	2" DIVERTER VALVE FLAT GASKET	—	—	—	EACH

LEAF™ CONTROLS

LEAF VALVE COLLECTION

PRODUCT FEATURES

- Graphite Textured Handle
- Silver Smooth Cap
- Coordinates with Leaf Jets
- For Leaf Jets see pg 46



ORDERING GUIDE

REF	CMP P/N	DESCRIPTION	FITTING SIZE	HOLE SIZE	BOX/BAG
LEAF COLLECTION CONTROLS					
A	25042-300-000	1.5" LINEAR VALVE W/ OPP SIDE PORTS	1.5" SOCKET	2-1/16"	40
B	25056-310-000	1" ON/OFF CONTROL VALVE	1" SOCKET	2-1/16"	150
C	25056-302-000	3/4" ON/OFF VALVE	3/4" SB	2-1/16"	150
D	25059-300-000	1" VARIABLE AIR CONTROL	1" SOCKET	1-11/16"	200/20
E	25058-300-000	2" DIVERTER VALVE	2" SOCKET	3-3/16"	30
F	25058-302-000	2" DIVERTER VALVE	2" SOCKET	3-3/16"	30

COVERED BY ONE OR MORE U.S. PATENTS OR PATENT PENDING APPLICATIONS. SEE WWW.C-M-P.COM/PATENTS FOR DETAILS.

FIVE SPOKE™ CONTROLS

FIVE SPOKE COLLECTION

PRODUCT FEATURES

- Silver Textured Handle
- Graphite Smooth Cap
- Coordinates with Five Spoke Jets
- For Five Spoke Jets see pg 48



ORDERING GUIDE

REF	CMP P/N	DESCRIPTION	FITTING SIZE	HOLE SIZE	BOX/BAG
FIVE SPOKE COLLECTION CONTROLS					
A	25090-557-100	1" AIR CONTROL VALVE FLAT GASKET	1" SOCKET	1-11/16"	200/20
B	25036-557-300	1" ON/OFF CONTROL VALVE	1" SOCKET	2-1/16"	150

WAVE™ CONTROLS

WAVE VALVE COLLECTION

PRODUCT FEATURES

- Silver Handle
- Graphite Cap
- Coordinates with Wave Jets
- Pro-Seal 100% Shut-off Available
- For Wave Jets see pg 50



ORDERING GUIDE

REF	CMP P/N	DESCRIPTION	1/2 TURN SHUT-OFF	FITTING SIZE	HOLE SIZE	BOX/BAG
WAVE COLLECTION CONTROLS						
A	25090-707-000	1" TOP ACCESS AIR CONTROL	—	1" SOCKET	1-11/16"	200/20
B	25096-707-000	COMPACT 1" TOP ACCESS AIR CONTROL	—	1" SOCKET	1-11/16"	250/25
C	25036-717-000	PRO-SEAL ON/OFF CONTROL	✓	3/4" SB	2-1/16"	150
D	25036-707-000	PRO-SEAL ON/OFF CONTROL	✓	1" SOCKET	2-1/16"	150
E	25033-307-000	PRO-SEAL THREE WAY DIVERTER	✓	1" SOCKET	2-1/16"	40
E	25048-707-000	PRO-SEAL THREE WAY DIVERTER	—	2" SOCKET	3-3/16"	30
GASKETS & O-RINGS						
—	26200-250-901	AIR CONTROL GRAY EPDM COMP. SEAL	—	—	—	EACH
—	25030-090-000	1" ON/OFF VALVE WALL FITTING FLAT GASKET	—	—	—	EACH
—	26100-358-270	1" ON/OFF VALVE TOP O-RING	—	—	—	EACH
—	25030-000-011	1" ON/OFF VALVE T-GASKET	—	—	—	EACH
—	26100-615-265	DIVERTER VALVE 2" O-RING, LARGE	—	—	—	EACH
—	25048-000-011	2" DIVERTER VALVE INTERNAL T-GASKET	—	—	—	EACH
—	25048-000-020	2" DIVERTER VALVE FLAT GASKET	—	—	—	EACH

WAVE™ CONTROLS

"S" HANDLE COLLECTION

PRODUCT FEATURES

- "S" Handle
- Graphite or Classic Gray
- Coordinates with Wave Jets
- Pro-Seal 100% Shut-off Available
- For Wave Jets see pg 50



ORDERING GUIDE

REF	CMP P/N	DESCRIPTION	HANDLE COLORS	1/2 TURN SHUT-OFF	FITTING SIZE	HOLE SIZE	BOX/BAG
WAVE "S" HANDLE COLLECTION CONTROLS							
A	25093-107-000	TOP ACCESS AIR CONTROL,	GRAPHITE/SILVER	—	1" SOCKET	1-11/16"	200/20
A	25093-117-000	TOP ACCESS AIR CONTROL <i>LARGE HANDLE</i>	GRAPHITE/SILVER	—	1" SOCKET	1-11/16"	200/20
B	25036-917-000	PRO-SEAL ON/OFF CONTROL	GRAPHITE/SILVER	✓	3/4" SB	2-1/16"	150
C	25036-107-000	PRO-SEAL ON/OFF CONTROL	GRAPHITE/SILVER	✓	1" SOCKET	2-1/16"	150
D	25032-107-000	ON/OFF CONTROL <i>(LOW PROFILE)</i>	GRAPHITE/SILVER	—	1" SOCKET	2-1/16"	150
E	25033-107-000	THREE-WAY DIVERTER	GRAPHITE/SILVER	—	1" SOCKET	2-1/16"	40
E	25039-107-000	THREE-WAY DIVERTER	GRAPHITE/SILVER	—	1" SOCKET	2-1/16"	150
E	25043-107-000	THREE-WAY DIVERTER	GRAPHITE/SILVER	—	2" SOCKET	3-3/16"	30

CROWN™ CONTROLS

CROWN VALVE COLLECTION

PRODUCT FEATURES

- Silver Handle
- Graphite Cap
- Coordinates with Crown Jets
- Pro-Seal 100% Shut-off Available
- For Crown Jets see pg 56



ORDERING GUIDE

REF	CMP P/N	DESCRIPTION	1/2 TURN SHUT-OFF	FITTING SIZE	HOLE SIZE	BOX/BAG
CROWN COLLECTION CONTROLS						
A	25090-807-000	TOP ACCESS AIR CONTROL	—	1" SOCKET	1-11/16"	200/20
B	25090-887-000	LARGE HANDLE TOP ACCESS AIR CONTROL	—	1" SOCKET	1-11/16"	200/20
C	25036-817-000	PRO-SEAL ON/OFF CONTROL	✓	3/4" SB	2-1/16"	150
D	25036-887-000	LARGE HANDLE PRO-SEAL ON/OFF CONTROL	✓	1" SOCKET	2-1/16"	150
E	25036-807-000	PRO-SEAL ON/OFF CONTROL	✓	1" SOCKET	2-1/16"	150
F	25033-827-000	PRO-SEAL THREE-WAY DIVERTER (TEXTURED HANDLE)	✓	1" SOCKET	2-1/16"	40
F	25048-807-000	THREE-WAY DIVERTER	—	2" SOCKET	3-3/16"	30
—	25048-887-000	LARGE HANDLE THREE-WAY DIVERTER	—	2" SOCKET	3-3/16"	30

DIAMOND™ CONTROLS

LEVER HANDLE
COLLECTION

PRODUCT FEATURES

- Lever Handle: Easy to Use
- Graphite or Classic Gray
- Scalloped or Smooth
- Coordinates with Diamond Jets
- For Diamond Jets see pg 78



ORDERING GUIDE

REF	CMP P/N	DESCRIPTION	COLOR / TEXTURE	FITTING SIZE	HOLE SIZE	BOX/BAG
LEVER HANDLE COLLECTION CONTROLS						
A	25090-009-000	TOP ACCESS AIR CONTROL	CLASSIC GRAY, SMOOTH, 5-SCALLOP	1" S	1-11/16"	200/20
B	25090-017-000	TOP ACCESS AIR CONTROL	GRAPHITE GRAY, TEXTURED, 5-SCALLOP	1" S	1-11/16"	200/20
C	25090-019-000	TOP ACCESS AIR CONTROL	CLASSIC GRAY, TEXTURED, 5-SCALLOP	1" S	1-11/16"	200/20
D	25096-407-000	COMPACT AIR CONTROL	GRAPHITE GRAY, SCALLOPED	1" S	1-11/16"	200/20
—	25096-409-000	COMPACT AIR CONTROL	CLASSIC GRAY, SCALLOPED	1" S	1-11/16"	200/20
E	25039-001-000	THREE-WAY DIVERTER	GRAY, SMOOTH	1" S	2-1/16"	40
F	25039-207-000	THREE-WAY DIVERTER	GRAPHITE GRAY, TEXTURED	1" S	2-1/16"	40
G	25039-009-000	THREE-WAY DIVERTER	CLASSIC GRAY, 5-SCALLOP	1" S	2-1/16"	40
H	25048-019-000	THREE-WAY DIVERTER	CLASSIC GRAY, TEXTURED, 5-SCALLOP	2" S	3-3/16"	30
I	25048-017-000	THREE-WAY DIVERTER	GRAPHITE GRAY, TEXTURED, 5-SCALLOP	2" S	3-3/16"	30
—	25048-007-000	THREE-WAY DIVERTER	GR. GRAY/SILVER, TEXTURED, 5-SCALLOP	2" S	3-3/16"	30

DIAMOND™ CONTROLS

MUSHROOM COLLECTION

PRODUCT FEATURES

- Ergonomic Handle
- Graphite or Classic Gray
- 5-Scallop Design
- Pro-Seal 100% Shut-off Available
- Coordinates with Diamond Jets
- For Diamond Jets see pg 78



ORDERING GUIDE

REF	CMP P/N	DESCRIPTION	COLOR / TEXTURE	1/2 TURN. SHUT-OFF	FITTING SIZE	HOLE SIZE	BOX QTY
MUSHROOM COLLECTION CONTROLS							
A	25036-217-000	PRO-SEAL ON/OFF CONTROL	GRAPHITE GRAY, TEXTURED	✓	1" SOCKET	2-1/16"	150
B	25036-219-000	ON/OFF CONTROL 100% SHUT-OFF	CLASSIC GRAY	—	1" SOCKET	2-1/16"	150
C	25032-217-000	LOW PROFILE ON/OFF 100% SHUT-OFF	GRAPHITE GRAY, TEXTURED	—	1" SOCKET	2-1/16"	150
C	25032-219-000	LOW PROFILE ON/OFF CONTROL PRO-SEAL 100% SHUT-OFF	CLASSIC GRAY, TEXTURED	✓	1" SOCKET	2-1/16"	150
D	25033-207-000	THREE-WAY DIVERTER	GRAPHITE GRAY	—	1" SOCKET	2-1/16"	40
E	25033-209-000	THREE-WAY DIVERTER	CLASSIC GRAY	—	1" SOCKET	2-1/16"	40
F	25042-109-000	LINEAR VALVE, SAME SIDE OUT	CLASSIC GRAY	—	1.5" SOCKET	2-1/16"	40
F	25042-107-000	LINEAR VALVE, SAME SIDE OUT	GRAPHITE GRAY	—	1.5" SOCKET	2-1/16"	40
G	25042-009-000	LINEAR VALVE, OPPOSITE OUT	CLASSIC GRAY	—	1.5" SOCKET	2-1/16"	40
G	25042-007-000	LINEAR VALVE, OPPOSITE OUT	GRAPHITE GRAY	—	1.5" SOCKET	2-1/16"	40

CONTROL PARTS & ACCESSORIES



ORDERING GUIDE

REF	CMP P/N	DESCRIPTION	BOX QTY
AIR CONTROL PARTS & ACCESSORIES			
A	21040-000-000	1" SLIP BLOWER ASSIST TEE FOR 1" AIR CONTROLS	250/25
B	21041-000-000	1" SLIP BLOWER ASSIST TEE FOR 25096 CONTROL, WITH TWO "L" GASKETS	250/25
C	26200-250-901	GRAY EPDM COMPRESSION SEAL GASKET	EACH
—	26205-704-130	1" AIR CONTROL FLAT GASKET W/ BUMP	EACH
—	26205-714-130	LED SPACER AIR CONTROL "L" GASKET	EACH
C	25094-119-050	1" AIR CONTROL STANDARD "L" GASKET	EACH
D	25090-089-200	1" AIR CONTROL LED BEZEL, LED NUT & FLAT GASKET; CLEAR PVC	EACH
D	25090-079-200	1" AIR CONTROL LED BEZEL, LED NUT & FLAT GASKET; CLEAR POLY CARBONATE	EACH
D	25090-080-220	REPLACEMENT GASKET FOR LED BEZEL	EACH
E	25090-130-000	FLAT AIR CONTROL NUT	EACH
—	25091-200-011	THIN AIR CONTROL NUT (USED WITH AIR CONTROL JACKET)	EACH
F	25090-209-070	AIR CONTROL JACKET WITH 3/4" SMOOTH BARB PORT, CLEAR NEW	EACH
—	25091-209-090	AIR CONTROL JACKET FOR 25091-200-011 WITH O-RING	EACH
G	25095-020-000	BASKET NUT	EACH
—	25094-119-030	AIR CONTROL VALVE COMP NUT NEW	EACH
—	25094-119-040	AIR CONTROL VALVE COMP RING NEW	EACH
H	25090-999-999	AIR CONTROL INSTALLATION WRENCH	EACH
—	25090-900-999	1" AIR CONTROL LED NUT INSTALLATION WRENCH NEW	EACH
ON/OFF VALVE AND DIVERTER VALVE PARTS & ACCESSORIES			
—	25030-090-000	1" ON/OFF VALVE WALL FITTING FLAT GASKET	EACH
—	26100-358-270	1" ON/OFF VALVE TOP O-RING	EACH
—	25030-000-011	1" ON/OFF VALVE T-GASKET	EACH
—	25036-000-001	FLOW CONTROL INSERT FOR 1" VALVE	EACH
I	25036-089-200	LARGE CROWN LED WALL FITTING, LED NUT & GASKET	EACH
I	25036-080-230	REPLACEMENT GASKET FOR LARGE LED WALL FITTING	EACH
J	25030-089-200	1" ON/OFF VALVE LED WALL FITTING, LED NUT & GASKET; CLEAR PVC	EACH
J	25030-079-200	1" ON/OFF VALVE LED WALL FITTING, GASKET; CLEAR POLY CARBONATE	EACH
—	25030-080-230	REPLACEMENT GASKET FOR SMALL CLEAR LED WALL FITTING	EACH
—	25048-089-200	2" DIVERTER VALVE LED WALL FITTING, NUT & GASKET; CLEAR PVC	EACH
—	25048-079-200	2" DIVERTER VALVE LED WALL FITTING, GASKET; CLEAR POLY CARBONATE	EACH
K	25030-087-200	STANDARD GRAPHITE LED WALL FITTING, LED NUT & GASKET	EACH
K	25030-080-230	REPLACEMENT GASKET FOR GRAPHITE LED WALL FITTING	EACH
L	25030-999-999	1" ON/OFF VALVE INSTALLATION WRENCH	EACH
—	25030-900-999	1" ON/OFF VALVE LED WALL FITTING INSTALLATION WRENCH NEW	EACH
—	25036-080-220	1" LED WALL FITTING LED NUT (4 LED PORTS) NEW	EACH
L	25048-999-999	DIVERTER VALVE INSTALLATION WRENCH	EACH
M	26100-615-265	DIVERTER VALVE 2" O-RING, LARGE	EACH
N	25048-000-011	2" DIVERTER VALVE INTERNAL T-GASKET (SEALS CAP TO BODY)	EACH
N	25048-000-020	2" DIVERTER VALVE FLAT GASKET (SEALS WALL FITTING TO ACRYLIC)	EACH
—	25048-080-220	2" DIVERTER VALVE LED NUT NEW	EACH
—	25048-900-999	2" DIVERTER VALVE LED WALL FITTING INSTALLATION WRENCH NEW	EACH
—	26100-150-275	SMALL O-RING FOR VALVE STEMS NEW	EACH

AQUA EFFECTS® WATER FEATURES

POP-UP WATER FEATURES *109*

LED LAMINARS & FOUNTAINS *110*

WATERFALLS *111*

LIQUID AROMA INJECTOR *114*

LED COLOR CRYSTAL *116*

aqua effects®



EXPERIENCE LIQUID COLOR

Aqua Effects® water features from CMP create a nature-inspired look and feel. Gently cascading water flumes mimic the sounds of nature and add ambiance to your designs.

FAST HOLE SAW INSTALLATION

SMALL FOOTPRINT

“POP-UP” AND FIXED WATER FEATURES

INNOVATIVE, PATENTED DESIGNS

The Aqua Effects collection of LED-Ready water features will add liquid color and excitement to any hot tub design.



PRODUCT FEATURES

- Fast Hole Saw Installation
- Small Footprint
- Innovative, Patented Design



1-11/16 Hole Size (Same as Air Controls)
3/8" Water Line Required



CMP P/N	DESCRIPTION	BOX QTY
AQUA EFFECTS BUBBLER		
25267-324-400	BLACK FLANGE, BLACK CAP	100
25267-324-800	BLACK FLANGE, SILVER CAP	100
25267-327-700	GRAPHITE FLANGE, GRAPHITE CAP	100
25267-327-800	GRAPHITE FLANGE, SILVER CAP	100
25267-328-400	SILVER FLANGE, BLACK CAP	100
25267-328-700	SILVER FLANGE, GRAPHITE CAP	100



CMP P/N	DESCRIPTION	BOX QTY
AQUA EFFECTS FAN		
25267-424-400	BLACK FLANGE, BLACK CAP	100
25267-424-800	BLACK FLANGE, SILVER CAP	100
25267-427-700	GRAPHITE FLANGE, GRAPHITE CAP	100
25267-427-800	GRAPHITE FLANGE, SILVER CAP	100
25267-428-400	SILVER FLANGE, BLACK CAP	100
25267-428-700	SILVER FLANGE, GRAPHITE CAP	100



CMP P/N	DESCRIPTION	BOX QTY
AQUA EFFECTS MINI STREAM		
25267-624-400	BLACK FLANGE, BLACK CAP	100
25267-624-800	BLACK FLANGE, SILVER CAP	100
25267-627-700	GRAPHITE FLANGE, GRAPHITE CAP	100
25267-627-800	GRAPHITE FLANGE, SILVER CAP	100
25267-628-400	SILVER FLANGE, BLACK CAP	100
25267-628-700	SILVER FLANGE, GRAPHITE CAP	100

CMP P/N	DESCRIPTION	BOX/BAG
POP-UP PARTS & ACCESSORIES		
25267-029-014	3/4" SMOOTH BARB 45 DEG LED ADAPTER	100
25267-300-030	LED COLLAR	200
21034-400-000	1" SP × 3/4" SMOOTH BARB 90 DEG ELL ADAPTER	200
21037-100-000	1" SP × 3/8" RIBBED BARB ELL ADAPTER	600/50
21034-200-000	1" SP × 3/4" RIBBED BARB 90 DEG ELL ADAPTER	1000/100
21031-100-000	1" SP × 3/4" RIBBED BARB STRAIGHT ADAPTER	1000/100
21031-400-000	1" × 3/4" SMOOTH BARB ADAPTER	1000/100

COVERED BY ONE OR MORE U.S. PATENTS OR PATENT PENDING APPLICATIONS. SEE WWW.C-M-P.COM/PATENTS FOR DETAILS.

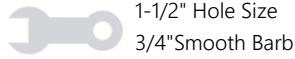
LAMINARS & FOUNTAINS



LED SPA LAMINARS

PRODUCT FEATURES

- Styles to Match Jet Collections
- Quick and Easy Installation
- No Assembly Required
- 316L Stainless Steel



TOP MOUNT SPA FOUNTAIN

PRODUCT FEATURES

- Four Interchangeable Nozzles
- 100% Adjustable
- Uni-Directional



ORDERING GUIDE

REF	CMP P/N	DESCRIPTION	STYLE	BOX QTY
LED SPA LAMINARS				
A	25269-602-700	STAINLESS STEEL ESCUTCHEON, GRAPHITE GRAY HALO ACCENT, CLEAR NOZZLE	SPECTRUM	100
B	25269-202-700	STAINLESS STEEL ESCUTCHEON, GRAPHITE GRAY FLANGE & NOZZLE	WAVE	100
B	25269-207-000	GRAPHITE GRAY ESCUTCHEON, FLANGE & NOZZLE; TEXTURED		100
C	25269-102-700	STAINLESS STEEL ESCUTCHEON, GRAPHITE GRAY FLANGE & NOZZLE	CROWN	100
C	25269-107-000	GRAPHITE GRAY ESCUTCHEON, FLANGE & NOZZLE; TEXTURED		100
D	25269-302-700	STAINLESS STEEL ESCUTCHEON, GRAPHITE GRAY FLANGE & NOZZLE	DIAMOND	100
D	25269-307-000	GRAPHITE GRAY ESCUTCHEON, FLANGE & NOZZLE; TEXTURED		100
E	25269-001-500	STAINLESS STEEL ESCUTCHEON, SILVER FLANGE, CLEAR NOZZLE NEW	LEAF	100
TOP MOUNT SPA FOUNTAIN				
F	25265-107-000	COMPLETE SPA FOUNTAIN ASSEMBLY; GRAPHITE GRAY; TEXTURED	—	100
—	25267-000-960	LED BULB ADAPTER; FIVE LED PORT HOUSING	—	50

ARCHFALL WATERFALL

PRODUCT FEATURES

- Arched Water Effect with Laminar Style Stream
- Flexible Orientation: Can Be Installed in Interior or on Bar top
- Front-side Serviceable Control Valve
- LED Lighting Ready

TECHNICAL GUIDE

- 1-11/16" Hole Size (Water)
- 9/16" Hole Size (LED)
- 1" Socket Inlet
- 2-10 GPM, 5 PSI
- 5" W × 3" H
- Integrated No-Clog Water Diffuser
- Fits Industry Standard LEDs
- EPDM O-Rings

1. INTEGRATED CONTROL VALVE

The built-in control valve simplifies installation and reduces customer confusion. Specially designed for easy removal and cleaning for perfect operation.

2. CUSTOMIZABLE LOGO INSERT

Easy to customize with your own logo or design. The waterfall body and control can also be molded in your own custom color to perfectly complement the hot tub design.



3. ARCHED WATER FLUME

The arched flume allows for spa interior or bar-top installation. Precise internal engineering minimizes turbulence, aligning the flow to create a beautiful arched water effect that gracefully tapers to a gentle water entry.



4. LED LIGHTING READY

LED lighting creates an attractive accent around the waterfall with a soft, colorful glow. Two back ports are built in for LED lights, and designed for simple integration with standard LED lighting systems.

ORDERING GUIDE

CMP P/N	DESCRIPTION
ARCHFALL WATERFALL	
25267-107-000	4" LED ARCHFALL COMPLETE ASSEMBLY, GRAPHITE GRAY W/ SILVER KNOB
25267-104-000	4" LED ARCHFALL COMPLETE ASSEMBLY, BLACK W/ SILVER KNOB
25268-108-020	ARCHFALL CONTROL KNOB ONLY, SILVER
25267-460-003	4" LED ARCHFALL CLEAR GASKET

COVERED BY ONE OR MORE U.S. PATENTS OR PATENT PENDING APPLICATIONS. SEE WWW.C-M-P.COM/PATENTS FOR DETAILS.

WATERFALLS

CRYSTAL FALLS

A dramatic, powerful hot tub water feature, available with a subtle LED accent. Choose Crystal Falls for a simple installation and a clean installed appearance.

PRODUCT FEATURES

- Two-Hole Installation
- Adapters Fit LED Bulb (sold separately)
- Custom Colors Available



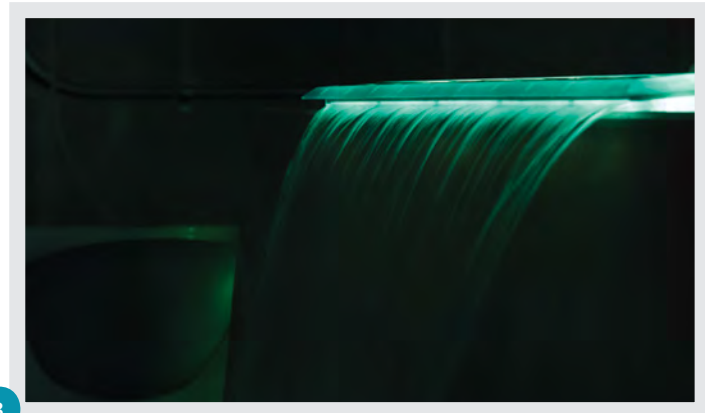
A

COLOR CASCADE

LED light glows through the topside pattern of this feature as ribbons of light fall from the sheer waterfall. For a show-stopping LED feature, Color Cascade is also available in clear for a glowing, ambient light effect.

PRODUCT FEATURES

- Two-Hole Installation
- Adapters Fit LED Bulb (sold separately)
- 1/2" Slip & 3/4" RB Adapters Available



B

ORDERING GUIDE

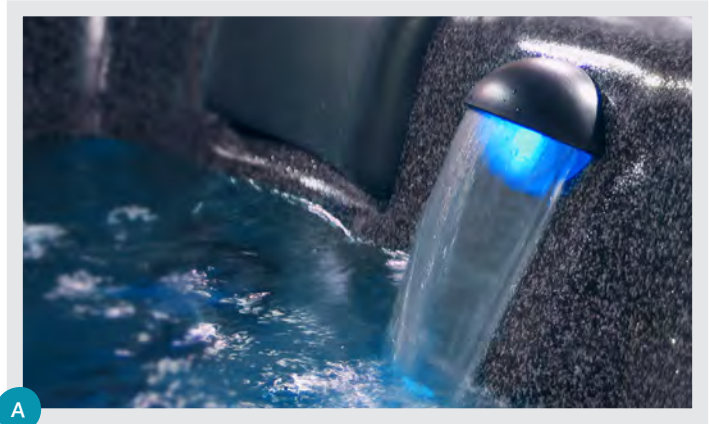
REF	CMP P/N	DESCRIPTION	BOX QTY
LED ACCENT WATERFALLS			
A	25259-002-900	6" CRYSTAL FALLS, 316L STAINLESS STEEL *	100
A	25274-002-900	8" CRYSTAL FALLS, 316L STAINLESS STEEL *	100
A	25259-007-000	6" CRYSTAL FALLS, GRAPHITE GRAY *	100
A	25274-007-000	8" CRYSTAL FALLS, GRAPHITE GRAY *	100
—	25259-009-016	6" CRYSTAL FALLS GASKET	1200
—	25274-109-016	8" CRYSTAL FALLS GASKET	400
B	25269-007-000	COLOR CASCADE WATERFALL, GRAPHITE GRAY *	24
B	25269-009-000	COLOR CASCADE WATERFALL, CLEAR *	24
—	25259-109-014	3/4" RIBBED BARB 90° ELL ADAPTER	200
—	25259-009-014	1/2" SMOOTH BARB 90° ELL ADAPTER	1000
—	25259-209-014	3/4" SMOOTH BARB 90° ELL ADAPTER	200

SCONCE WATERFALL

Add an LED water feature with minimal space and hole requirements.

PRODUCT FEATURES

- 4" Wide
- Small Footprint
- LED Ready



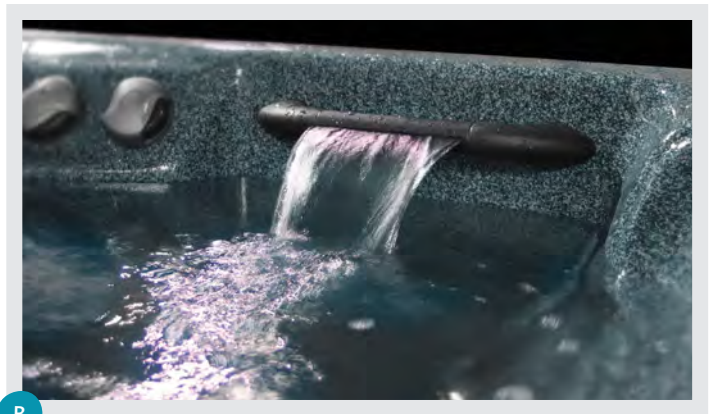
A

GRAB RAIL WATERFALL

Combine safety features with exciting water effects.

PRODUCT FEATURES

- Variable Flow Capacity
- Color Options Available
- Available in Clear for LED Lighting
- 1" Hole Size



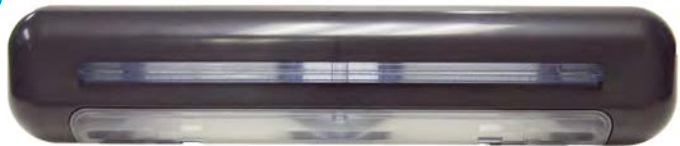
B

LOW PROFILE "E-Z" WATERFALL

PRODUCT FEATURES

- Easily Removable Cleaning Baffle
- Seven or Single Bulb LED
- Includes Light Connectors

C



ORDERING GUIDE

REF	CMP P/N	DESCRIPTION	BOX QTY
SPECIALTY WATERFALLS			
A	25271-007-000	SCONCE WATERFALL, GRAPHITE GRAY	100
A	25271-004-000	SCONCE WATERFALL, BLACK	100
B	25262-007-000	GRAB RAIL WATERFALL, GRAPHITE GRAY, 3/4" RB	100
—	25262-004-080	90° FOR GRAB RAIL WATERFALL	200
C	25273-007-000	8" LOW PROFILE E-Z WATERFALL	70

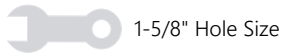
LIQUID AROMA INJECTOR



The spa industry's first liquid aroma injector. Featuring the Wellness scents from inSPAration®. This patented aroma delivery mechanism puts control in the hands of the spa user by allowing calming scents to be released with the push of a button.

PRODUCT FEATURES

- Just One Press Releases Fragrance
- Ergonomic Cap for Easy Refill
- Twist-Lock Activation Button
- About 80 Applications Per Refill
- Perimeter LED Lighting is Available

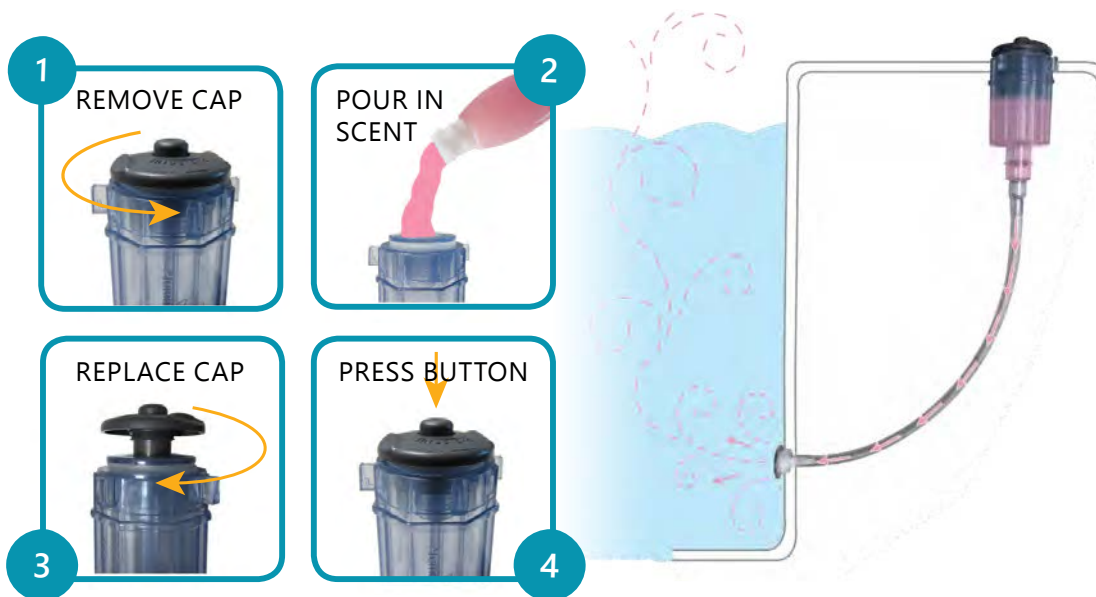


ORDERING GUIDE

REF	CMP P/N	DESCRIPTION	BOX/BAG
LIQUID AROMA INJECTOR			
—	23045-007-000	COMPLETE LIQUID AROMA INJECTOR ASSY	50
A	23045-007-100	BUTTON AND PUMP ASSEMBLY	EACH
B	26100-425-265	O-RING	EACH
C	23045-009-030	CLEAR WALL FITTING & GASKET	EACH
D	—	LIQUID AROMA BODY (NOT AVAILABLE)	—
E	22145-400-000	3/8" VINYL TUBING (SOLD SEPARATELY)	100FT ROLL
F	25066-375-000	BULLET CHECK VALVE (SOLD SEPARATELY)	1000/100
G	23003-102-000	INJECTOR FITTING (SOLD SEPARATELY)	500
H	23422-299-020	LED PORT CLIP	EACH



COVERED BY ONE OR MORE U.S. PATENTS OR PATENT PENDING APPLICATIONS. SEE WWW.C-M-P.COM/PATENTS FOR DETAILS.



INSPARATION® FRAGRANCES

PRODUCT FEATURES

- 8.3oz Bottles
- Non-Foaming
- No Oily Residues
- Does Not Effect pH Levels
- Safe on All Surfaces and Equipment



ORDERING GUIDE

CMP P/N	DESCRIPTION	BOX QTY
INSPARATION® WELLNESS FRAGRANCES		
23045-000-100	PEPPERMINT 8.3OZ BOTTLE	12
23045-000-110	SPEARMINT 8.3OZ BOTTLE	12
23045-000-120	TANGERINE GRAPEFRUIT 8.3OZ BOTTLE	12
23045-000-130	GINGER 8.3OZ BOTTLE	12
23045-000-200	CHAMOMILE 8.3OZ BOTTLE	12
23045-000-300	LAVENDER 8.3OZ BOTTLE	12
23045-000-400	SANDALWOOD 8.3OZ BOTTLE	12
23045-000-500	CLARY SAGE 8.3OZ BOTTLE	12
23045-000-600	ROSEMARY CITRUS 8.3OZ BOTTLE	12
23045-000-700	CEDAR WOOD 8.3OZ BOTTLE	12
23045-000-800	GREEN TEA 8.3OZ BOTTLE	12
23045-000-900	BERGAMOT 8.3OZ BOTTLE	12
23045-000-140	ASSORTED FRAGRANCE BOX	12

LED COLOR CRYSTAL™



An unbreakable acrylic Color Crystal with a fun bubble design. The acrylic ball completely replaces the original glass ball design.

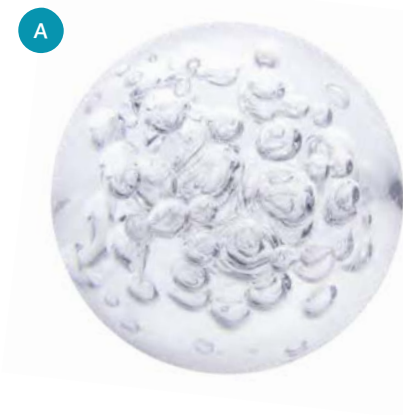
The Aqua Effects™ Color Crystal is an industry unique water feature. The Color Crystal spins freely in the jet base, while allowing the LED light to pass through the acrylic ball. By combining dynamic light effects and soft water flow, this product adds exciting ambiance to any hot tub design.

PRODUCT FEATURES

- Fast Hole Saw Installation
- Install Multiple Units Inline
- Small Topside Footprint
- Smooth Consistent Flow and Spin Action
- Exciting, Unique Design
- Acrylic Ball is Compatible with the Triple-Jet Color Crystal Base Only.



2-5/16" Hole Size
3/8" Water Line Required



ORDERING GUIDE

REF	CMP P/N	DESCRIPTION	BOX QTY
LED COLOR CRYSTAL			
A	25290-000-050	COLOR CRYSTAL ACRYLIC BALL *	112
B	25290-009-010	COLOR CRYSTAL JET BASE *	200
—	25290-000-020	REPLACEMENT COLOR CRYSTAL GLASS BALL (PRE-2016) *	112

OPTIX™

SPA LIGHTING

OTX MINI LIGHTS *119*

LED CUPHOLDERS *120*

INTERIOR LIGHTING *122*

OPTIX™

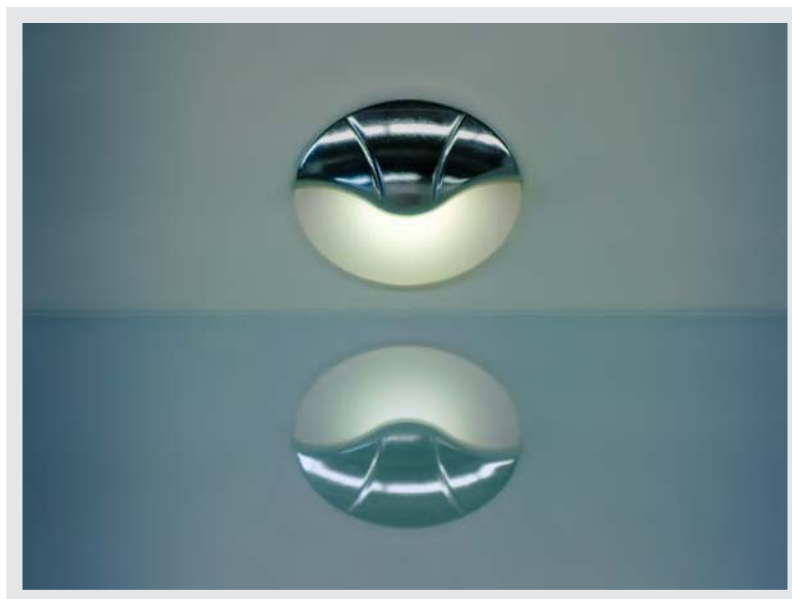
EMOTIONAL LED LIGHTING

A complete, cohesive LED program that is compatible with systems from every major LED supplier. Our focus is on thoughtful designs that are easy to install for both interior and exterior lighting. Optix includes platform-driven designs that can be customized quickly and with minimal tooling costs.

INNOVATIVE, UNIQUE, CO-MOLDED DESIGNS

STAINLESS STEEL OPTIONS

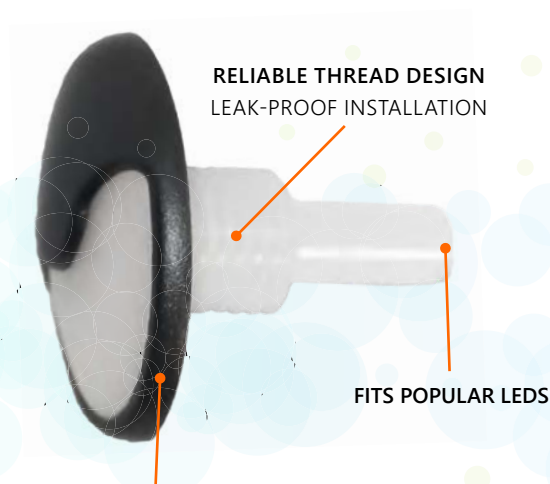
CLEAR OR DIFFUSED POLYCARBONATE LENSES



OTX Mini spot lights create a burst of intrigue and style. Optix LED fittings can be color matched to jets and other components. The unique hooded design allows for applications above the water line without creating a harsh glare.

PRODUCT FEATURES

- Interior or Exterior, Above or Below the Waterline
- Designed to Soften Glare or Hot Spots
- Fits All Popular LED Lights
- Includes Nut & Gasket



CO-MOLDED SINGLE PIECE DESIGN
FEWER COMPONENTS
NO GLUE LINES



ORDERING GUIDE

REF	CMP P/N	DESCRIPTION	BOX QTY
OTX-1 MINI LIGHTS			
A	25243-307-000	GRAPHITE GRAY, FROSTED LENS ✨	600
A	25243-304-000	BLACK, FROSTED LENS ✨	600
OTX-3 MINI LIGHTS			
B	25243-407-000	GRAPHITE GRAY, FROSTED LENS ✨	600
B	25243-404-000	BLACK, FROSTED LENS ✨	600
C	25243-600-000	STAINLESS STEEL, FROSTED LENS ✨	600

COVERED BY ONE OR MORE U.S. PATENTS OR PATENT PENDING APPLICATIONS. SEE WWW.C-M-P.COM/PATENTS FOR DETAILS.

DECO LED CUPHOLDERS



The Patented CMP Deco Cupholder is the most stylish LED cupholder on the market. The customizable insert design is protected by being installed *under* the cupholder lens.

PRODUCT FEATURES

- Platform-based Design
- Customize the Accent Ring to Coordinate with Other Spa Components
- Survives in the "Gas Zone"
- No Glare or Bright Hot Spots



2-5/8" Hole Size
Buttress Thread



DESIGNED FOR STYLE AND FUNCTION

The CMP Deco Cupholder is the result of platform-based innovation. Not only is this the most sophisticated cupholder design available, it is part of the complete CMP Spa design platform.



ORDERING GUIDE

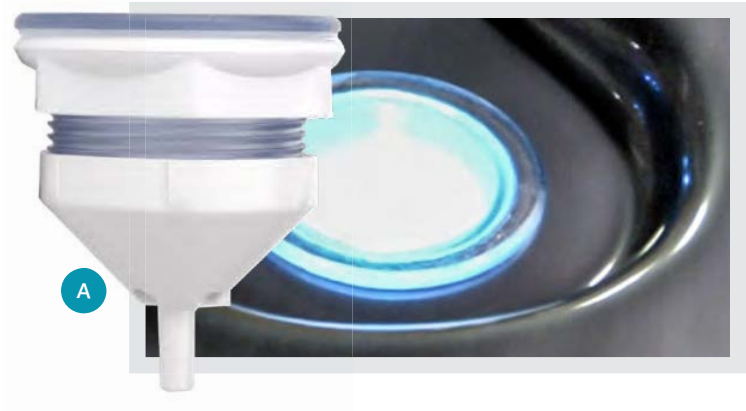
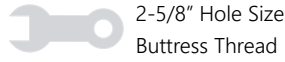
REF	CMP P/N	DESCRIPTION	BOX QTY
DECO CUPHOLDER WITH CLEAR TEXTURED LENS			
A	25241-507-800	GRAPHITE GRAY HALO INSERT, GRAY BEVELED RING	100
A	25241-508-700	SILVER HALO INSERT, GRAPHITE GRAY BEVELED RING	100
B	25241-527-800	SILVER HALO INSERT, GRAPHITE GRAY WAVE RING	100
DECO CUPHOLDER WITH CLEAR SMOOTH LENS			
—	25241-517-800	GRAPHITE GRAY HALO INSERT, GRAY BEVELED RING	100
—	25241-518-700	SILVER HALO INSERT, GRAPHITE GRAY BEVELED RING	100

COVERED BY ONE OR MORE U.S. PATENTS OR PATENT PENDING APPLICATIONS. SEE WWW.C-M-P.COM/PATENTS FOR DETAILS.

LED CUPHOLDER

PRODUCT FEATURES

- Vivid Color with No Hot Spot
- Fast, Easy Installation
- Reflector Base with Drain Holes



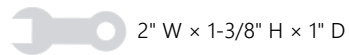
LED GRAB RAIL

PRODUCT FEATURES

- Clear Illuminating Handle
- Low Light Safety Feature



CABINET LIGHT



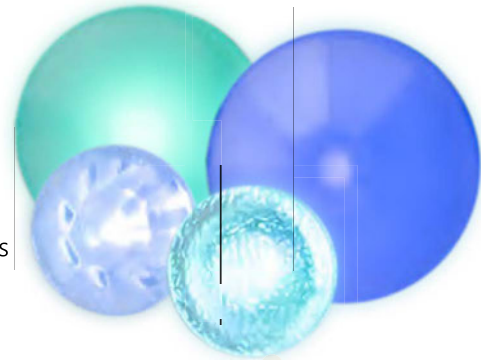
ORDERING GUIDE

REF	CMP P/N	DESCRIPTION	BOX QTY
LED CUPHOLDER			
A	25241-000-999	ASSEMBLY WITH DRAIN HOLE BASE ✨	100
—	25241-010-999	ASSEMBLY WITH REGULAR BASE ✨	100
—	25241-009-998	REPLACEMENT LENS	—
—	25241-000-996	GASKET	500
—	23442-000-040	NUT	480
—	25241-010-997	REFLECTOR BASE	100
—	25241-000-997	REFLECTOR BASE WITH DRAIN HOLES	100
LED GRAB RAIL			
B	25272-079-000	LED SPA GRAB RAIL ASSEMBLY	100
FIBER OPTIC CABINET LIGHT			
C	25243-009-000	FIBER OPTIC CABINET LIGHT (2" × 1-3/8" × 1")	800

LED SPOT FITTINGS

PRODUCT FEATURES

- The Widest Selection of LED Spot Fittings
- Crystal Clear Material for Vibrant Lighting
- Frosted Option for Softer, Even Light Distribution
- Engineered for Compatibility with All Major LED Light Systems
- Clear Have a Clear Gasket; "Frosted" Have a White Gasket
- Large Stem Styles for Larger LEDs & Added Durability
- Packaged 2000 per Bag



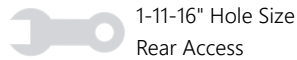
ORDERING GUIDE

REF	CMP P/N	DESCRIPTION	STYLE	SIZE
LED SPOT FITTINGS				
A	25234-100-000	CLEAR LED SPOT FITTING WITH CLEAR GASKET	SMOOTH	7/8"
A	25234-110-000	CLEAR LED SPOT FITTING WITH CLEAR GASKET, LG STEM	SMOOTH	7/8"
B	25234-100-100	CLEAR LED SPOT FITTING WITH CLEAR GASKET	TEXTURED	7/8"
B	25234-110-100	CLEAR LED SPOT FITTING WITH CLEAR GASKET, LG STEM	TEXTURED	7/8"
C	25234-100-200	CLEAR LED SPOT FITTING WITH CLEAR GASKET	FACETED	7/8"
C	25234-110-200	CLEAR LED SPOT FITTING WITH CLEAR GASKET, LG STEM	FACETED	7/8"
D	25234-109-000	FROSTED LED SPOT FITTING WITH WHITE GASKET	SMOOTH	7/8"
D	25234-119-000	FROSTED LED SPOT FITTING WITH CLEAR GASKET, LG STEM	SMOOTH	7/8"
E	25234-109-200	FROSTED LED SPOT FITTING WITH WHITE GASKET	FACETED	7/8"
E	25234-119-200	FROSTED LED SPOT FITTING WITH CLEAR GASKET, LG STEM	FACETED	7/8"
F	25234-000-000	CLEAR LED SPOT FITTING WITH CLEAR GASKET	SMOOTH	1/2"
G	25234-140-000	CLEAR LED SPOT FITTING WITH CLEAR GASKET	TEXTURED	1/2"
H	25234-000-200	CLEAR LED SPOT FITTING WITH CLEAR GASKET	FACETED	1/2"
I	25234-009-000	FROSTED LED SPOT FITTING WITH WHITE GASKET	SMOOTH	1/2"
J	25234-009-200	FROSTED LED SPOT FITTING WITH WHITE GASKET	FACETED	1/2"
K	25237-000-000	CLEAR PVC ROUND LED SPOT FITTING	FACETED	1"
L	25238-009-000	CLEAR SIX-SIDED LED SPOT FITTING	FACETED	—



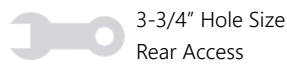
2" SPA LIGHT

- Prismatic Pyramid Lens Enhances & Improves LED Color Mixing
- Small, Compact Light Footprint
- Compatible with LED Bulbs
- Buttress Thread Design With Silicone Gasket Simplifies Installation



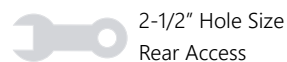
5" SPA LIGHT

- Stainless Steel Escutcheon Option
- Complete Kits Include Lens, Reflector, Bulb and Wire Harness with AMP Connector
- Red & Blue Lens Covers Also Available



3" SPA LIGHT

- Complete Kits Include Lens, Reflector, Bulb and Wire Harness with AMP Connector
- Red & Blue Lens Covers Also Available



ORDERING GUIDE

REF	CMP P/N	DESCRIPTION	BOX QTY
2" SPA LIGHT			
A	25247-100-000	2" SPA LIGHT ASSEMBLY (LENS, GASKET, NUT, REFLECTOR)	—
5" SPA LIGHT			
B	25242-000-000	5" SPA LIGHT ASSEMBLY (LENS, NUT, GASKET, REFLECTOR)	50
C	25242-002-000	STAINLESS STEEL 5" SPA LIGHT ASSEMBLY	50
3" SPA LIGHT			
D	25241-000-000	3" SPA LIGHT ASSEMBLY (LENS, GASKET, NUT & REFLECTOR)	100
—	25241-000-100	3" CLEAR LENS, GASKET & NUT	100





ORDERING GUIDE

REF	CMP P/N	DESCRIPTION	BOX QTY
LIGHTING PARTS AND ACCESSORIES			
A	25241-000-160	3" RED AND BLUE LENSES	100
A	25242-000-061	5" RED AND BLUE LENSES	250/25
—	26211-809-530	GASKET FOR 5" LIGHT	EACH
B	25241-007-400	BEZEL FOR 3" LIGHT	400
—	26207-506-331	GASKET FOR 3" LIGHT	EACH
—	26200-786-300	EPDM COMPRESSION SEAL FOR 3" LIGHT	EACH
C	25240-030-000	NUT FOR 3" LIGHT	EACH
—	25240-100-020	2" SPA LIGHT REFLECTOR HOUSING	—
—	25241-000-050	3" SPA LIGHT REFLECTOR HOUSING	100
—	25242-010-030	5" SPA LIGHT REFLECTOR HOUSING	600
D	25241-000-300	UL SPA LIGHT WIRE HARNESS WITH AMP CONNECTOR	200
—	25241-000-500	UL SPA LIGHT WIRE HARNESS WITH MOLEX CONNECTOR	200
—	25241-000-200	SPA LIGHT PIGTAIL ONLY	200
E	25239-000-000	SPA LIGHT BULB (GE 912)	10

FILTRATION & CIRCULATION

SKIMMERS & FILTERS *126*

REPLACEMENT FILTER ELEMENTS *135*

VGB SUCTIONS *136*

SPA PUMP WET END *137*

OZONATOR ACCESSORIES *138*

FLOATING VANE WEIR FILTER

The CMP Floating Vane Weir Skim filter is an improvement on an essential part of spa design. The floating vane weir ensures consistent flow through the skimmer, even as the water level rises and falls. Clean up is easy with a twist-lock vane that removes quickly to access the built in skimmer basket.

PRODUCT FEATURES

- Floating Vane Weir Adjusts with the Water Level
- Twist-Lock Vane Weir
- Lid is Customizable with Your Logo



2" Inlet/Outlet
6-7/8" Hole Size



CUSTOMIZE WITH YOUR LOGO



EASILY REMOVABLE VANE WEIR

COLOR REFERENCE



GRAPHITE
xxxxx-xx7-xxx

BLACK
xxxxxx-xx4-xxx

CLASSIC
xxxxxx-xx9-xxx



ORDERING GUIDE

CMP P/N	DESCRIPTION	BODY HEIGHT	FILTER ELEMENT (p735)	BOX/BAG
FLOATING VANE WEIR FILTER				
35351-904-000	35 SQ FT FLOATING VANE WEIR SKIM FILTER, BLACK	16-1/2"	G	6
35351-907-000	35 SQ FT FLOATING VANE WEIR SKIM FILTER, GRAPHITE GRAY	16-1/2"	G	6
35351-909-000	35 SQ FT FLOATING VANE WEIR SKIM FILTER, CLASSIC GRAY	16-1/2"	G	6
35353-904-000	50 SQ FT FLOATING VANE WEIR SKIM FILTER, BLACK	19-1/2"	N	6
35353-907-000	50 SQ FT FLOATING VANE WEIR SKIM FILTER, GRAPHITE GRAY	19-1/2"	N	6
35353-909-000	50 SQ FT FLOATING VANE WEIR SKIM FILTER, CLASSIC GRAY	19-1/2"	N	6
26200-253-851	3/8" SKIMMER COMPRESSION SEAL	—	—	500/25
26200-201-745	1/2" SKIMMER COMPRESSION SEAL	—	—	500/25
35351-009-999	SAFE-SHIP CLIP	—	—	—

FILTER ELEMENT CHART PAGE 135 (ELEMENTS SOLD SEPARATELY)

FLOATING VANE WEIR FILTER

A BETTER SPA SKIM FILTER, BY DESIGN

FLOATING WEIR

Adjusts with the water level to ensure adequate surface water skimming.

TWIST-LOCK VANE

Just a simple twist removes the vane weir and exposes the debris basket below.

BUILT IN BASKET

The basket is conveniently located, making debris removal fast and easy.



SAFE-SHIP CLIP

The floating weir remains locked in during shipment and delivery. Unlike other floating skimmers, this does not require any complicated modification of the skimmer after delivery and installation. Simply remove and discard the bright yellow clip and the spa is ready to use.



ELITE FILTER

CREATE A CUSTOM ELITE FILTER

PRODUCT FEATURES

- Custom Order to Fit Your Needs
- Body & Components Sold Separately
- Safety Enhancing Flange
- Unibody Construction
- Telescopic Weir Adjusts with the Water Level
- Telescopic or Vane Weir Options



2" Inlet/Outlet
6-7/8" Hole Size



ORDERING GUIDE

REF	CMP P/N	DESCRIPTION	FILTER AREA (SQ FT)	HEIGHT	FILTER ELEMENT (p135)	BOX QTY
ELITE FILTER WEIRS						
A	25349-904-001	BLACK VANE WEIR	—	5-3/4"	—	24
A	25349-907-001	GRAPHITE GRAY VANE WEIR	—	5-3/4"	—	24
A	25349-909-001	CLASSIC GRAY VANE WEIR	—	5-3/4"	—	24
B	25351-904-100	BLACK LO-FLO FLOATING WEIR	—	5-1/2"	—	50
B	25351-907-100	GRAPHITE GRAY LO-FLO FLOATING WEIR	—	5-1/2"	—	50
B	25351-909-100	CLASSIC GRAY LO-FLO FLOATING WEIR	—	5-1/2"	—	50
B	25353-904-100	BLACK HI-FLO FLOATING WEIR	—	5-1/2"	—	50
B	25353-907-100	GRAPHITE GRAY HI-FLO FLOATING WEIR	—	5-1/2"	—	50
B	25353-909-100	CLASSIC GRAY HI-FLO FLOATING WEIR	—	5-1/2"	—	50
ELITE FILTER ACCESSORIES						
C	25351-904-200	BLACK FILTER BASKET	—	—	—	50
C	25351-907-200	GRAPHITE GRAY FILTER BASKET	—	—	—	50
C	25351-909-200	CLASSIC GRAY FILTER BASKET	—	—	—	50
D	26200-253-851	3/8" EPDM COMPRESSION SEAL	—	—	—	500/25
D	26200-201-745	1/2" EPDM COMPRESSION SEAL	—	—	—	500/25
ELITE FILTER BODIES						
E	25351-994-000	BLACK FILTER BODY & LOCKNUT	50	16-1/2"	H	6
E	25351-997-000	GRAPHITE GRAY FILTER BODY & LOCKNUT	50	16-1/2"	H	6
E	25351-999-000	CLASSIC GRAY FILTER BODY & LOCKNUT	50	16-1/2"	H	6
E	25353-994-000	BLACK FILTER BODY & LOCKNUT	25/50	19-1/2"	D, J OR K	6
E	25353-997-000	GRAPHITE GRAY FILTER BODY & LOCKNUT	25/50	19-1/2"	D, J OR K	6
E	25353-999-000	CLASSIC GRAY FILTER BODY & LOCKNUT	25/50	19-1/2"	D, J OR K	6
E	25358-994-000	BLACK FILTER BODY & LOCKNUT	75	21"	T OR U	6
E	25358-997-000	GRAPHITE GRAY FILTER BODY & LOCKNUT	75	21"	T OR U	6
E	25358-999-000	CLASSIC GRAY FILTER BODY & LOCKNUT	75	21"	T OR U	6
E	25359-994-000	BLACK FILTER BODY & LOCKNUT	100	23-3/4"	W	6
E	25359-997-000	GRAPHITE GRAY FILTER BODY & LOCKNUT	100	23-3/4"	W	6
E	25359-999-000	CLASSIC GRAY FILTER BODY & LOCKNUT	100	23-3/4"	W	6

ELITE FILTER

ELITE FILTER CUSTOM BUILD PLATFORM

A. VANE WEIR

360 degree safety-focused filtration with a clean installed design.

B. TELESCOPING WEIR

A floating telescopic weir that automatically adjusts with the water level for precise water skimming at all times. Available in Low or Hi-Flo.

C. FILTER BASKET

For easy clean-up of larger debris. Basket is color matched to the filter body for a seamless appearance.

D. EPDM GASKET

Optional EPDM compression seal gasket available in two sizes.

E. FILTER BODY

Four filter body sizes with locknut, in three color options. Filter element is sold separately. (see page 135)



Graphite Gray shown. Black & Classic Gray also available.

PLATFORM-DRIVEN DESIGN: Across every product line, we are totally committed to creating complete spa product platforms that free you up to make the best decisions for your hot tub design needs.

STANDARD FILTER WITH TELESCOPING WEIR

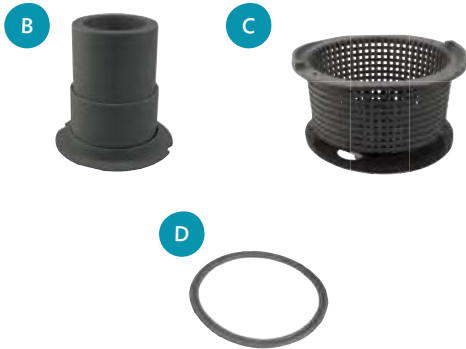
PRODUCT FEATURES

- Improved Flapper Valve for Superior By-Pass Flow
- Safety Enhancing Flange
- Unibody Construction with Floating Weir
- Built-In Skimmer Basket



2" Inlet/Outlet
6-7/8" Hole Size

COLOR REFERENCE



ORDERING GUIDE

REF	CMP P/N	DESCRIPTION	BODY HEIGHT	FILTER ELEMENT (p135)	BOX/BAG
STANDARD FILTER WITH TELESCOPING WEIR					
A	25364-907-000	25 SQ FT COMPACT STD SKIM FILTER, GRAPHITE GRAY	12-1/2"	B	6
A	25366-907-000	35 SQ FT STD SKIM FILTER, GRAPHITE GRAY	14-3/4"	E OR F	6
A	25366-972-000	35 SQ FT STD SKIM FILTER, GRAPHITE GRAY/SS	14-3/4"	E OR F	6
A	25367-907-000	25/50 SQ FT STD SKIM FILTER, GRAPHITE GRAY	19"	D OR J	6
A	25367-972-000	25/50 SQ FT STD SKIM FILTER, GRAPHITE GRAY/SS	19"	D OR J	6
ACCESSORIES					
B	25367-907-100	GRAPHITE GRAY REPLACEMENT WEIR AND LID	—	—	30
C	25367-907-200	GRAPHITE GRAY REPLACEMENT BASKET	—	—	50
D	26200-253-851	3/8" SKIMMER COMPRESSION SEAL	—	—	500/25
D	26200-201-745	1/2" SKIMMER COMPRESSION SEAL	—	—	500/25

FILTER ELEMENT CHART PAGE 135 (ELEMENTS SOLD SEPARATELY)

PRESSURE FILTER

PRODUCT FEATURES

- Improved Flapper Valve for Superior Bypass Flow
- Ergonomic Lock Ring for Easy Removal
- Unibody Construction



2" Inlet/Outlet
6-7/8" Hole Size

COLOR REFERENCE

GRAPHITE
xxxxx-xx7-xxx

CLASSIC
xxxxx-xx9-xxx



ORDERING GUIDE

REF	CMP P/N	DESCRIPTION	BODY HEIGHT	FILTER ELEMENT (p135)	BOX/BAG
PRESSURE FILTER					
A	25384-907-000	25/50 SQ FT PRESSURE FILTER, GRAPHITE GRAY	15-1/8"	D, J OR K	6
A	25384-909-000	25/50 SQ FT PRESSURE FILTER, CLASSIC GRAY	15-1/8"	D, J OR K	6
A	25385-907-000	75 SQ FT PRESSURE FILTER, GRAPHITE GRAY	22-1/8"	V	6
A	25385-909-000	75 SQ FT PRESSURE FILTER, CLASSIC GRAY	22-1/8"	V	6
PRESSURE FILTER REPLACEMENT PARTS					
B	25376-007-005	AIR RELIEF PLUG	—	—	500
C	26100-150-275	AIR RELIEF O-RING	—	—	1000
D	25376-107-000	PRESSURE FILTER LID ASSEMBLY, GRAPHITE GRAY	—	—	50
E	25376-000-211	TOP SPACER	—	—	300
F	26101-500-530	PRESSURE FILTER LID O-RING	—	—	500
G	25376-007-000	LOCK RING	—	—	100
—	26200-253-851	3/8" SKIMMER COMPRESSION SEAL	—	—	500/25
—	26200-201-745	1/2" SKIMMER COMPRESSION SEAL	—	—	500/25

FILTER ELEMENT CHART PAGE 135 (ELEMENTS SOLD SEPARATELY)

FUSION FRONT ACCESS FILTER

Add style to any hot tub while providing high flow and skimming functionality with a modern auto inspired design.

PRODUCT FEATURES

- Dual Port Filtration
- Two Stock Color Options Available
- 100 Square Foot Filtration

TWO-TONE DESIGN

Multiple component design allows weir part colors to be adjusted to match or complement existing parts such as jets and control handles.

CUSTOM LOGO

Optionally, add your logo or custom design very simply to the customizable oval plate.



ORDERING GUIDE

CMP P/N	DESCRIPTION	FILTER ELEMENT (p135)	BOX QTY
FUSION DUAL PORT FRONT ACCESS FILTER			
25253-020-000	100 SQ FT 2-PORT, GRAPHITE GRAY W/ SILVER ACCENT	(2) L OR M	2
25253-030-000	100 SQ FT 2-PORT, WHITE W/ GRAPHITE GRAY ACCENT	(2) L OR M	2
25253-927-200	100 SQ FT FILTER BODY ONLY (NO WEIR)	(2) L OR M	2
FUSION WEIR ONLY (BODY SOLD SEPARATELY)			
25253-020-100	GRAPHITE GRAY W/ SILVER ACCENT	(2) L OR M	9
25253-030-100	WHITE W/ GRAPHITE GRAY ACCENT	(2) L OR M	9

COVERED BY ONE OR MORE U.S. PATENTS OR PATENT PENDING APPLICATIONS. SEE WWW.C-M-P.COM/PATENTS FOR DETAILS.

FRONT ACCESS SKIMMERS & FILTERS

PRODUCT FEATURES

- Dual or Single Port
- "Wave" Style Frame Design
- Custom Company Logo Available



ORDERING GUIDE

REF	CMP P/N	DESCRIPTION	HEIGHT	FILTER ELEMENT (p135)	BOX QTY
SINGLE PORT FRONT ACCESS SKIMMERS & FILTERS					
A	25248-001-000	FRONT ACCESS SKIMMER, GRAY	13"	BASKET	6
A	25248-004-000	FRONT ACCESS SKIMMER, BLACK	13"	BASKET	6
A	25248-007-700	FRONT ACCESS SKIMMER, GRAPHITE GRAY	13"	BASKET	6
B	25249-901-000	10 SQ FT FRONT ACCESS, GRAY	16-1/4"	A	6
B	25249-907-000	10 SQ FT FRONT ACCESS, GRAPHITE GRAY	16-1/4"	A	6
C	25252-117-000	50 SQ FT FRONT 1-PORT FILTER, GRAPHITE/SILVER WAVE	20-1/4"	L OR M	4
C	25252-917-000	50 SQ FT FRONT 1-PORT, GRAPHITE GRAY	20-1/4"	L OR M	4
C	25253-117-000	100 SQ FT FRONT ACCESS 1-PORT, GRAPHITE/SILVER WAVE	28-1/4"	P/Q + R/S	4
C	25253-911-000	100 SQ FT FRONT ACCESS 1-PORT, GRAY	28-1/4"	P/Q + R/S	4
C	25253-917-000	100 SQ FT FRONT ACCESS 1-PORT, GRAPHITE GRAY	28-1/4"	P/Q + R/S	4
DUAL PORT FRONT ACCESS FILTERS					
D	25253-927-000	100 SQ FT FRONT ACCESS 2-PORT, GRAPHITE GRAY	20-1/4"	(2) L OR M	2
D	25253-127-000	100 SQ FT FRONT ACCESS 2-PORT, GRAPHITE/SILVER WAVE	20-1/4"	(2) L OR M	2
D	25254-927-000	200 SQ FT FRONT ACCESS 2-PORT, GRAPHITE GRAY	28-1/4"	(2)P/Q+(2)R/S	2

FILTER ELEMENT CHART PAGE 135 (ELEMENTS SOLD SEPARATELY)

FILTER ACCESSORIES



ORDERING GUIDE

REF	CMP P/N	DESCRIPTION	BOX QTY
FILTER & SKIMMER ACCESSORIES			
A	25233-107-000	FILTER WEIR DOOR, GRAPHITE GRAY/ SILVER WAVE NEW	10
B	25233-307-000	FILTER WEIR DOOR, GRAPHITE GRAY/ SILVER WAVE (LOWER WEIR DOOR) NEW	10
C	25253-920-900	FRONT ACCESS MANIFOLD	24
D	21022-200-000	2" PLUG FOR FRONT ACCESS MANIFOLD	480
E	25253-921-150	WIDEMOUTH FILTER GASKET	200
F	27051-009-000	ADJUSTABLE FLOATING SPA CHLORINATOR, TEN 1" TABLET CAPACITY	45
G	25395-001-000	FILTER EXTENSION WITH 8-7/8" COVER (6-7/8" ID × 4" DEEP)	50
H	25245-107-000	SPA STRIP SKIMMER, 1.5" MIP FITTING (4-3/8" × 9-3/8")	50
I	25245-007-000	SPA STRIP SKIMMER, 1.5" MIP FITTING (4-3/8" × 9-3/8") & STANDARD NUT	50
J	25396-007-000	TWO CUP LID FOR FILTER NICHE, 10" DIAMETER	100
K	25397-007-000	CARTRIDGE FILTER NICHE	30
L	35451-907-100	VACUUM BREAK FOR SKIM FILTER, GRAPHITE GRAY NEW	100
—	35451-909-100	VACUUM BREAK FOR SKIM FILTER, CLASSIC GRAY NEW	100
—	35451-904-100	VACUUM BREAK FOR SKIM FILTER, BLACK NEW	100
M	25245-999-999	WRENCH FOR SKIMMER FITTING (FITS 25245-107-000)	1
N	25398-000-000	BROMINATOR FOR TOP LOAD FILTERS, TEN 1" TABLET CAPACITY	200
—	26100-300-220	REPLACEMENT O-RING FOR BROMINATOR	100
O	25398-016-000	BROMINATOR FOR 16 1/2" CARTRIDGE FILTER NEW	EACH

REPLACEMENT FILTER ELEMENTS

PRODUCT FEATURES

- Standard or Microban® Elements
- Compatible Replacements for Common Spa Filters
- Sold in Box Quantities Only



ORDERING GUIDE

REF	CMP P/N	DESCRIPTION	DIAMETER	LENGTH	BOX QTY
REPLACEMENT FILTER ELEMENTS					
A	25249-800-000	10 SQ FT (C-4310)	4-1/2"	4"	75
B	25392-000-100	25 SQ FT COMPACT (C-4405)	5"	6-5/8"	32
C	25392-200-100	25 SQ FT COMPACT MICROBAN® (C-4405AM)	5"	6-5/8"	16
D	25392-000-000	25 SQ FT (C-4326)	5"	13-5/16"	16
E	25393-000-000	35 SQ FT (C-4335)	5"	9-1/4"	16
F	25393-200-000	35 SQ FT MICROBAN® (C-4335AM)	5"	9-1/4"	16
G	25369-800-000	35 SQ FT (4CH-935)	5"	9-1/4"	16
H	25351-800-000	50 SQ FT (C-5345)	5-5/16"	10-1/8"	16
J	25391-000-000	50 SQ FT (C-4950)	5"	13-5/16"	16
K	25391-200-000	50 SQ FT MICROBAN® (C-4950AM)	5"	13-5/16"	16
L	25252-800-000	50 SQ FT (6CH-940)	6"	8-1/4"	12
M	25252-800-200	50 SQ FT MICROBAN® (6CH-940AM)	6"	8-1/4"	12
N	25351-700-000	50 SQ FT (4CH-949-M)	5"	13-1/2"	16
P	25253-800-000	50 SQ FT TOP ELEMENT (6CH-941)	6"	8-1/4"	12
Q	25253-800-200	50 SQ FT MICROBAN® (6CH-941AM)	6"	8-1/4"	12
R	25254-800-000	50 SQ FT BOTTOM ELEMENT (6CH-942)	6"	8-1/4"	12
S	25254-800-200	50 SQ FT BOTTOM ELEMENT MICROBAN® (6CH-942AM)	6"	8-1/4"	12
T	25358-800-000	75 SQ FT (C-5374)	5-5/16"	14-13/16"	16
U	25358-800-200	75 SQ FT MICROBAN® (C-5374AM)	5-5/16"	14-13/16"	16
V	25390-000-000	75 SQ FT (C-4975)	5"	20-1/8"	16
W	25359-800-000	100 SQ FT (C-5397)	5-5/16"	17-13/16"	16

VGB CERTIFIED SUCTIONS

PRODUCT FEATURES

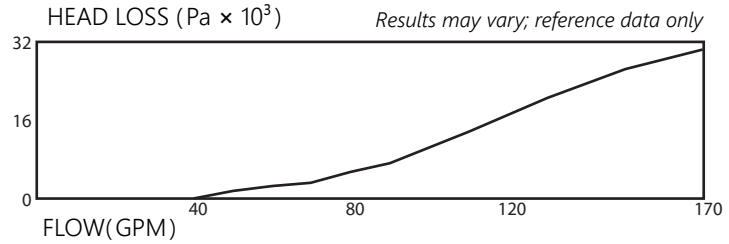
- Plastic or Stainless Steel Covers
- Tested to ANSI/APSP-16 2011
- Compliant to ANSI/APSP-16 2011 & CPSC Requirements
- UL Listed



TECHNICAL GUIDE



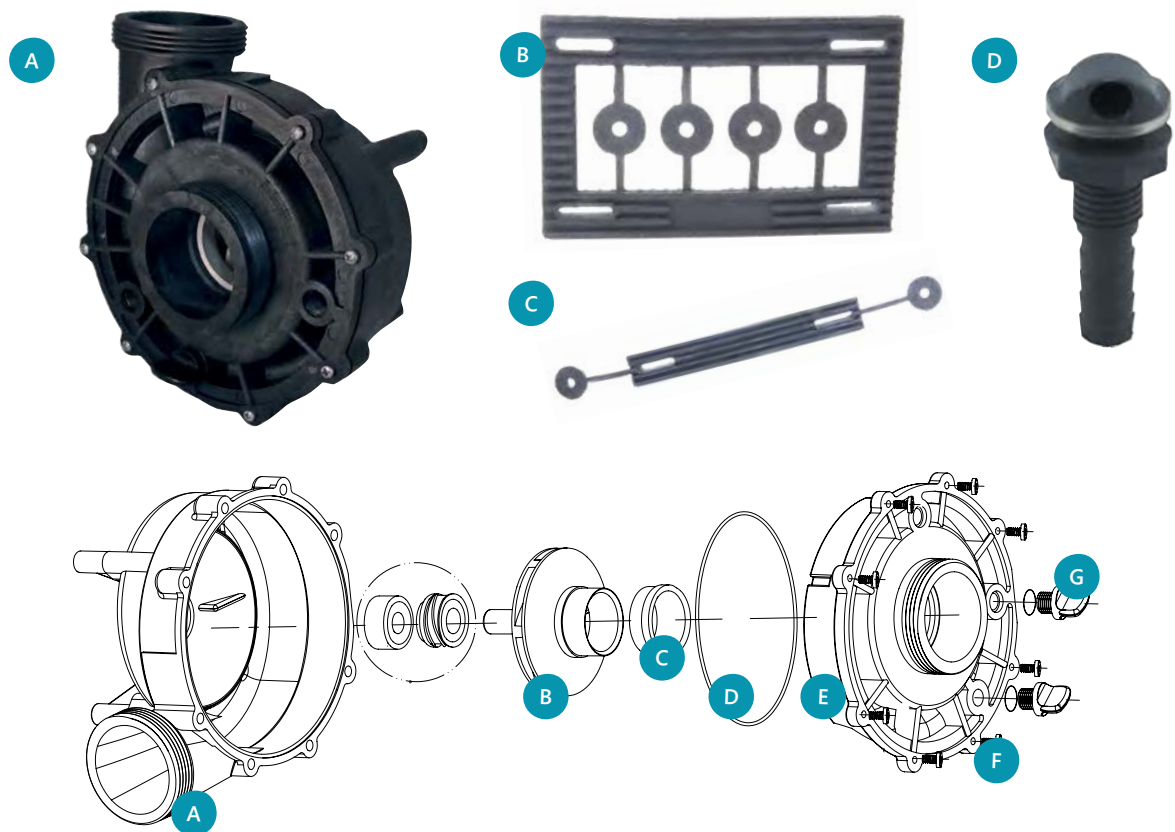
- Open Area is 12.36in²
- 3-5/16" Hole Size
- Single or Multiple Suction Use
- 170 GPM (Plastic)
- 172 GPM (Stainless Steel)



ORDERING GUIDE

REF	CMP P/N	DESCRIPTION	BOX/ BAG
170 GPM SUCTION			
A	25201-007-000	170 GPM SUCTION, 2.5" SLIP WITH GRAPHITE COVER	50
A	25201-207-100	170 GPM SUCTION, 2" SLIP WITH GRAPHITE COVER & EPDM GASKET	50
A	25201-204-100	170 GPM SUCTION, 2" SLIP WITH BLACK COVER & EPDM GASKET	50
A	25201-209-100	170 GPM SUCTION, 2" SLIP WITH CLASSIC GRAY COVER & EPDM GASKET	50
A	25201-037-000	170 GPM GRAPHITE GRAY COVER ONLY	150
A	25201-034-000	170 GPM BLACK COVER ONLY	150
A	25201-039-000	170 GPM CLASSIC GRAY COVER ONLY	150
A	25200-000-250	2.5" SLIP WALL FITTING ONLY WITH NUT & SCREW	50
A	25200-000-450	2" SLIP WALL FITTING ONLY WITH NUT & SCREW	50
172 GPM SUCTION			
B	25200-202-000	172 GPM SUCTION, 2" SOCKET WITH STAINLESS STEEL COVER	50
B	25200-202-010	172 GPM STAINLESS STEEL COVER ONLY	100
SUCTION ACCESSORIES			
—	25200-060-000	COMPENSATOR RING	1000/50
—	26210-307-935	FLAT GASKET	1000/50
—	26210-886-040	L-GASKET	1000/50
—	26200-252-001	COMPRESSION SEAL	1000/50
—	25200-040-010	SUCTION NUT	1000/50
—	61000-050-012	REPLACEMENT SCREW FOR SUCTION COVER	—
—	25200-000-450	2" WHITE WALL FITTING	50
—	25200-001-450	2" GRAY WALL FITTING	50
—	25200-020-000	2.5" SPIGOT X 2" SLIP SUCTION ADAPTER	100
—	25201-999-999	METAL WRENCH	—

48/56 FRAME PUMP WET ENDS



ORDERING GUIDE

REF	CMP P/N	DESCRIPTION	BOX QTY
48/56 FRAME PUMP WET END			
A	27203-200-000	2HP, 48/56 FRAME WET END ASSEMBLY	12
A	27203-300-000	3HP, 56 FRAME WET END ASSEMBLY	12
—	25267-000-170	WET END ADAPTER, 3/8" RIBBED BARB × 1/4"MPT	—
—	27240-004-000	EQUIPMENT BASE, 15-1/2" × 12" × 1"	20
—	27203-000-990	CMP WET END SEAL KIT (UNIVERSAL)	—
—	27203-000-900	WET END SEAL KIT (PRE-2011)	—
B	27241-004-000	PUMP VIBRATION PAD	230
C	27247-004-000	PUMP VIBRATION STRIPS	230
D	23001-007-000	AIR LOCK RELIEF FITTING	1000
56 FRAME PUMP REPLACEMENT PARTS			
A	27203-300-010	PUMP WET END HOUSING (BOTTOM)	—
B	27203-200-300	2 HP IMPELLER	—
B	27203-300-300	3 HP IMPELLER	—
C	27203-300-050	WEAR RING FOR 2HP AND 3HP WET END	—
D	26101-600-265	O-RING	—
E	27203-300-020	HOUSING COVER	—
F	61000-508-006	SCREWS (SET OF 8)	—
G	26101-125-265	DRAIN PLUG O-RING	—
G	27203-300-070	DRAIN PLUG	—

OZONATOR ACCESSORIES



ORDERING GUIDE

REF	CMP P/N	DESCRIPTION	BOX/BAG
OZONATOR ACCESSORIES			
A	23400-307-000	1-5/8" DIR FACE FITTING, 1" SB (W/ NUT & GASKET)	1000/50
A	23400-317-000	1-5/8" DIR FACE FITTING, 1" SB (W/COMP RING)	1000/50
B	23400-007-000	SMOOTH FACE FITTING, 7/16" PORT, 3/4" RB (W/ NUT & GASKET)	1000/50
—	23400-007-100	OZONE FITTING, 7/16" PORT, 3/4" SB (W/ NUT & GASKET)	1000/50
C	23400-107-000	1-5/8" DIR FACE FITTING, 3/4" RB (W/ NUT & GASKET)	1000/50
—	23400-017-100	OZONE RETURN 1" SLIP, 1" ORIFICE, GRAPHITE GRAY	1000/50
D	23400-214-000	SWIRL OZONE FITTING, 1-5/8" PORT, 3/4" SB (W/ NUT & GASKET), BLACK	1000/50
—	23400-214-100	SWIRL OZONE FITTING, 1-5/8" PORT, 3/4" RB (W/ NUT & GASKET), BLACK	1000/50
—	23400-217-000	SWIRL OZONE FITTING, 1-5/8" PORT, 3/4" SB (W/ NUT & GASKET), GRAPHITE GRAY	1000/50
—	23400-217-100	SWIRL OZONE FITTING, 1-5/8" PORT, 3/4" RB (W/ NUT & GASKET), GRAPHITE GRAY	1000/50
—	23400-219-000	SWIRL OZONE FITTING, 1-5/8" PORT, 3/4" SB (W/ NUT & GASKET), CLASSIC GRAY	1000/50
—	23400-219-100	SWIRL OZONE FITTING, 1-5/8" PORT, 3/4" RB (W/ NUT & GASKET), CLASSIC GRAY	1000/50
E	23008-009-000	OZONE MISTER (PRE-MIXES OZONE WITH WATER)	500
F	23006-000-000	VENTURI TEE, TWO 3/4" RB × 1/4" SB	500/25
F	23006-100-000	VENTURI TEE, TWO 3/4" RB × 1/4" SB/1" SPIGOT	500
F	23006-300-000	PVC BODY VENTURI TEE, TWO 3/4" SB × 1/4" SB	500
—	23400-099-999	OZONE WALL FITTING NUT WRENCH	EACH



ACCESSORIES & TOOLS

DRAIN SYSTEMS *140*

ACCESSORY ITEMS *144*

TOOLS & AUXILIARY *147*

SPA DRAIN FITTINGS

STRAIGHT DRAIN

PRODUCT FEATURES

- Stainless or Graphite Gray Cover
- 2-5/16" Face



1" Slip Body
1-13/16" Hole Size



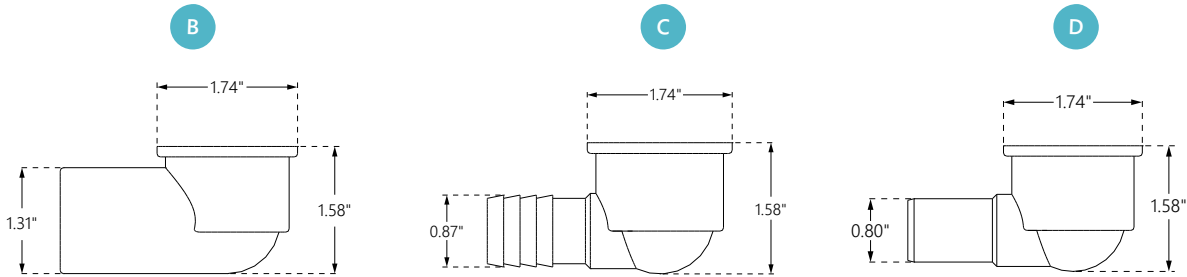
LOW PROFILE DRAIN

PRODUCT FEATURES

- Attractive Low Profile Installation
- Stainless or Graphite Gray Cover
- Slip or Barbed Fittings



1-1/4" Hole Size
1-3/8" Hole Size with "L" Gasket



ORDERING GUIDE

REF	CMP P/N	DESCRIPTION	BOX/BAG
2-5/16" FACE STRAIGHT SPA DRAINS			
A	25209-002-000	STAINLESS STEEL COVER, 1" SLIP STRAIGHT DRAIN	300/20
A	25209-007-000	GRAPHITE GRAY COVER, 1" SLIP STRAIGHT DRAIN	300/20
3/4" 90° LOW PROFILE DRAINS			
B	25208-002-000	STAINLESS STEEL COVER, 3/4" 90° SLIP	400/25
B	25208-007-000	GRAPHITE GRAY COVER, 3/4" 90° SLIP	400/25
C	25208-102-000	STAINLESS STEEL COVER, 3/4" 90° RIBBED BARB	400/25
C	25208-107-000	GRAPHITE GRAY COVER, 3/4" 90° RIBBED BARB	400/25
D	25208-222-000	STAINLESS STEEL COVER, 3/4" 90° SMOOTH BARB	400/25
D	25208-207-000	GRAPHITE GRAY COVER, 3/4" 90° SMOOTH BARB	400/25
—	26200-252-081	COMPRESSION SEAL	5000/1000

3-STEP FLUSH MOUNT DRAIN VALVE

Draining a hot tub just got a whole lot easier. Featuring a fast 3-Step operation, this drain easily installs with a standard hole saw. The double-seal protection ensures against leaks. The flush mount design and LED ready body create a clean and attractive installed appearance on any hot tub.

PRODUCT FEATURES

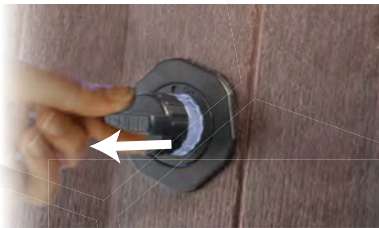
- Double Seal Protection
- Easy Hole-Saw Installation
- User Friendly Three-Step Operation
- LED-Ready for Back-lighting



3/4" Smooth Barb
2" Hole Size



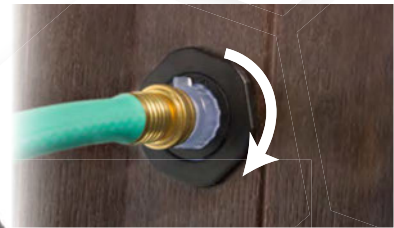
1. PULL OUT



2. REMOVE CAP



3. ATTACH HOSE & TWIST



ORDERING GUIDE

CMP P/N	DESCRIPTION	BOX QTY
3-STEP FLUSH MOUNT DRAIN VALVE		
25212-104-000	COMPLETE ASSEMBLY (DRAIN, GASKETS, CAP) WITH GHT THREADS	100
25212-204-000	COMPLETE ASSEMBLY (DRAIN, GASKETS, CAP) WITH BSP THREADS NEW	100

SPA DRAIN VALVES

STANDARD DRAIN VALVE

PRODUCT FEATURES

- Black Design with 3-1/2" Face
- Includes Drain Cap
- Available Adapters Sold Separately



1-1/2" Slip Body
2-9/16" Hole Size



ECONOMY DRAIN VALVE

PRODUCT FEATURES

- Cost-Effective Spa Drain Option
- Black Body with 2-1/4" Face
- Includes 3/4" Adapter & Drain Cap



1/2" Slip Body
1-5/16" Hole Size



QUICK DRAIN OUTLET

PRODUCT FEATURES

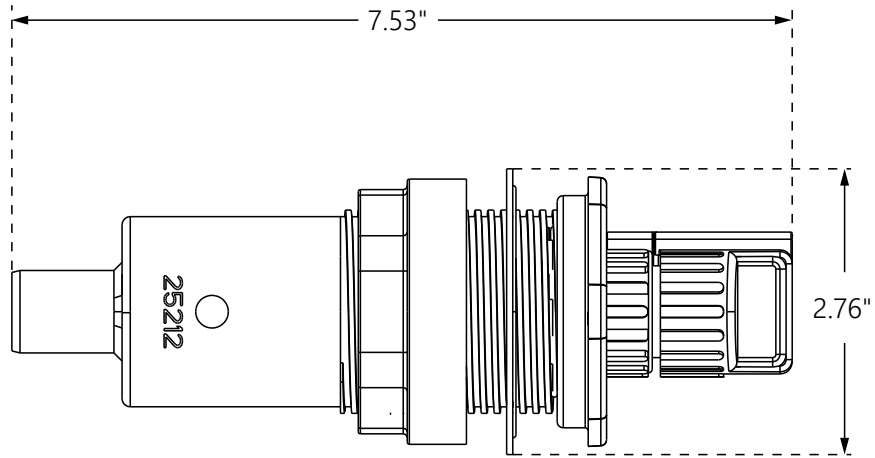
- Simple Plug and Drain Design
- 90° Fitting



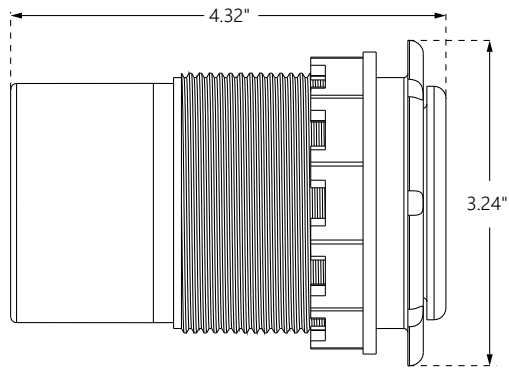
ORDERING GUIDE

REF	CMP P/N	DESCRIPTION	BOX/BAG
STANDARD DRAIN VALVE			
A	25211-004-000	STANDARD DRAIN VALVE ASSEMBLY (BODY & DRAIN CAP)	100
B	25211-004-200	1-1/2" MPT x 1-1/4" BARB ADAPTER	500/25
C	25211-004-100	1-1/2" MPT x 3/4" MPT ADAPTER	500/25
SMALL DRAIN VALVES			
D	25212-004-000	ECONOMY DRAIN VALVE ASSEMBLY (BODY, CAP, & 3/4" RB ADAPTER)	200
D	25212-114-000	ECONOMY DRAIN VALVE ASSEMBLY (BODY, CAP, & 3/4" SB ADAPTER) WITH LABEL	200
D	25212-214-000	ECONOMY DRAIN VALVE (3/4" RIBBED BARB) WITH LABEL	—
E	25213-004-000	QUICK DRAIN OUTLET	—

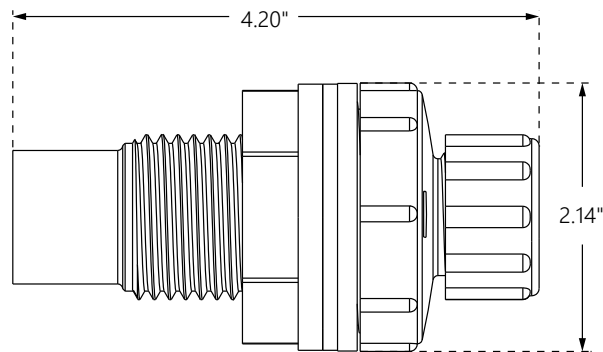
DRAIN VALVE DIMENSIONS



Flush Mount Drain Valve



Standard Drain Valve



Economy Drain Valve

CABINET ACCESSORIES

ALL-SEASON CABINET VENT

PRODUCT FEATURES

- Vent in Summer, or Close for Winter with Simple Open/Close Slide Mechanism
- Increase Spa Efficiency
- Snap-Fit Installation: No Nut Required



4.25" Diameter
Snap-Fit Hole Saw Installation



SPA STEREO MOUNT

PRODUCT FEATURES

- Recessed UV Resistant Housing
- Self-Closing Tinted Door
- Includes 1-3/4" SS Wood Screws



ORDERING GUIDE

REF	CMP P/N	DESCRIPTION	BOX QTY
CABINET VENTS & ACCESSORIES			
A	25229-004-000	ALL-SEASON CABINET VENT	64
B	25268-004-000	SPA STEREO MOUNT	EACH
C	25230-001-000	CLASSIC GRAY 2-5/16" × 8-1/2" CABINET VENT & SCREWS	220
D	25230-009-000	BROWN 2-5/16" × 8-1/2" CABINET VENT & SCREWS	220
E	25230-007-000	GRAPHITE GRAY 2-5/16" × 8-1/2" CABINET VENT & SCREWS	220
F	27360-104-000	3" CABINET VENT	1000

SPA ACCESSORIES

E-Z LIFTER® COVERLIFT

- Easy One Person Operation
- Rugged, Durable and Weather Resistant
- Compatible with Most Spas
- Hardware Kit Included
- Hardware Kit *Also* Sold Separately
- Individual Carton is Triangular (45.7" x 26.8" x 3")
- Master Carton 4-Pack is Rectangular (46" x 27.5" x 6")



*hot tub not included

STAINLESS STEEL HANDRAILS

- 304 & NEW 316L Stainless Steel
- Includes Stainless Steel Hardware



HANDHELD POOL & SPA QUICK-VAC

- Includes Four Cleaning Attachments
- Wall Mount Bracket and Screws Included
- Attractive & Branded Retail Packaging Design
- Clear View Filter



CARTRIDGE FILTER CLEANING TOOL

- Deep Clean Cartridge Filters
- Attaches to a Standard Garden Hose



ORDERING GUIDE

REF	CMP P/N	DESCRIPTION	RECTANGULAR SPA MAX. SIZE	BOX QTY
SPA ACCESSORIES				
A	58328-004-000	BLACK STANDARD E-Z LIFTER	66" - 96"	4
A	58328-000-000	GOLD STANDARD E-Z LIFTER	66" - 96"	4
A	58328-104-000	BLACK XL E-Z LIFTER	96" - 108"	4
A	58328-100-000	GOLD XL E-Z LIFTER	96" - 108"	4
—	58328-000-100	E-Z LIFTER COMPLETE REPLACEMENT HARDWARE KIT	—	—
B	27244-152-000	15" 304 STAINLESS STEEL HANDRAIL	—	60
B	27244-122-000	12" 316L STAINLESS STEEL HANDRAIL	—	—
B	27244-182-000	18" 316L STAINLESS STEEL HANDRAIL	—	—
B	27244-242-000	24" 316L STAINLESS STEEL HANDRAIL NEW	—	—
B	27244-302-000	30" 316L STAINLESS STEEL HANDRAIL NEW	—	—
C	58306-009-000	HANDHELD POOL AND SPA QUICK-VAC	—	6
D	25300-200-000	CARTRIDGE FILTER CLEANING TOOL	—	—

POLYURETHANE SPA PILLOWS

PRODUCT FEATURES

- Stock of Popular Shapes & Sizes
- Texture, Color, Shape and Style Options
- Pin Cushion & Suction Cup Attachments Available



ORDERING GUIDE

REF	CMP P/N	DESCRIPTION	SIZE	PIN QTY	BOX QTY
POLYURETHANE SPA PILLOWS					
A	25702-104-000	BLACK NECK COLLAR	12" x 4.5"	0	36
B	25700-104-000	BLACK CORNER COLLAR	11" x 3.5"	2	60
C	25702-154-000	BLACK CORNER PILLOW	12.5" x 5"	2	36
D	25708-114-000	BLACK FLAT PILLOW	9.75" x 4"	2	60
E	25703-307-000	GRAPHITE GRAY NECK COLLAR	10" x 3"	1	60
F	25703-507-000	GRAPHITE GRAY TRI-CURVE	9" x 5.75"	2	72
F	25703-504-000	BLACK TRI-CURVE	9" x 5.75"	2	72
G	25714-304-000	BLACK FLAT PILLOW	9.75" x 5.25"	2	36
H	25755-001-000	GRAPHITE GRAY INFLATABLE PILLOW	4.625 x 9.5"	2	40
I	25708-204-000	BLACK SHORT WRAP	17.5" x 3.5"	2	24
J	25708-304-000	BLACK LONG WRAP	31" x 4"	3	18
K	25709-507-000	GRAPHITE GRAY CORNER WRAP	24" x 4"	0	12
L	25702-217-000	GRAPHITE GRAY WRAP AROUND	23" x 3.5"	2	18
—	25270-004-000	REPLACEMENT PIN CUP	N/A	N/A	3000

TOOLS & AUXILIARY PRODUCTS



ORDERING GUIDE

REF	CMP P/N	DESCRIPTION	BOX/ BAG
TOOLS & AUXILIARY PRODUCTS			
A	22306-000-000	CLAMP PINCER FOR OETIKER CLAMPS	1
B	22305-075-000	3/4" BARB EAR CLAMP (ATTACHES CLEAR TUBE TO 3/4" BARB MANIFOLD)	2500/100
C	24375-000-000	3/8" BARB SPRING CLAMP	2500/100
D	22201-000-000	STA-TITE BLUE LO-V.O.C	12
D	22201-100-000	STA-TITE CLEAR LO-V.O.C.	12
E	22210-000-000	10.3OZ SILICONE (ACETOXY)	12
F	22005-100-000	FLEX HOSE 1/2" (100 FT)	EACH
F	22007-100-000	FLEX HOSE 3/4" (100 FT)	EACH
F	22010-050-000	FLEX HOSE 1" (50 FT)	EACH
F	22015-050-000	FLEX HOSE 1-1/2" (50 FT)	EACH
F	22020-050-000	FLEX HOSE 2" (50 FT)	EACH
F	22025-050-000	FLEX HOSE 2-1/2" (50 FT)	EACH
G	22143-500-000	CLEAR TUBE 1/8" X 1/4" (500 FT)	EACH
G	22144-650-000	CLEAR TUBE 1/4" X 3/8" (650 FT)	EACH
G	22145-400-000	CLEAR TUBE 3/8" X 9/16" (400 FT)	EACH
G	22146-300-000	CLEAR TUBE 3/8" X 5/8" (300 FT)	EACH
G	22171-150-000	CLEAR TUBE 3/4" X 1" (150 FT)	EACH



WHITE GOODS & PLUMBING

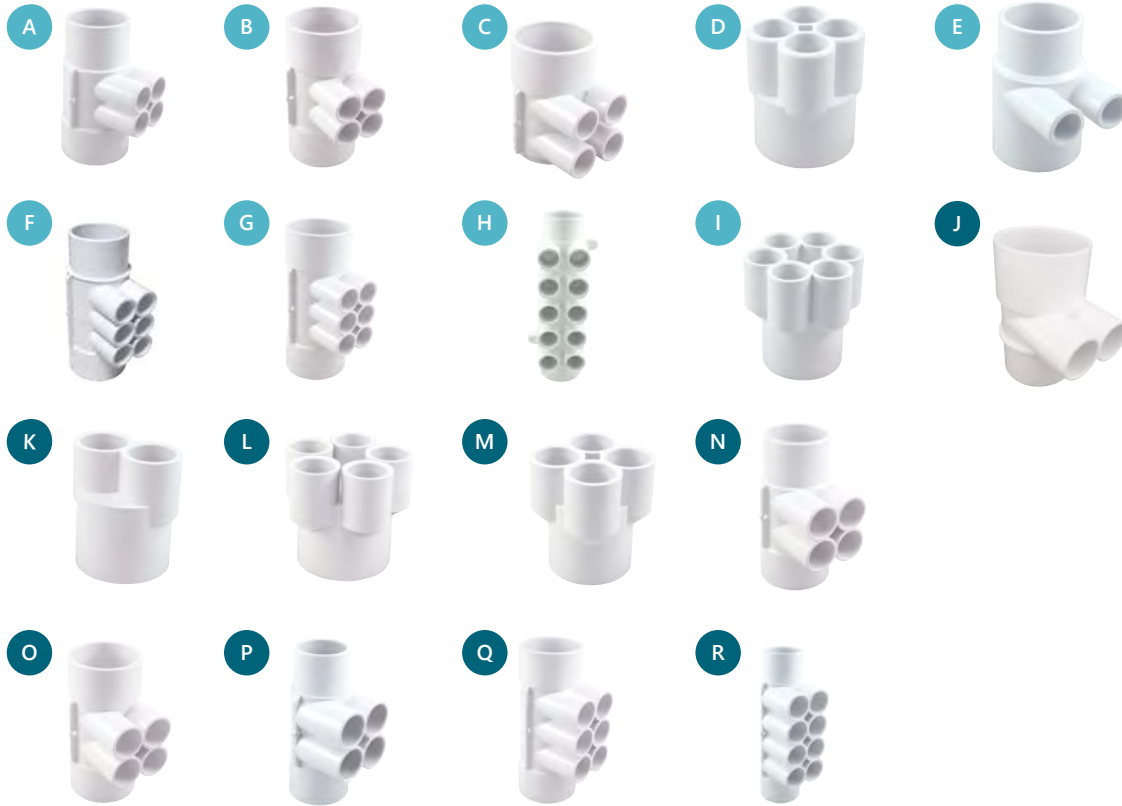
WATER & AIR MANIFOLDS *150*

PLUMBING & FITTINGS *156*

AIR & WATER VALVES *159*

REPAIR FITTINGS *162*

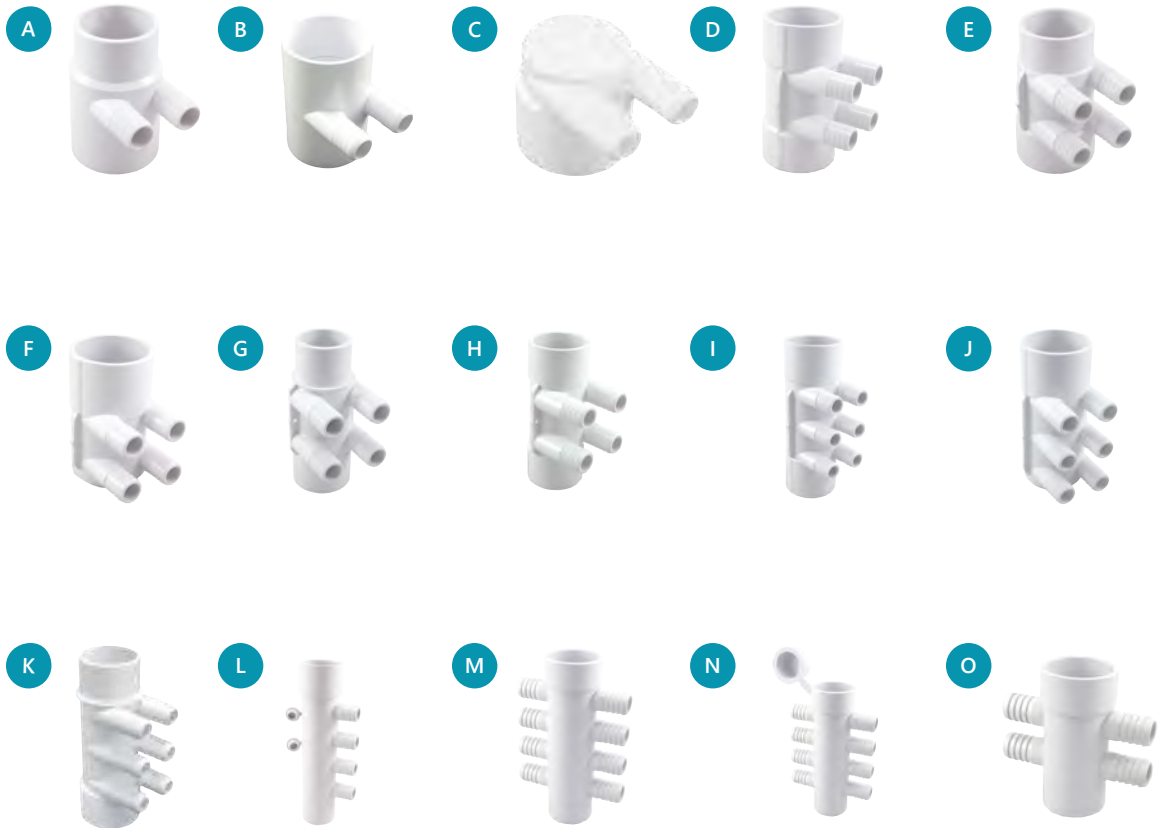
SLIP WATER MANIFOLDS



ORDERING GUIDE

REF	CMP P/N	DESCRIPTION	FITTING SIZE	BOX/BAG
1/2" SLIP WATER MANIFOLDS				
A	21110-040-000	FOUR PORT 1/2" SLIP	2" SOCKET × 2" SPIGOT	100
B	21111-040-000	FOUR PORT 1/2" SLIP	2" SOCKET × 2" SOCKET	100
C	21112-040-000	FOUR PORT 1/2" SLIP	2" SOCKET	100
D	21060-000-000	FOUR PORT 1/2" SLIP	1.5" SOCKET	350/25
E	21110-020-000	TWO PORT 1/2" SLIP	2" SOCKET × 2" SPIGOT	100
F	21110-060-000	SIX PORT 1/2" SLIP	2" SOCKET × 2" SPIGOT	100
G	21111-060-000	SIX PORT 1/2" SLIP	2" SOCKET × 2" SOCKET	70
H	21113-100-000	TEN PORT 1/2" SLIP & FOUR PLUGS	1.2" SOCKET × 1.5" SPIGOT	65
I	21116-060-000	SIX PORT 1/2" SLIP	1.5" SOCKET	200/20
—	21131-100-010	1/2" SLIP PORT PLUGS	—	2000/200
3/4" SLIP WATER MANIFOLDS				
J	21120-020-100	TWO PORT 3/4" SLIP	2" SOCKET × 2" SPIGOT	—
K	21127-020-000	TWO PORT 3/4" SLIP	1.5" SOCKET	150
L	21125-050-000	FIVE PORT 3/4" SLIP	2" SOCKET	100
M	21127-040-000	FOUR PORT 3/4" SLIP	1.5" SOCKET	100
N	21120-040-000	FOUR PORT 3/4" SLIP	2" SOCKET × 2" SPIGOT	80
O	21121-040-000	FOUR PORT 3/4" SLIP	2" SOCKET × 2" SOCKET	80
P	21123-040-000	FOUR PORT 3/4" SLIP	1.5" SOCKET × 1.5" SPIGOT	120
Q	21121-060-000	SIX PORT 3/4" SLIP	2" SOCKET × 2" SOCKET	80
R	21123-080-000	EIGHT PORT 3/4" SLIP & FOUR PLUGS	1.5" SOCKET × 1.5" SPIGOT	80
—	21090-000-000	3/4" SLIP PORT PLUGS	—	500

3/4" RIBBED BARB WATER MANIFOLDS



ORDERING GUIDE

REF	CMP P/N	DESCRIPTION	FITTING SIZE	BOX QTY
3/4" RIBBED BARB WATER MANIFOLDS				
A	21130-020-100	TWO PORT 3/4" RIBBED BARB	2" SOCKET × 2" SPIGOT	100
B	21130-420-100	TWO PORT 3/4" RIBBED BARB	2" SOCKET × 2" SOCKET	100
C	21130-520-100	TWO PORT 3/4" RIBBED BARB LIGHT WEIGHT	2" SOCKET × BLIND	100
D	21027-200-100	FOUR PORT 3/4" RIBBED BARB	2" SOCKET × 2" SOCKET	100
E	21027-000-100	FOUR PORT 3/4" RIBBED BARB	2" SOCKET × 2" SPIGOT	100
F	21027-100-100	FOUR PORT 3/4" RIBBED BARB	2" SOCKET × BLIND	100
G	21134-440-000	FOUR PORT 3/4" RIBBED BARB	1.5" SOCKET × 1.5" SPIGOT	120
H	21134-340-000	FOUR PORT 3/4" RIBBED BARB	1.5" SOCKET × 1.5" SOCKET	120
I	21024-000-100	SIX PORT 3/4" RIBBED BARB	2" SOCKET × 2" SOCKET	50
J	21024-100-100	SIX PORT 3/4" RIBBED BARB	2" SOCKET × BLIND	50
K	21025-000-100	SIX PORT 3/4" RIBBED BARB	2" SOCKET × 2" SPIGOT	50
L	21026-000-000	FOUR PORT 3/4" RIBBED BARB & TWO PLUGS	1.5" SOCKET × 1.5" SPIGOT	100
M	21133-080-000	EIGHT PORT 3/4" RIBBED BARB	1.5" SOCKET × 1.5" SPIGOT	50
N	21139-080-000	EIGHT PORT 3/4" RIBBED BARB	1.5" SOCKET × 1.5" PLUG	100
O	21133-040-000	FOUR PORT 3/4" RIBBED BARB	1.5" SOCKET × 1.5" SPIGOT	150
—	21027-000-010	3/4" RIBBED BARB PORT PLUG	—	—

3/4" SMOOTH BARB WATER MANIFOLDS



ORDERING GUIDE

REF	CMP P/N	DESCRIPTION	FITTING SIZE	BOX QTY
3/4" SMOOTH BARB WATER MANIFOLDS				
A	21130-620-100	TWO PORT 3/4" SMOOTH BARB	2" SOCKET × BLIND	100
B	21130-220-100	TWO PORT 3/4" SMOOTH BARB	2" SOCKET × 2" SOCKET	100
C	21130-320-100	TWO PORT 3/4" SMOOTH BARB	2" SOCKET × 2" SPIGOT	100
D	21027-300-100	FOUR PORT 3/4" SMOOTH BARB	2" SOCKET × 2" SPIGOT	100
E	21027-040-100	FOUR PORT 3/4" SMOOTH BARB	2" SOCKET × 2" SOCKET	100
F	21027-120-100	FOUR PORT 3/4" SMOOTH BARB	2" SOCKET × BLIND	100
G	21027-340-000	FOUR PORT 3/4" SMOOTH BARB	2" SPIGOT × 2" SPIGOT	100
H	21134-140-000	FOUR PORT 3/4" SMOOTH BARB	1.5" SOCKET × 1.5" SOCKET	120
I	21134-240-000	FOUR PORT 3/4" SMOOTH BARB	1.5" SOCKET × 1.5" SPIGOT	120
J	21085-100-000	FOUR PORT 3/4" SMOOTH BARB	1" SOCKET	50
K	21087-120-000	TWO PORT 3/4" SMOOTH BARB	1" SPIGOT	600
L	21025-100-100	SIX PORT 3/4" SMOOTH BARB	2" SOCKET × 2" SPIGOT	50
M	21025-060-100	SIX PORT 3/4" SMOOTH BARB	2" SOCKET × 2" SOCKET	50
N	21025-260-000	SIX PORT 3/4" SMOOTH BARB	2" SPIGOT × 2" SPIGOT	50
O	21024-120-100	SIX PORT 3/4" SMOOTH BARB	2" SOCKET × BLIND	50
P	21025-012-000	TWELVE PORT 3/4" SMOOTH BARB	2" SOCKET × 2" SOCKET	40
—	21025-000-001	3/4" SMOOTH BARB PLUG	—	50
Q	21025-000-002	3/4" SMOOTH BARB SLIP × 3/8" SMOOTH BARB	—	700

BARB AIR MANIFOLDS



REF CMP P/N DESCRIPTION FITTING SIZE BOX/BAG

BARB AIR MANIFOLDS				
A	21081-060-000	SIX PORT 3/8" RIBBED BARB	1" SPIGOT × 1" SOCKET	200
B	21162-080-000	EIGHT PORT 3/8" RIBBED BARB	1" SPIGOT × 1" SOCKET	200
B	21162-080-100	EIGHT PORT 3/8" SMOOTH BARB	1" SPIGOT × 1" SOCKET	200
C	21028-000-000	EIGHT PORT 3/8" RIBBED BARB	1" SOCKET × 1" SPIGOT × 1" SPIGOT	85
D	21162-120-000	TWELVE PORT 3/8" RIBBED BARB	1" SOCKET × 1" SPIGOT	220
D	21162-120-100	TWELVE PORT 3/8" SMOOTH BARB	1" SOCKET × 1" SPIGOT	220
E	21081-000-000	FOUR PORT 3/8" RIBBED BARB	1" SOCKET × 1" SPIGOT	250/25
E	21081-000-100	FOUR PORT 3/8" SMOOTH BARB	1" SOCKET × 1" SPIGOT	250/25
F	21151-100-000	TEN PORT 3/8" SMOOTH BARB	1.5" SOCKET × 1.5" SPIGOT & FOUR PLUGS	100
G	21155-060-000	SIX PORT 3/8" RIBBED BARB	1/2" SOCKET × 1/2" SOCKET	200
H	21161-080-000	EIGHT PORT 3/8" RIBBED BARB	1.5" SOCKET × 1.5" SPIGOT (USE WITH 3/4" STEP PLUG)	150
I	21052-000-000	SIX PORT 3/8" SMOOTH BARB 2-4-6	1/2" SLIP × 1/2" SLIP BLIND	100
J	21028-100-000	TEN PORT 3/8" SMOOTH BARB NEW	1/2" SLIP × 1/2" SLIP	100
—	21028-200-000	TEN PORT 3/8" SMOOTH BARB NEW	1/2" SLIP × 1/2" SLIP	100
K	21082-000-000	SIX PORT 3/8" SMOOTH BARB	1" SOCKET × 1" SOCKET	150
L	21083-000-000	EIGHT PORT 3/8" SMOOTH BARB	1" SOCKET × 1" SOCKET	150
M	21084-000-000	TEN PORT 3/8" SMOOTH BARB	1" SOCKET × 1" SOCKET	150
N	21161-060-000	SIX PORT 3/8" RIBBED BARB	1.5" SOCKET × 1.5" SPIGOT	100
O	21157-040-000	FOUR PORT 3/8" SMOOTH BARB	1" SPIGOT	300/20
P	21159-040-000	FOUR PORT 3/8" SMOOTH BARB	1" SLIP	300/20
Q	21159-050-000	FIVE PORT 3/8" SMOOTH BARB	1" SLIP	300/20
R	21080-000-000	FIVE PORT 3/8" SMOOTH BARB	1" SPIGOT	500/25
S	21158-030-000	THREE PORT 1/4" SMOOTH BARB NEW	3/4" SLIP	300
T	21156-020-000	TWO PORT 3/8" SMOOTH BARB	1" SLIP	300/20
U	21158-020-000	TWO PORT 3/8" RIBBED BARB	3/4" RIBBED BARB	300/20
V	21033-000-000	TWO PORT 3/8" RIBBED BARB	1" SPIGOT	1000/50
—	21033-000-100	TWO PORT 3/8" SMOOTH BARB NEW	1" SPIGOT	500
W	21160-140-000	FOUR PORT 3/8" SMOOTH BARB	1" SPIGOT	800
—	21028-100-000	TEN PORT 3/8" SMOOTH BARB NEW	1/2" SLIP × 1/2" SLIP BLIND	100
—	21028-000-010	3/8" BARB PLUG	—	1000/200

BARB ADAPTERS & FITTINGS



ORDERING GUIDE

REF	CMP P/N	DESCRIPTION	BOX/BAG
BARB ADAPTERS			
A	21036-000-000	3/8" RIBBED BARB TEE BODY, 1" SOCKET × 1" SOCKET	500
B	21037-000-000	3/8" RIBBED BARB ELL BODY, 1" SLIP	50
C	21037-100-000	3/8" RIBBED BARB ELL BODY, 1" SPIGOT	600/50
D	21038-000-000	1" SOCKET × 3/4" RIBBED BARB	500/25
E	21039-000-000	1-1/4" SOCKET × 3/4" RIBBED BARB	500/25
F	21031-050-000	1/2" SPIGOT × 3/4" RIBBED BARB	1000/100
F	21031-060-000	1/2" SPIGOT × 3/4" SMOOTH BARB	1000/100
G	21032-000-000	3/4" SPIGOT × 3/4" RIBBED BARB	1000/50
G	21032-100-000	3/4" SPIGOT × 3/4" SMOOTH BARB	1000/50
H	21031-100-000	1" SPIGOT × 3/4" RIBBED BARB	1000/100
H	21031-400-000	1" SPIGOT × 3/4" SMOOTH BARB	1000/100
I	21031-500-000	1" SPIGOT × 1" RIBBED BARB	600
J	25267-000-170	WET END ADAPTER, 3/8" RIBBED BARB × 1/4" MPT	1000/250
K	21031-030-000	1/2" SPIGOT × 3/8" RIBBED BARB	1000/100
L	21030-000-000	1" SPIGOT × 3/8" SMOOTH BARB	1000/50
M	21031-200-000	2" SPIGOT × 3/4" RIBBED BARB	300
COUPLERS			
N	21000-380-000	3/8" RIBBED BARB COUPLING	1000
O	21000-750-000	3/4" RIBBED BARB COUPLING	600
—	21000-750-100	3/4" SMOOTH BARB COUPLING	—
P	21025-000-002	3/4" SOCKET × 3/8" SMOOTH BARB	700
Q	21000-754-375	FLOW REDUCER, 3/4" RIBBED BARB × 3/4" RIBBED BARB/3/8" ID, BLACK	600
Q	21000-751-250	FLOW REDUCER, 3/4" RIBBED BARB × 3/4" RIBBED BARB/0.25" ID, GRAY	600
R	21000-254-380	1/4" RIBBED BARB × 3/8" RIBBED BARB	2000/100
—	21030-100-000	2" SPIGOT × 3/4" SMOOTH BARB	—

BARB ADAPTERS & PLUGS



ORDERING GUIDE

REF	CMP P/N	DESCRIPTION	BOX/BAG
BARB TEES & WYES			
A	21061-300-000	FOUR PORT 3/8" RIBBED TEE	1000/100
B	21051-100-000	TWO PORT 3/4" SMOOTH BARB × 1" SP	1000/100
C	21061-100-000	TWO PORT 3/4" RIBBED BARB × 1" SP	1000/100
D	21051-000-000	THREE PORT 3/4" SMOOTH BARB	1000/100
E	21050-140-000	TWO PORT 3/4" SMOOTH BARB × 1/4" SMOOTH BARB	1000/100
F	21061-140-000	THREE PORT 1/4" SMOOTH BARB	1000/100
G	21061-050-000	3/8" BARB TEE RIBBED BARB	1000/100
H	21050-000-000	TWO PORT 3/4" SMOOTH BARB × 3/8" SMOOTH BARB	1000/100
I	21002-000-000	75° WYE, 3/4" SMOOTH BARB	700/100
J	21061-240-000	3/8" SMOOTH BARB TEE	EACH
90 DEGREE 3/4" BARB ADAPTERS			
K	21034-100-000	3/4" SPIGOT × 3/4" RIBBED BARB ELL	1000/50
—	25234-719-000	3/4" SOCKET × 3/4" SMOOTH BARB ELL	1000/50
L	21034-200-000	1" SPIGOT × 3/4" RIBBED BARB ELL	1000/50
M	21034-400-000	1" SPIGOT × 3/4" SMOOTH BARB ELL	1000/50
N	21034-350-000	1/2" SPIGOT × 3/4" SMOOTH BARB ELL	1000/50
O	21034-050-000	1/2" SPIGOT × 3/4" RIBBED BARB ELL	1000/50
—	25234-719-000	3/4" SMOOTH BARB SOCKET × 3/4" SMOOTH BARB ELL	1000
MANIFOLD PLUGS & CAPS			
P	21027-000-010	3/4" RIBBED BARB MANIFOLD PLUG	2000/200
P	21025-000-001	3/4" SMOOTH BARB MANIFOLD PLUG	2000/20
Q	21022-000-000	1" SLIP PLUG	500/25
Q	21022-200-000	2" SLIP PLUG	480
R	21081-060-020	1" CAP	1000/100
—	21160-000-100	1" SPIGOT MANIFOLD PLUG FOR 21160-120 & 21160-140	1000/100
S	21090-100-000	3/4" STEP PLUG	5000/100
—	21028-000-020	3/8" VINYL HOSE PLUG	—

ELBOWS & FITTINGS



ORDERING GUIDE

REF	CMP P/N	DESCRIPTION	PLUMBING SIZE	BOX QTY
ELBOWS & FITTINGS				
A	21096-000-000	1.5" U-BEND	1.5" SOCKET × 1.5" SOCKET	50
A	21095-000-000	2" U-BEND	2" SOCKET × 2" SOCKET	60
B	21016-000-000	1" COUPLING	1" SOCKET × 1" SOCKET	500
B	21015-000-000	1.5" COUPLING	1.5" SOCKET × 1.5" SOCKET	300
C	21018-000-000	1" 90° STREET ELL	1" SOCKET × 1" SPIGOT	500
C	21018-100-000	SHORT 1" 90° STREET ELL	1" SOCKET × 1" SPIGOT	500
C	21013-000-000	1.5" 90° STREET ELL	1.5" SOCKET × 1" SPIGOT	150
D	21205-000-000	2" 90° STREET ELL, 1/2" FPT LEFT OUTLET	2" SOCKET × 2" SPIGOT	100
D	21210-000-000	1.5" 90° STREET ELL, 1/2" FPT LEFT OUTLET	1.5" SOCKET × 1.5" SPIGOT	100
—	21013-150-000	1.5" 90° ELL	1.5" SPIGOT × 1.5" SPIGOT	—
E	21008-000-000	2" 90° ELL	2" SOCKET × 2" SOCKET	100
E	21013-200-000	2" 90° STREET ELL	2" SOCKET × 2" SPIGOT	100
F	21105-000-000	1.5" SWEEP 90° ELL	1.5" SOCKET × 1.5" SOCKET	100
F	21005-000-000	WIDE THROAT 2" SWEEP 90° ELL	2" SOCKET × 2" SOCKET	100
G	21106-000-000	1.5" SWEEP 90° STREET ELL	1.5" SOCKET × 1.5" SPIGOT	100
G	21006-000-000	WIDE THROAT 2" 90° STREET ELL	2" SOCKET × 2" SPIGOT	100
H	21020-000-000	1" 45° ELL	1" SOCKET × 1" SOCKET	500
I	21010-000-000	1.5" 45° STREET ELL	1.5" SOCKET × 1.5" SPIGOT	200
I	21010-200-000	2" 45° STREET ELL	2" SOCKET × 2" SPIGOT	100
J	21011-000-000	LEFT 1.5" 90° DRAIN ELL	1.5" SOCKET × 1.5" SPIGOT	150
J	21012-000-000	RIGHT 1.5" 90° DRAIN ELL	1.5" SOCKET × 1.5" SPIGOT	150
K	21017-000-000	REDUCER TEE	1" S × 1" S × 3/4" S/1" SP	300
—	21014-000-000	PUMP TEE	1" SOCKET × 1" SOCKET × 1.5" SPIGOT	200
—	21017-150-000	1.5" TEE	1.5" SOCKET × 1.5" SOCKET × 1.5" SPIGOT	300
—	21017-200-000	2" TEE	2" SOCKET × 2" SOCKET × 2" SPIGOT	—
L	21007-000-000	2" NARROW WYE	2" SOCKET	50
M	21004-000-000	2" 120° WYE	2" SOCKET	50
M	21004-150-000	2" 120° WYE	2" SOCKET × 1.5" SOCKET × 1.5" SOCKET	50
N	21009-000-000	1" LOW ANGLE WYE	1" SOCKET	200
O	25398-010-000	1.5" × 2" REDUCER BUSHING	1.5" SOCKET × 2" SPIGOT	200
—	25232-200-999	FILTER INSERT FITTING NUT WRENCH	—	—

UNIONS



ORDERING GUIDE

REF	CMP P/N	DESCRIPTION	BOX/BAG
UNIONS			
A	21021-000-000	1.5" SLIP PUMP UNION WITH T-GASKET	200
—	26100-495-350	OPTIONAL O-RING FOR 21021-000-000	1000
A	21023-000-000	2" SLIP PUMP UNION WITH T-GASKET	100
A	21023-250-000	2.5" UNION ASSY WITH T-GASKET	75
B	21023-100-000	2" 45° PUMP UNION	100
C	21049-150-000	1.5" SELF-ALIGNING INLINE UNION, 1.5" SOCKET	100
C	21049-200-000	2" SELF-ALIGNING INLINE UNION, 2" SOCKET	100
C	21047-000-000	1.5" INLINE UNION, 1.5" SOCKET (NUT, SLEEVE, O-RING, THREADED TAIL)	200
C	21048-000-000	2" INLINE UNION, 2" SOCKET (NUT, SLEEVE, O-RING, THREADED TAIL)	200
D	21003-000-000	2" SLIP WIDE THROAT SWEEP UNION WITH T-GASKET, 2" FIP THREAD	60
D	21003-100-000	2" SPIGOT WIDE THROAT SWEEP UNION WITH T-GASKET, 2" FIP THREAD	60
—	21092-050-000	REPLACEMENT GASKET FOR 21003 SWEEP UNIONS	800/50
F	21046-000-000	1.5" UNION TAILPIECE, 1.5" BUTTRESS THREAD × 1.5" SOCKET	200
F	25300-004-070	1.5" SPLIT UNION NUT WITH TWO SCREWS	400/20
—	21046-200-100	HEATER TAILPIECE × 2" SPIGOT	—
—	21046-200-000	HEATER TAILPIECE × 2" SOCKET	—

THREADED FITTINGS



ORDERING GUIDE

REF	CMP P/N	DESCRIPTION	BOX/BAG
THREADED FITTINGS			
A	21001-107-000	HOT WATER RETURN 1" SLIP; WITH GRATE	100
B	21001-204-000	HOT WATER RETURN FITTING, 1" SLIP, BLACK	—
—	21001-207-000	HOT WATER RETURN FITTING, 1" SLIP, GRAPHITE GRAY	—
—	21001-209-000	HOT WATER RETURN FITTING, 1" SLIP, CLASSIC GRAY	—
C	25232-000-000	FILTER INSERT FITTING FOR 25252-800-000, 1.5"ACME THREAD	200
D	25232-200-000	FILTER INSERT FITTING FOR GRATE (GRATE SOLD SEPARATELY)	200
—	25232-200-020	STANDARD GRATE FOR 25232-200-000	200
—	25232-719-208	L-GASKET FOR 25232-200-000	200
—	25232-004-200	FLAT NUT FOR 25232-200-000	200
E	23300-200-010	THREADED FILTER FITTING, 1.5" SLIP/2" MIP × 1.5" FIP	300/20
F	25205-070-000	90° ADAPTER, 1.5" SLIP × 2" FIP	150
G	25204-050-000	2" SLIP ADAPTER NUT, 2" FIP	150
H	25523-500-010	2" FIP ADAPTER NUT, 1.5" SLIP/2" SPIGOT	50
I	26207-705-930	GASKET FOR FILTER FITTING & 94 GPM SUCTION	1500
—	26200-252-051	GASKET FILTER FITTING EPDM, GRAY	1000
J	25550-050-000	THREADED FITTING NUT	500

CHECK VALVES



ORDERING GUIDE

REF	CMP P/N	DESCRIPTION	BOX/BAG
CHECK VALVES			
A	25063-000-000	1/4 LB UNIONIZED AIR CHECK VALVE, 2" SPIGOT × 1.5" SOCKET	112
B	25069-000-000	1/4" UNIONIZED AIR CHECK VALVE, 1.5" SOCKET	112
C	25065-000-000	1" AIR CHECK VALVE, 1" SOCKET	280/20
D	25067-000-000	1/4 LB AIR CHECK VALVE, 2" SPIGOT/1.5" SOCKET	150
E	25062-000-000	1" SOCKET SWING CHECK VALVE	120
E	25062-160-000	1.5" THREADED SWING CHECK VALVE	120
E	25062-209-000	2" SOCKET SWING CHECK VALVE, CLEAR	40
E	25062-159-000	1.5" SOCKET SWING CHECK VALVE, CLEAR	120
F	25070-000-000	1/2" FIP POP CHECK VALVE	400
G	25070-000-100	1/2" SLIP POP CHECK VALVE	400
H	25066-375-000	TUBING CHECK VALVE FOR 3/8" VINYL TUBING	—
I	21064-500-000	1/2" SLIP CHECK VALVE	—
J	25060-000-000	AIR CHECK VALVE	—
—	23750-000-040	CHECK VALVE FOR TYPHOON JET BODY NEW	EACH

LOCKING SLICE VALVES

A complete line of slice valves in a variety of configurations for pool and spa applications. CMP slice valves are assembled as one complete unit with 100% shut-off capabilities. These are the best line of slice valves for every installation.

PRODUCT FEATURES

- 100% Shut-Off
- Lockable in Open Position
- Includes Press-Fit Valve Lock to Ensure a Constant Full Flow Open Position
- All Slice Valves are White Unless Otherwise Noted



ORDERING GUIDE

REF	CMP P/N	DESCRIPTION	BOX/BAG
LOCKING SLICE VALVES			
A	25850-150-000	1.5" SOCKET × SOCKET	70
A	25850-200-000	2" SOCKET × SOCKET	64
A	25850-250-000	2.5" SOCKET × SOCKET	42
A	25851-150-000	1.5" SPIGOT × SPIGOT	70
A	25851-200-000	2" SPIGOT × SPIGOT	64
A	25851-250-000	2.5" SPIGOT × SPIGOT	42
A	25852-150-000	1.5" SPIGOT × SOCKET	70
A	25852-200-000	2" SPIGOT × SOCKET	64
A	25852-250-000	2.5" SPIGOT × SOCKET	42
A	25853-150-000	1.5" SPIGOT × MALE UNION	70
A	25853-200-000	2" SPIGOT × MALE UNION	64
A	25853-250-000	2.5" SPIGOT × MALE UNION	42
A	25858-150-000	1.5" SLIP × MALE UNION	70
A	25858-200-000	2" SLIP × MALE UNION	64
A	25858-250-000	2.5" SLIP × MALE UNION	42
B	25854-150-000	1.5" MIP × FIP	70
C	25855-150-000	1.5" FIP × SPLIT NUT	55
D	25856-150-000	WHITE 1.5" MIP × HOSE ADAPTER	70
D	25856-154-000	BLACK 1.5" MIP × HOSE ADAPTER	70
E	25857-150-000	WHITE 1.5" SPLIT NUT × HOSE ADAPTER	55
E	25857-154-000	BLACK 1.5" SPLIT NUT × HOSE ADAPTER	55
—	25850-000-100	REPLACEMENT SLICE VALVE LOCK	1000/200

TWO-WAY BALL VALVES

The CMP collection of ball valves has one of the largest varieties in the industry. Our two-way ball valves include easy to adjust replaceable handles.

PRODUCT FEATURES

- Durable PVC Construction
- Socket x Socket in 3/4" to 4" Sizes
- Unionized Valves in 1.5" to 2" Sizes



ORDERING GUIDE

REF	CMP P/N	DESCRIPTION	BOX QTY
UNIONIZED BALL VALVES			
A	25802-151-000	1.5" SOCKET UNION BALL VALVE	32
A	25802-210-000	2" SOCKET UNION BALL VALVE	32
B	25802-651-000	1.5" FIP x MIP UNION BALL VALVE	12
SOCKET x SOCKET BALL VALVES			
—	25800-751-000	3/4" S x S BALL VALVE	100
—	25800-110-000	1" S x S BALL VALVE	100
—	25800-151-000	1.5" S x S BALL VALVE	150
—	25800-210-000	2" S x S BALL VALVE	30
—	25800-251-000	2.5" S x S BALL VALVE	30
—	25800-310-000	3" S x S BALL VALVE	30
—	25800-410-000	4" S x S BALL VALVE	30
BALL VALVE ACCESSORIES			
—	25800-751-130	SILVER HANDLE FOR 3/4" BALL VALVE	550
—	25800-101-130	SILVER HANDLE FOR 1" BALL VALVE	550
—	25800-151-130	SILVER HANDLE FOR 1.5" BALL VALVE	250
—	25800-201-130	SILVER HANDLE FOR 2" BALL VALVE	250
—	25800-251-130	RED HANDLE FOR 2.5" BALL VALVE	200
—	25800-310-130	RED HANDLE FOR 3" BALL VALVE	30
—	25800-410-130	RED HANDLE FOR 4" BALL VALVE	30
—	25802-151-080	HANDLE FOR 1.5" UNION BALL VALVE	180
—	25802-651-080	HANDLE FOR 1.5" FIP x MIP	180
—	26100-530-462	O-RING FOR 1.5" UNION BALL VALVE	200
—	26100-651-462	INSIDE O-RING FOR 1.5" FIP x MIP	200

SPECIALTY REPAIR FITTINGS

CLIP-ON PIPE SEAL

- Snaps Into Place over Leaking Joints
- One-Piece Repair Fitting Design
- Complete set of sizes from 3/4" to 2-1/2"



PIPE EXTENDERS

- Small End Fits Inside PVC Pipe
- Large End is Equivalent to the Pipe Size



INSIDE COUPLERS

- Both Ends Fit Inside the PVC Pipe
- Cleaner Appearance than Outside Couplers



FITTING EXTENDERS

- A More Professional Repair
- No Loss of Flow
- CMP Exclusive True 2" Socket Extender



ORDERING GUIDE

REF	CMP P/N	DESCRIPTION	FITTING SIZE	BOX/BAG
REPAIR FITTINGS				
A	21184-750-000	3/4" CLIP-ON PIPE SEAL	3/4"	1000
A	21184-100-000	1" CLIP-ON PIPE SEAL	1"	1000
A	21184-150-000	1.5" CLIP-ON PIPE SEAL	1.5"	600
A	21184-200-000	2" CLIP-ON PIPE SEAL	2"	300
A	21184-250-000	2.5" CLIP-ON PIPE SEAL	2.5"	200
A	21184-230-000	2" PIPE × 2.5" SP CLIP-ON PIPE SEAL	2" × 2.5" SP	200
B	21181-750-000	3/4" PIPE EXTENSION	3/4"	750
B	21181-100-000	1" PIPE EXTENSION	1"	100
B	21181-150-000	1.5" PIPE EXTENSION	1.5"	100/25
B	21181-200-000	2" PIPE EXTENSION	2"	100
B	21181-250-000	2.5" PIPE EXTENSION	2.5"	60
B	21181-300-000	3" PIPE EXTENSION	3"	25
B	21181-400-000	4" PIPE EXTENSION	4"	20
C	21183-100-000	1" INSIDE COUPLER	1"	1000
C	21183-150-000	1.5" INSIDE COUPLER	1.5"	200
C	21183-200-000	2" INSIDER COUPLER	2"	200
D	21182-150-000	1.5" FITTING EXTENSION	1.5" × 1.5" S / 2" SP	200
D	21182-200-000	2" FITTING EXTENSION	2" × 1.5" S / 2" SP	100
D	21182-220-000	2" FITTING EXTENSION	2" × 2" S	200
D	21182-250-000	2.5" FITTING EXTENSION	2.5" × 2.5" S	100

INFORMATION & REFERENCE

TECHNICAL REFERENCES *164*

PART NUMBER INDEX *169*

TERMS & CONDITIONS *177*

LIMITED WARRANTY *178*

ISO CERTIFICATION *182*

SPA PRODUCT HOLE SIZE CHART

SPA SHELL RECOMMENDED HOLE SIZES

SPA PRODUCT DESCRIPTION	HOLE SAW SIZE		
	IMPERIAL (DEC)	IMPERIAL (FRAC)	METRIC
SPA JETS			
200 SERIES PRO-LOC OR TYPHOON THREADED JET BODY Y W/ "L" GASKET	1.500"	1-1/2"	38.1 MM
300 SERIES PRO-LOC OR TYPHOON THREADED JET BODY Y W/ "L" GASKET	2.313"	2-5/16"	58.8 MM
400 SERIES PRO-LOC OR TYPHOON THREADED JET BODY Y W/ "L" GASKET	2.750"	2-3/4"	69.9 MM
500 SERIES PRO-LOC OR TYPHOON THREADED JET BODY Y W/ "L" GASKET	3.938"	3-15/16"	100.0 MM
200 SERIES PRO-LOC OR TYPHOON THREADED JET BODY W/ FLAT GASKET	1.500"	1-1/2"	38.1 MM
300 SERIES PRO-LOC OR TYPHOON THREADED JET BODY W/ FLAT GASKET	2.188"	2-3/16"	55.6 MM
400 SERIES PRO-LOC OR TYPHOON THREADED JET BODY W/ FLAT GASKET	2.625"	2-5/8"	66.7 MM
500 SERIES PRO-LOC OR TYPHOON THREADED JET BODY W/ FLAT GASKET	3.750"	3-3/4"	95.3 MM
EURO JET BODY	0.875"	7/8"	22.2 MM
CLUSTER JET BODY	1.000"	1"	25.4 MM
AIR X BODY	1.188"	1-3/16"	30.2 MM
3" NECK JET BODY	1.750"	1-3/4"	44.5 MM
3-3/4" SWIM JET	3.125"	3-1/8"	79.4 MM
3-1/4" WHIRLPOOL JET Y W/ "L" GASKET	2.688"	2-11/16"	68.3 MM
3-1/4" WHIRLPOOL JET W/ FLAT GASKET	2.563"	2-9/16"	65.1 MM
5" MULTI-PORT OR MASSAGE POWER JET	3.750"	3-3/4"	95.3 MM
5" WHIRLPOOL DIVERTER JET	3.313"	3-5/16"	84.1 MM
WHIRLPOOL DIVERTER JET BODY W/ "L" GASKET	3.938"	3-15/16"	100.0 MM
SWIM-POWER TURBO JET	4.625"	4-5/8"	117.5 MM
7" JUMBO JETS	5.750"	5-3/4"	146.1 MM
AIR INJECTOR - ECONOMY	0.563"	9/16"	14.3 MM
AIR INJECTOR - DELUXE	0.688"	11/16"	17.5 MM
LED SPA LAMINAR JETS	1.500"	1-1/2"	38.1 MM
VALVES / CONTROLS			
AIR BUTTONS	1.375"	1-3/8"	34.9 MM
1" AIR CONTROL VALVE	1.688"	1-11/16"	42.9 MM
1" AIR CONTROL LED BEZEL	1.938"	1-15/16"	49.2 MM
3/4" & 1" ON/OFF VALVE W/STANDARD WALL FITTING	2.063"	2-1/16"	52.4 MM
3/4" & 1" ON/OFF VALVE W/LED WALL FITTING	2.250"	2-1/4"	57.2 MM
2" DIVERTER VALVE W/STANDARD WALL FITTING	3.188"	3-3/16"	81.0 MM
2" DIVERTER VALVE W/LED WALL FITTING	3.438"	3-7/16"	87.3 MM

SPA PRODUCT HOLE SIZE CHART

SPA SHELL RECOMMENDED HOLE SIZES

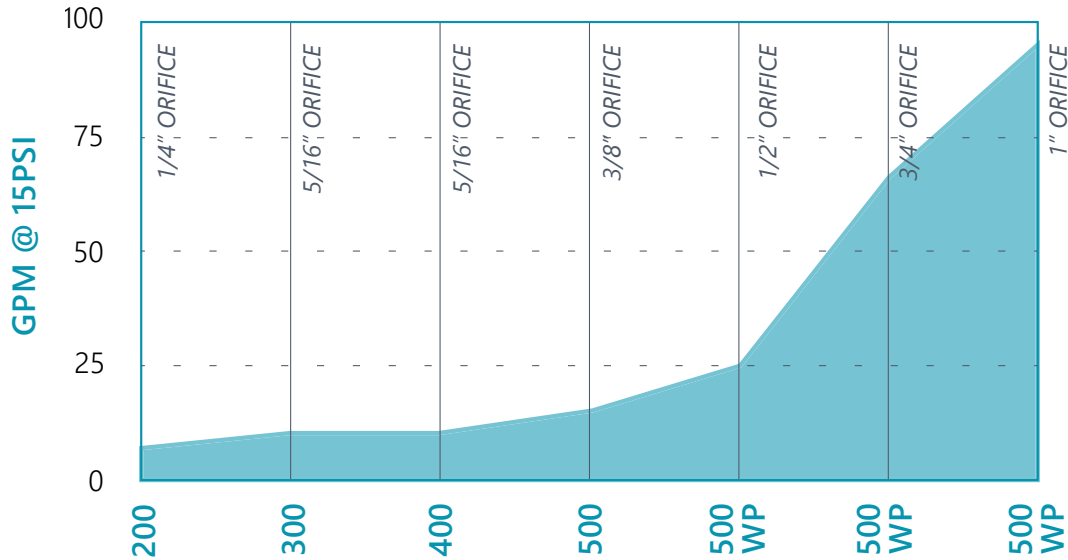
SPA PRODUCT DESCRIPTION	HOLE SAW SIZE		
	IMPERIAL (DEC)	IMPERIAL (FRAC)	METRIC
AQUA EFFECTS WATER FEATURES			
GRAB RAIL WATERFALL	1.000"	1"	25.4 MM
ARCHFALL WATERFALL	1.688" (1-11/16") + 0.563" (9/16")		
4" SCONCE WATERFALL	1.000"	1"	25.4 MM
CRYSTAL FALLS WATERFALL	1.063"	1-1/16"	27.0 MM
FAN/BUBBLER/STREAM POP-UP WATER FEATURES	1.688"	1-11/16"	42.9 MM
8" LOW PROFILE E-Z WATERFALL	1.688"	1-11/16"	42.9 MM
LED COLOR CRYSTAL BASE	2.313"	2-5/16"	58.7 MM
LIQUID AROMA INJECTOR BODY	1.625"	1-5/8"	41.3 MM
OPTIX SPA LIGHTING			
1/2" & 7/8" SMALL STEM LED LIGHT FITTINGS	0.413"	SIZE "Z"	10.5MM
1" & 7/8" LARGE STEM LED LIGHT FITTING	0.563"	9/16"	14.3 MM
OPTIX MINI OVAL LED LIGHT FITTINGS	0.563"	9/16"	14.3 MM
CABINET STEP LED LIGHT FITTING	0.375"	3/8"	9.5 MM
2" SPA LIGHT	1.625"	1-5/8"	41.3 MM
3" SPA LIGHT	2.500"	2-1/2"	63.5 MM
5" SPA LIGHT	3.75"	3-3/4"	95.3 MM
LED CUP HOLDER W/FLAT GASKET	2.625"	2-5/8"	66.7 MM
SPA PILLOW PIN RECEIVER CUPS	0.563"	9/16"	14.3 MM
SUCTIONS & DRAINS			
94 GPM SUCTION FITTING	2.313"	2-5/16"	58.7 MM
STRAIGHT FLOOR DRAIN FITTING	1.813"	1-13/16"	46.0 MM
LOW PROFILE 90 DEG. FLOOR DRAIN FITTING W/ "L" GASKET	1.375"	1-3/8"	34.9 MM
STANDARD SPA DRAIN VALVE	2.563"	2-9/16"	65.1 MM
ECONOMY SPA DRAIN VALVE	1.313"	1-5/16"	33.4 MM
CABINET FLUSH MOUNT SPA DRAIN VALVE	2.000"	2"	50.8 MM
170 GPM VGB SUCTION FITTING W/ FLAT GASKET	3.313"	3-5/16"	84.1 MM
170 GPM VGB SUCTION FITTING W/ L GASKET	3.500"	3-1/2"	88.9 MM
SKIMMERS & FILTERS			
TOP MOUNT SKIM FILTERS W/ FLAT GASKET	6.875"	6-7/8"	174.6 MM
TOP MOUNT PRESSURE FILTER W/ FLAT GASKET	6.875"	6-7/8"	174.6 MM
STRIP SKIMMER	2.313"	2-5/16"	58.7 MM
FRONT ACCESS FILTER - 2-PORT / 100SF	15-1/4"W × 8-1/2"H RECTANGULAR CUT-OUT		
MISCELLANEOUS			
OZONE RETURN WALL FITTING FOR 1" HOLE	1.000"	1"	25.4 MM
OZONE RETURN WALL FITTING	1.188"	1-3/16"	30.2 MM
TEMPERATURE SENSOR FITTING	0.875"	7/8"	22.2 MM
ALL SEASON CABINET VENT	3.5"	3-1/2"	88.9 MM

JET INSTALLATION REFERENCE

JET PERFORMANCE

JET INTERNAL	ORIFICE SIZE	PSI	GPM
200 SERIES TYPHOON OR PRO-LOC JET INTERNALS	1/4"	15	7
300 SERIES TYPHOON OR PRO-LOC JET INTERNALS	5/16"	15	10
400 SERIES TYPHOON OR PRO-LOC JET INTERNALS	5/16"	15	10
500 SERIES TYPHOON OR PRO-LOC JET INTERNALS	3/8"	15	15
500 SERIES TYPHOON OR PRO-LOC WHIRLPOOL JET	1/2"	15	25
500 SERIES TYPHOON OR PRO-LOC WHIRLPOOL JET	3/4"	15	65
500 SERIES TYPHOON OR PRO-LOC WHIRLPOOL JET	1"	15	95

JET PERFORMANCE GPM CHART



RECOMMENDED TORQUE VALUES FOR CMP THREADED JET BODIES

JET BODY	TPE/TPR MOLDED GASKET		EPDM COMPRESSION GASKET		SILICONE ONLY - NO GASKET	
	FOOT LBS	INCH LBS	FOOT LBS	INCH LBS	FOOT LBS	INCH LBS
200 SERIES TYPHOON OR PRO-LOC JET BODY	5	60	4.2	50	4.2	50
300 SERIES TYPHOON OR PRO-LOC JET BODY	12	144	7.9	95	7.9	95
400 SERIES TYPHOON OR PRO-LOC JET BODY	16	192	9.2	110	9.2	110
500 SERIES TYPHOON OR PRO-LOC JET BODY	24	288	15.4	185	15.4	185
AIR X JET WALL FITTING	2.2	26	—	—	—	—
2" DIVERTER VALVE W/STANDARD WALL FITTING (NON-LED)	13.3	160	—	—	—	—
3/4" & 1" ON/OFF VALVE W/STANDARD WALL FITTING (NON-LED)	5	60	—	—	5.8	70
1" AIR CONTROL VALVE (NON-LED)	6.7	80	—	—	—	—
170 GPM SUCTION FITTING	25	300	25	300	25	300
170 GPM SUCTION FITTING W/L-GASKET	30	360	—	—	—	—
2" SPA LIGHT	2.5	30	—	—	—	—
3" SPA LIGHT	13.3	160	8	96	—	—
5" SPA LIGHT	25	300	—	—	—	—
SWIM-POWER TURBO JET	—	—	25	300	—	—
4" SCONCE WATERFALL	3	36	—	—	—	—
LED CUP HOLDER W/FLAT GASKET	8	96	—	—	—	—

SQR INSTALLATION & PRODUCT REFERENCE

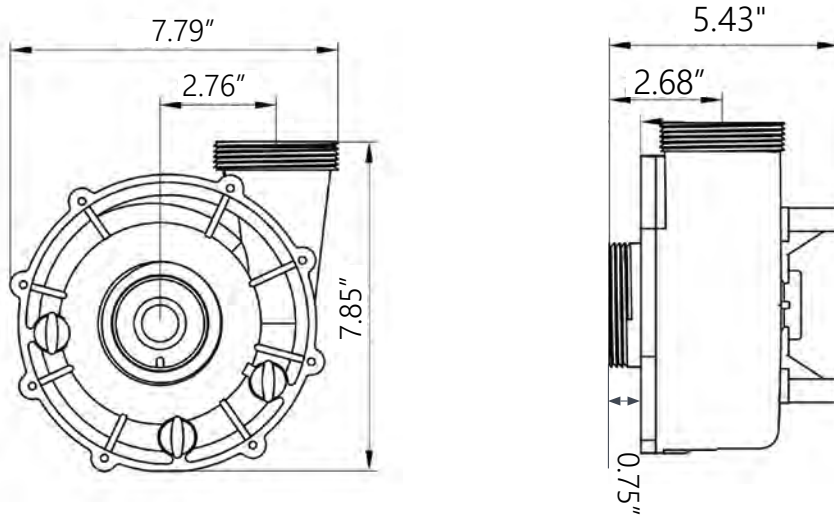
SQR PRODUCT SPA SHELL RECOMMENDED HOLE SIZES

SQR PRODUCT DESCRIPTION	HOLE SAW COLOR CODES	HOLE SAW SIZE			HOLE SIZE TOLERANCE	
		IMPERIAL (DEC)	IMPERIAL (FRAC)	METRIC	MIN	MAX
200 SERIES SQR PRO-LOC BODY	YELLOW	1.594"	1-19/32"	40.4 MM	1.563"	1.625"
200 SERIES SQR PRO-LOC BODY (G2)	WHITE	1.650"	—	41.9 MM	1.619"	1.681"
300 SERIES SQR PRO-LOC BODY	PURPLE	2.344"	2-11/32"	59.5 MM	2.313"	2.375"
400 SERIES SQR PRO-LOC BODY	BLUE	2.844"	2-27/32"	72.2 MM	2.813"	2.875"
500 SERIES SQR PRO-LOC BODY	RED	3.969"	3-31/32"	100.8 MM	3.938"	4.000"
SQR CLUSTER JET (G2)	WHITE	1.650"	—	41.91 MM	1.619"	1.681"
SQR LED SPA LAMINAR JETS (G2)	WHITE	1.650"	—	41.91 MM	1.619"	1.681"
SQR SUCTION FITTING	RED	3.969"	3-31/32"	100.8 MM	3.938"	4.000"
SQR FILTER BULKHEAD FITTING	—	—	—	—	—	—
SQR HEATER RETURN FITTING	PURPLE	2.344"	2-11/32"	59.54 MM	2.313"	2.375"
SQR OZONE RETURN FITTING	—	1.375"	—	34.93 MM	1.344"	1.406"
1" SQR AIR CONTROL VALVE	PURPLE	2.344"	2-11/32"	59.5 MM	2.313"	2.375"
3/4" & 1" SQR ON/OFF VALVE	DK GREEN	2.531"	2-17/32"	64.3 MM	2.500"	2.562"
2" SQR DIVERTER VALVE	BROWN	3.719"	3-23/32"	94.5 MM	3.688"	3.750"
SQR POP-UP WATER FEATURES	PURPLE	2.344"	2-11/32"	59.5 MM	2.313"	2.375"
SQR ECONOMY AIR INJECTOR	—	0.672"	43/64"	17.1 MM	0.641"	0.703"
1" SQR LED LIGHT FITTING	—	0.672"	43/64"	17.1 MM	0.641"	0.703"
2" SQR SPA LIGHT	—	1.984"	1-63/64"	50.4 MM	1.953"	2.015"
3" SQR SPA LIGHT	BLUE	2.844"	2-27/32"	72.2 MM	2.813"	2.875"
5" SQR SPA LIGHT	RED	3.969"	3-31/32"	100.8 MM	3.938"	4.000"
SQR LED CUP HOLDER	ORANGE	2.969"	2-31/32"	75.4 MM	2.938"	3.000"
TOP MOUNT SQR SKIM FILTERS	BLACK	7.234"	7-17/64"	183.7 MM	TBD	TBD

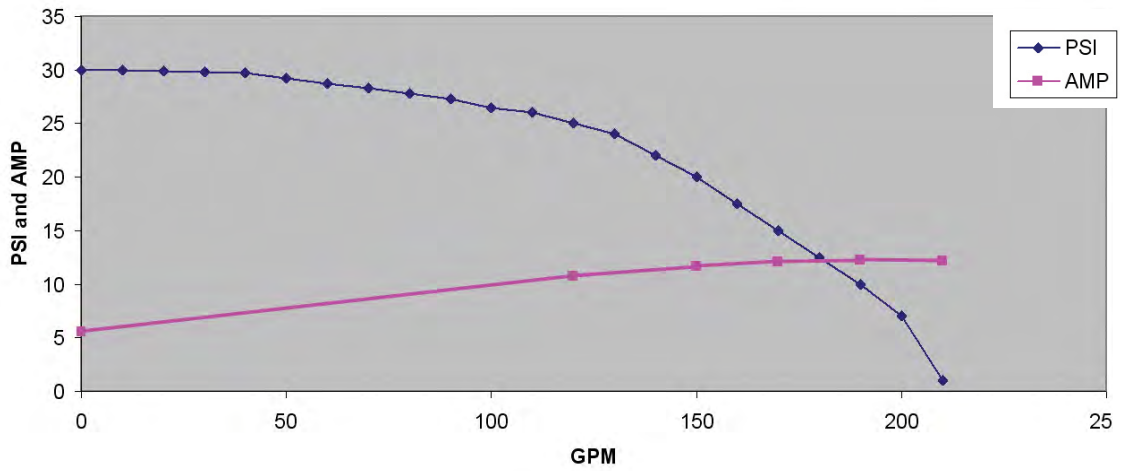
SQR GROMMET REFERENCE

CMP P/N	COMPATIBLE SQR PRODUCTS	COLOR
29222-299-042	200 SERIES SQR JET BODIES, SQR LAMINARS	GRAY
29222-299-442	200 SERIES SQR JET BODIES, SQR LAMINARS	BLACK
29232-299-040	300 SERIES SQR JET BODIES, SQR POP UP WATER FEATURES	GRAY
29232-299-440	300 SERIES SQR JET BODIES, SQR POP UP WATER FEATURES	BLACK
29242-299-040	400 SERIES SQR JET BODIES	GRAY
29242-299-440	400 SERIES SQR JET BODIES	BLACK
29252-299-040	500 SERIES SQR JET BODIES	GRAY
29252-299-440	500 SERIES SQR JET BODIES	BLACK
25136-000-020	SQR ON/OFF VALVE (LED)	TRANSLUCENT
25148-000-020	SQR 2" DIVERTER VALVE (LED)	TRANSLUCENT
25197-000-020	SQR 1" AIR CONTROL VALVE	TRANSLUCENT
23028-299-040	SQR LED SPOT FITTINGS, SQR AIR INJECTOR	GRAY
23028-294-040	SQR LED SPOT FITTINGS, SQR AIR INJECTOR	BLACK
23028-299-040	SQR LED SPOT FITTINGS, SQR AIR INJECTOR	GRAY
23028-294-040	SQR LED SPOT FITTINGS, SQR AIR INJECTOR	BLACK
29242-290-040	3" SQR SPA LIGHT	WHITE
29241-350-001	5" SQR SPA LIGHT	WHITE
25241-307-020	SQR DECO CUP HOLDER	GRAY
35453-907-020	SQR FILTER BODIES	GRAY
35453-900-020	SQR FILTER BODIES	GRAY
35453-904-020	SQR FILTER BODIES	BLACK

SPA PUMP WET END REFERENCE



3HP WET END PERFORMANCE



PART#	PG	PART#	PG	PART#	PG	PART#	PG
21000-254-380	154	21027-300-100	152	21081-060-020	155	21161-080-000	153
21000-380-000	154	21027-340-000	152	21082-000-000	153	21162-080-000	153
21000-750-000	154	21028-000-000	153	21083-000-000	153	21162-080-100	153
21000-751-250	154	21028-000-010	153	21084-000-000	153	21162-120-000	153
21000-754-375	154	21028-000-200	155	21085-100-000	152	21162-120-100	153
21001-107-000	158	21030-000-000	154	21087-120-000	152	21181-100-000	162
21001-204-000	158	21031-020-000	89	21090-000-000	150	21181-150-000	162
21001-304-000	20	21031-030-000	154	21090-100-000	155	21181-200-000	162
21002-000-000	155	21031-050-000	154	21092-050-000	157	21181-250-000	162
21003-000-000	157	21031-060-000	154	21095-000-000	156	21181-300-000	162
21003-100-000	157	21031-100-000	109	21096-000-000	156	21181-400-000	162
21004-000-000	156	21031-200-000	154	21105-000-000	156	21181-750-000	162
21004-150-000	156	21031-400-000	109	21106-000-000	156	21182-150-000	162
21005-000-000	156	21031-500-000	154	21110-020-000	150	21182-200-000	162
21006-000-000	156	21032-000-000	154	21110-040-000	150	21182-220-000	162
21007-000-000	156	21032-100-000	154	21110-060-000	150	21182-250-000	162
21008-000-000	156	21033-000-000	153	21111-040-000	150	21183-100-000	162
21009-000-000	156	21034-000-000	89	21111-060-000	150	21183-150-000	162
21010-000-000	156	21034-050-000	155	21112-040-000	150	21183-200-000	162
21010-200-000	156	21034-100-000	155	21113-100-000	150	21184-100-000	162
21011-000-000	156	21034-200-000	109	21116-060-000	150	21184-150-000	162
21012-000-000	156	21034-300-000	89	21120-020-100	150	21184-200-000	162
21013-000-000	156	21034-350-000	155	21120-040-000	150	21184-230-000	162
21013-200-000	156	21034-400-000	109	21121-040-000	150	21184-250-000	162
21014-000-000	156	21034-709-000	32	21121-060-000	150	21184-750-000	162
21015-000-000	156	21034-809-000	32	21123-040-000	150	21205-000-000	156
21016-000-000	156	21036-000-000	154	21123-080-000	150	21210-000-000	156
21017-000-000	156	21037-000-000	154	21125-050-000	150	22005-100-000	147
21018-000-000	156	21037-100-000	109	21127-020-000	150	22007-100-000	147
21018-100-000	156	21038-000-000	154	21127-040-000	150	22010-050-000	147
21020-000-000	156	21039-000-000	154	21130-020-100	151	22015-050-000	147
21021-000-000	157	21040-000-000	106	21130-220-100	152	22020-050-000	147
21022-000-000	155	21041-000-000	106	21130-320-100	152	22025-050-000	147
21022-200-000	134, 155	21046-000-000	157	21130-420-100	151	22143-500-000	147
21023-000-000	157	21047-000-000	157	21130-520-100	151	22144-650-000	147
21023-100-000	157	21048-000-000	157	21130-620-100	152	22145-400-000	114, 147
21023-250-000	157	21049-150-000	157	21131-100-010	150	22146-300-000	147
21024-000-100	151	21049-200-000	157	21133-040-000	151	22171-150-000	147
21024-100-100	151	21050-000-000	155	21133-080-000	151	22201-000-000	147
21024-120-100	152	21050-140-000	155	21134-140-000	152	22201-100-000	147
21025-000-001	152, 155	21050-750-100	154	21134-240-000	152	22210-000-000	147
21025-000-002	154	21051-000-000	155	21134-340-000	151	22305-075-000	147
21025-000-100	151	21051-100-000	155	21134-440-000	151	22306-000-000	147
21025-012-000	152	21052-000-000	153	21139-080-000	151	22435-022-700	71
21025-060-100	152	21060-000-000	150	21151-100-000	153	22435-022-999	71
21025-100-100	152	21061-050-000	155	21155-060-000	153	22435-027-000	70
21025-260-000	152	21061-100-000	155	21156-020-000	153	22435-032-700	71
21026-000-000	151	21061-140-000	155	21157-040-000	153	22435-032-999	71
21027-000-010	151, 155	21061-300-000	155	21158-020-000	153	22435-037-000	70
21027-000-100	151	21064-500-000	159	21159-040-000	153	22435-122-700	71
21027-040-100	152	21080-000-000	153	21159-050-000	153	22435-122-999	71
21027-100-100	151	21081-000-000	153	21160-000-100	155	22435-127-000	70
21027-120-100	152	21081-000-100	153	21160-140-000	153	22435-132-700	71
21027-200-100	151	21081-060-000	153	21161-060-000	153	22435-132-999	71

PART#	PG	PART#	PG	PART#	PG	PART#	PG
22435-137-000	70	23010-007-000	92	23411-610-000	91	23425-617-000	70
22436-022-700	75	23011-002-000	92	23412-000-000	91	23426-012-700	75
22436-022-999	75	23012-002-000	92	23412-100-000	91	23426-012-999	75
22436-027-000	74	23015-001-000	92	23412-200-000	91	23426-017-000	74
22436-032-700	75	23015-002-000	92	23412-300-000	91	23426-022-700	75
22436-032-999	75	23016-001-000	92	23422-000-000	80	23426-022-999	75
22436-037-000	74	23016-002-000	92	23422-000-010	66, 83	23426-027-000	74
22445-022-700	72	23017-002-000	92	23422-000-040	66	23426-042-700	75
22445-022-999	72	23017-007-000	92	23422-000-050	66	23426-042-999	75
22445-027-000	70	23020-002-000	92	23422-000-100	80	23426-047-000	74
22445-032-700	72	23021-002-000	92	23422-000-316	66	23426-612-700	75
22445-032-999	72	23022-002-000	92	23422-000-500	80	23426-612-999	75
22445-037-000	70	23025-002-000	92	23422-010-000	80	23426-617-000	74
22445-122-700	72	23026-002-000	92	23422-020-000	80	23432-000-000	80
22445-122-999	72	23027-002-000	92	23422-100-000	80	23432-000-010	66, 83
22445-127-000	70	23028-001-000	93	23422-100-300	80	23432-000-025	66
22445-132-700	72	23028-102-000	93	23422-100-390	80	23432-000-040	66
22445-132-999	72	23028-109-000	93	23422-102-000	79	23432-000-050	66
22445-137-000	70	23028-292-000	21	23422-102-900	79	23432-000-100	80
22446-022-700	75	23028-299-040	21, 24	23422-107-000	78	23432-000-300	80
22446-022-999	75	23029-001-000	93	23422-109-000	78	23432-000-500	80
22446-027-000	74	23030-001-000	93	23422-112-000	79	23432-010-000	80
22446-032-700	75	23045-000-100	115	23422-112-090	79	23432-020-000	80
22446-032-999	75	23045-000-110	115	23422-112-990	79	23432-100-000	80
22446-037-000	74	23045-000-120	115	23422-117-000	78	23432-100-300	80
22446-122-700	76	23045-000-130	115	23422-117-090	78	23432-100-390	80
22446-122-999	76	23045-000-140	115	23422-119-000	78	23432-142-000	79
22446-127-000	74	23045-000-200	115	23422-119-090	78	23432-142-900	79
22446-132-700	76	23045-000-300	115	23422-200-000	80	23432-147-000	78
22446-132-999	76	23045-000-400	115	23422-200-100	80	23432-149-000	78
22446-137-000	74	23045-000-500	115	23422-200-300	80	23432-200-000	80
22455-022-700	72	23045-000-600	115	23422-212-000	79	23432-200-100	80
22455-022-999	72	23045-000-700	115	23422-212-900	79	23432-200-300	80
22455-027-000	70	23045-000-800	115	23422-217-000	78	23432-212-000	79
22455-032-700	72	23045-000-900	115	23422-219-000	78	23432-212-900	79
22455-032-999	72	23045-007-000	114	23422-299-000	81	23432-217-000	78
22455-037-000	70	23045-007-100	114	23422-299-020	114	23432-219-000	78
22456-022-700	76	23045-009-030	114	23422-299-200	81	23432-299-000	81
22456-022-999	76	23300-200-010	158	23422-299-300	81	23432-299-200	81
22456-027-000	74	23312-001-000	94	23422-400-000	80	23432-299-300	81
22456-032-700	76	23400-009-000	138	23422-600-100	80	23432-322-000	79
22456-032-999	76	23400-017-100	138	23422-612-700	79	23432-322-900	79
22456-037-000	74	23400-109-000	138	23422-617-000	78	23432-327-000	78
23001-007-000	137	23400-224-000	21	23422-699-000	81	23432-329-000	78
23003-102-000	93, 114	23400-307-000	138	23422-999-999	66	23432-400-000	80
23003-109-000	93	23400-317-000	138	23425-017-000	70	23432-600-100	80
23003-207-000	93	23400-400-000	89	23425-022-700	71	23432-699-000	81
23004-107-000	93	23400-500-000	89	23425-022-999	71	23432-812-700	79
23004-109-000	93	23400-700-000	89	23425-027-000	70	23432-812-900	79
23006-000-000	138	23410-300-000	91	23425-042-700	71	23432-817-000	78
23006-100-000	138	23410-800-000	91	23425-047-000	70	23432-819-000	78
23006-300-000	138	23410-900-000	91	23425-047-999	71	23432-822-700	79
23008-009-000	138	23411-000-000	91	23425-612-700	71	23432-822-900	79
23010-001-000	92	23411-200-000	91	23425-612-999	71	23432-827-000	78

PART#	PG	PART#	PG	PART#	PG	PART#	PG
23432-829-000	78	23442-000-100	80	23442-439-000	78	23446-117-720	74
23432-832-000	79	23442-000-300	80	23442-600-100	80	23446-122-700	76
23432-832-900	79	23442-000-500	80	23442-699-000	81	23446-122-999	76
23432-837-000	78	23442-010-000	80	23442-999-999	66	23446-127-000	74
23432-839-000	78	23442-020-000	80	23445-012-700	72	23446-132-700	76
23432-842-700	79	23442-112-000	79	23445-012-720	72	23446-132-999	76
23432-842-900	79	23442-112-900	79	23445-012-929	72	23446-137-000	74
23432-847-000	78	23442-117-000	78	23445-012-999	72	23446-142-700	76
23432-849-000	78	23442-119-000	78	23445-017-000	70	23446-147-000	74
23432-999-999	66	23442-122-000	79	23445-017-720	70	23452-000-000	80
23435-012-700	71	23442-122-900	79	23445-022-700	72	23452-000-010	66, 83
23435-012-720	71	23442-127-000	78	23445-022-999	72	23452-000-040	66
23435-012-929	71	23442-129-000	78	23445-027-000	70	23452-000-050	66
23435-012-999	71	23442-200-000	80	23445-032-700	72	23452-000-100	80
23435-017-000	70	23442-200-100	80	23445-032-999	72	23452-000-300	80
23435-022-700	71	23442-200-300	80	23445-037-000	70	23452-000-500	80
23435-022-999	71	23442-212-000	79	23445-042-700	72	23452-010-000	80
23435-027-000	70	23442-212-900	79	23445-042-999	72	23452-020-000	80
23435-032-700	71	23442-217-000	78	23445-047-000	70	23452-112-000	79
23435-032-999	71	23442-219-000	78	23445-112-700	72	23452-112-900	79
23435-037-000	70	23442-222-000	79	23445-112-720	72	23452-117-000	78
23435-042-700	71	23442-222-900	79	23445-112-929	72	23452-119-000	78
23435-042-999	71	23442-227-000	78	23445-112-999	72	23452-142-000	79
23435-047-000	70	23442-229-000	78	23445-117-000	70	23452-147-000	78
23435-112-700	71	23442-299-000	81	23445-117-720	70	23452-200-000	80
23435-112-720	71	23442-299-200	81	23445-122-700	72	23452-200-300	80
23435-112-929	71	23442-299-300	81	23445-122-999	72	23452-212-000	79
23435-112-999	71	23442-312-000	79	23445-127-000	70	23452-212-900	79
23435-117-000	70	23442-312-900	79	23445-132-700	72	23452-217-000	78
23435-117-720	70	23442-317-000	78	23445-132-999	72	23452-219-000	78
23435-122-700	71	23442-319-000	78	23445-137-000	70	23452-222-000	79
23435-122-999	71	23442-322-000	79	23445-142-700	72	23452-222-900	79
23435-127-000	70	23442-322-900	79	23445-142-999	72	23452-227-000	78
23435-132-700	71	23442-327-000	78	23445-147-000	70	23452-229-000	78
23435-132-999	71	23442-329-000	78	23446-012-700	75	23452-299-000	81
23435-137-000	70	23442-332-000	79	23446-012-720	75	23452-299-200	81
23435-142-700	71	23442-332-900	79	23446-012-929	75	23452-299-300	81
23435-147-000	70	23442-337-000	78	23446-012-999	75	23452-312-000	79
23436-012-700	75	23442-339-000	78	23446-017-000	74	23452-312-900	79
23436-012-999	75	23442-400-000	80	23446-017-720	74	23452-317-000	78
23436-017-000	74	23442-402-000	79	23446-022-700	75	23452-319-000	78
23436-022-700	75	23442-407-000	78	23446-022-999	75	23452-400-000	80
23436-022-999	75	23442-409-000	78	23446-027-000	74	23452-600-100	80
23436-027-000	74	23442-412-000	79	23446-032-700	75	23452-699-000	81
23436-032-700	75	23442-412-900	79	23446-032-999	75	23452-712-000	79
23436-032-999	75	23442-417-000	78	23446-037-000	74	23452-712-900	79
23436-037-000	74	23442-419-000	78	23446-042-700	75	23452-719-000	78
23436-042-700	75	23442-422-000	79	23446-042-999	75	23452-742-900	79
23436-042-999	75	23442-422-900	79	23446-047-000	74	23452-749-900	78
23436-047-000	74	23442-427-000	78	23446-112-700	76	23452-812-000	79
23442-000-000	80	23442-429-000	78	23446-112-720	76	23452-812-900	79
23442-000-010	66, 83	23442-432-000	79	23446-112-929	76	23452-817-000	78
23442-000-040	66, 121	23442-432-900	79	23446-112-999	76	23452-819-000	78
23442-000-050	66	23442-437-000	78	23446-117-000	74	23452-999-999	66

PART#	PG	PART#	PG	PART#	PG	PART#	PG
23455-012-700	72	23500-007-000	90	23551-662-999	95	23853-112-700	79
23455-012-720	72	23500-121-000	88	23551-667-000	95	23853-112-775	79
23455-012-929	72	23501-000-030	91	23551-699-999	95	23853-112-900	79
23455-012-999	72	23501-001-000	90	23552-062-000	94	23853-112-975	79
23455-017-000	70	23501-001-090	91	23553-001-800	95	23853-117-000	78
23455-017-720	70	23501-002-000	90	23553-002-300	95	23853-117-075	78
23455-022-700	72	23501-100-000	90	23553-501-500	95	23853-119-900	78
23455-022-999	72	23501-102-000	90	23553-501-700	95	23853-119-975	78
23455-027-000	70	23501-202-400	90	23553-502-100	95	23853-312-700	73
23455-032-700	72	23501-202-700	90	23553-502-700	95	23853-312-750	73
23455-032-999	72	23501-204-000	90	23570-127-000	86	23853-312-775	73
23455-037-000	70	23501-207-000	90	23570-142-000	86	23853-312-950	73
23455-042-700	72	23501-209-000	90	23570-142-999	86	23853-312-975	73
23455-042-999	72	23501-302-400	90	23570-147-000	86	23853-312-999	73
23455-047-000	70	23501-302-700	90	23570-242-000	86	23853-317-000	73
23455-052-700	72	23501-304-000	90	23570-247-000	86	23853-317-050	73
23455-052-999	72	23501-307-000	90	23571-121-000	86	23853-317-075	73
23455-057-000	70	23501-309-000	90	23571-141-000	86	23853-412-700	77
23455-062-720	72	23503-072-000	88	23572-172-000	86	23853-412-750	77
23455-062-999	72	23503-107-000	88	23572-177-000	86	23853-412-775	77
23455-067-000	70	23504-200-020	89	23750-000-040	66, 83	23853-412-950	77
23455-072-700	72	23504-207-000	88	23850-000-100	81	23853-412-999	77
23455-072-999	72	23505-104-000	88	23850-000-300	81	23853-417-000	77
23455-077-000	70	23512-089-000	32	23850-000-500	65	23853-417-050	77
23456-012-700	76	23512-089-001	32	23850-000-750	65	23853-417-075	77
23456-012-720	76	23512-089-002	32	23850-001-000	81	24375-000-000	147
23456-012-929	76	23512-089-003	32	23850-100-000	81	24522-009-000	88
23456-012-999	76	23512-189-000	32	23850-100-100	81	25030-000-011	106
23456-017-000	74	23512-281-500	32	23850-100-200	81	25030-080-230	106
23456-017-720	74	23512-289-000	32	23850-100-300	81	25030-087-200	106
23456-022-700	76	23512-291-500	32	23850-110-000	81	25030-089-200	106
23456-022-999	76	23512-301-000	32	23850-112-075	79	25030-090-000	106
23456-027-000	74	23512-311-000	32	23850-112-700	79	25030-999-999	106
23456-032-999	76	23512-311-200	32	23850-112-900	79	25032-107-000	102
23456-037-000	74	23512-311-300	32	23850-117-000	78	25032-217-000	105
23456-042-700	76	23512-311-400	32	23850-119-900	78	25032-219-000	105
23456-042-999	76	23512-311-500	32	23850-312-700	73	25033-107-000	102
23456-047-000	74	23512-321-000	32	23850-312-750	73	25033-207-000	105
23456-052-700	76	23512-321-200	32	23850-312-950	73	25033-209-000	105
23456-052-999	76	23512-321-300	32	23850-312-975	73	25033-307-000	101
23456-057-000	74	23512-321-400	32	23850-312-999	73	25033-827-000	103
23456-062-700	76	23512-321-500	32	23850-317-000	73	25036-000-001	106
23456-062-999	76	23512-331-000	32	23850-317-050	73	25036-080-230	106
23456-067-000	74	23512-331-002	32	23850-317-075	73	25036-089-200	106
23456-072-700	76	23512-331-200	32	23850-412-700	77	25036-107-000	102
23456-072-999	76	23512-331-300	32	23850-412-750	77	25036-217-000	105
23456-077-000	74	23512-331-400	32	23850-412-775	77	25036-219-000	105
23470-000-000	87	23512-331-402	32	23850-412-950	77	25036-557-300	100
23470-100-000	87	23512-331-500	32	23850-412-975	77	25036-707-000	101
23470-200-000	87	23512-999-999	32	23850-412-999	77	25036-717-000	101
23470-299-000	87	23551-061-000	94	23850-417-000	77	25036-807-000	103
23470-300-000	87	23551-561-000	94	23850-417-050	77	25036-817-000	103
23476-062-000	86	23551-562-000	94	23850-417-075	77	25036-887-000	103
23500-002-700	90	23551-662-700	95	23851-000-000	81	25036-917-000	102

PART#	PG	PART#	PG	PART#	PG	PART#	PG
25039-001-000	104	25091-209-090	106	25201-207-100	136	25240-100-020	124
25039-009-000	104	25093-107-000	99, 100	25201-209-100	136	25240-200-000	24
25039-107-000	102	25093-117-000	102	25201-307-000	26	25241-000-000	123
25039-207-000	104	25094-119-030	106	25201-999-999	136	25241-000-050	124
25042-007-000	105	25094-119-050	106	25204-050-000	158	25241-000-100	123
25042-009-000	105	25095-020-000	106	25205-070-000	158	25241-000-160	124
25042-107-000	105	25096-407-000	104	25208-002-000	140	25241-000-200	124
25042-109-000	105	25096-409-000	104	25208-007-000	140	25241-000-300	124
25043-107-000	99, 102	25096-707-000	101	25208-102-000	140	25241-000-500	124
25048-000-011	106	25136-000-020	22	25208-107-000	140	25241-000-996	121
25048-000-020	106	25136-004-035	22	25208-207-000	140	25241-000-997	121
25048-007-000	104	25136-007-035	22	25208-222-000	140	25241-000-999	121
25048-017-000	104	25136-917-000	22	25209-002-000	140	25241-007-400	124
25048-019-000	104	25143-107-000	22	25209-007-000	140	25241-009-998	121
25048-707-000	101	25148-000-020	22	25211-004-000	142	25241-010-997	121
25048-807-000	103	25153-101-000	22	25211-004-100	142	25241-010-999	121
25048-887-000	103	25156-101-000	22	25211-004-200	142	25241-307-020	23
25048-999-999	106	25156-103-000	22	25212-004-000	142	25241-307-800	23
25053-101-000	98	25156-111-000	22	25212-104-000	141	25241-308-700	23
25056-101-000	98	25156-299-999	27	25212-114-000	142	25241-327-800	23
25056-111-000	98	25156-999-999	27	25213-004-000	142	25241-330-000	24
25056-302-000	99	25158-004-035	22	25229-004-000	144	25241-330-100	24
25058-101-000	98	25158-007-035	22	25230-001-000	144	25241-350-000	24
25058-300-000	99	25158-101-000	22	25230-007-000	144	25241-350-100	24
25059-101-000	98	25158-113-000	22	25230-009-000	144	25241-352-000	24
25059-210-000	32	25158-201-000	98	25232-000-000	158	25241-352-100	24
25059-212-000	32	25158-999-999	27	25232-004-200	158	25241-507-800	120
25059-213-000	32	25159-004-035	22	25232-200-000	158	25241-508-700	120
25059-214-000	32	25159-007-035	22	25232-200-020	158	25241-517-800	120
25059-215-000	32	25159-101-000	22	25232-719-208	158	25241-518-700	120
25060-000-000	159	25159-103-000	22	25233-107-000	134	25241-527-800	120
25062-000-000	159	25159-457-800	22	25234-000-000	122	25241-999-999	27
25062-159-000	159	25190-707-000	22	25234-000-200	122	25242-000-000	123
25062-160-000	159	25190-807-000	22	25234-009-000	122	25242-000-061	124
25062-209-000	159	25193-107-000	22	25234-009-200	122	25242-002-000	123
25063-000-000	159	25193-307-000	22	25234-100-000	122	25242-010-030	124
25065-000-000	159	25197-000-020	22	25234-100-100	122	25243-009-000	121
25066-375-000	114, 159	25200-000-250	136	25234-100-200	122	25243-304-000	119
25067-000-000	159	25200-000-450	136	25234-109-000	122	25243-307-000	119
25069-000-000	159	25200-001-450	136	25234-109-200	122	25243-404-000	119
25070-000-000	159	25200-040-010	136	25234-110-000	122	25243-407-000	119
25070-000-100	159	25200-060-000	136	25234-110-100	122	25243-600-000	119
25090-009-000	104	25200-102-000	26	25234-110-200	122	25245-007-000	134
25090-017-000	104	25200-202-000	136	25234-119-000	122	25245-107-000	134
25090-019-000	104	25200-202-010	136	25234-119-200	122	25245-999-999	134
25090-079-200	106	25201-007-000	136	25234-140-000	122	25248-001-000	133
25090-080-220	106	25201-034-000	136	25234-200-000	24	25248-004-000	133
25090-089-200	106	25201-037-000	136	25237-000-000	122	25248-007-700	133
25090-130-000	106	25201-039-000	136	25237-289-000	24	25249-800-000	135
25090-707-000	101	25201-104-000	26	25237-299-000	24	25249-901-000	133
25090-807-000	103	25201-107-100	26	25238-009-000	122	25249-907-000	133
25090-887-000	103	25201-107-250	26	25239-000-000	124	25252-117-000	133
25090-999-999	106	25201-107-450	26	25240-030-000	124	25252-800-000	135
25091-200-011	106	25201-204-100	136	25240-100-000	123	25252-800-200	135

PART#	PG	PART#	PG	PART#	PG	PART#	PG
25252-917-000	133	25267-628-400	109	25358-997-000	128	25800-151-130	161
25253-020-000	132	25267-628-700	109	25358-999-000	128	25800-201-130	161
25253-030-000	132	25268-004-000	144	25359-800-000	135	25800-210-000	161
25253-117-000	133	25268-108-020	111	25359-994-000	128	25800-251-000	161
25253-127-000	133	25269-001-500	110	25359-997-000	128	25800-251-130	161
25253-800-000	135	25269-007-000	112	25359-999-000	128	25800-310-000	161
25253-800-200	135	25269-009-000	112	25364-907-000	130	25800-310-130	161
25253-911-000	133	25269-102-700	110	25366-907-000	130	25800-410-000	161
25253-917-000	133	25269-107-000	110	25366-972-000	130	25800-410-130	161
25253-920-900	134	25269-202-700	110	25367-907-000	130	25800-751-000	161
25253-921-150	134	25269-207-000	110	25367-907-100	130	25800-751-130	161
25253-927-000	133	25269-302-700	110	25367-907-200	130	25802-151-000	161
25253-927-200	132	25269-307-000	110	25367-972-000	130	25802-151-080	161
25254-800-000	135	25269-404-000	23	25369-800-000	135	25802-210-000	161
25254-800-200	135	25269-602-700	110	25376-000-211	131	25802-651-000	161
25254-927-000	133	25269-802-400	23	25376-007-000	131	25802-651-080	161
25256-111-000	22	25269-802-700	23	25376-007-005	131	25850-000-100	160
25256-113-000	22	25270-004-000	146	25376-107-000	131	25850-150-000	160
25258-101-000	22	25271-004-000	113	25384-907-000	131	25850-200-000	160
25258-113-000	22	25271-007-000	113	25384-909-000	131	25850-250-000	160
25259-002-900	112	25272-079-000	121	25385-907-000	131	25851-150-000	160
25259-007-000	112	25273-007-000	113	25385-909-000	131	25851-200-000	160
25259-009-014	112	25274-002-900	112	25390-000-000	135	25851-250-000	160
25259-009-016	112	25274-007-000	112	25391-000-000	135	25852-150-000	160
25259-109-014	112	25274-109-016	112	25391-200-000	135	25852-200-000	160
25259-209-014	112	25290-000-020	116	25392-000-000	135	25852-250-000	160
25262-004-080	113	25290-000-050	116	25392-000-100	135	25853-150-000	160
25262-007-000	113	25290-009-010	116	25392-200-100	135	25853-200-000	160
25265-107-000	110	25300-001-000	90	25393-000-000	135	25853-250-000	160
25267-000-170	137, 154	25300-004-070	157	25393-200-000	135	25854-150-000	160
25267-000-960	110	25300-200-000	145	25395-001-000	134	25855-150-000	160
25267-029-014	109	25349-904-001	128	25396-007-000	134	25856-150-000	160
25267-104-000	111	25349-907-001	128	25397-007-000	134	25856-154-000	160
25267-107-000	111	25349-909-001	128	25398-000-000	134	25857-150-000	160
25267-300-030	109	25351-700-000	135	25398-010-000	156	25857-154-000	160
25267-324-400	109	25351-800-000	135	25523-500-010	158	25858-150-000	160
25267-324-800	109	25351-904-100	128	25550-050-000	158	25858-200-000	160
25267-327-700	109	25351-904-200	128	25594-189-100	94	25858-250-000	160
25267-327-710	23	25351-907-100	128	25700-104-000	146	26100-150-275	106, 131
25267-328-400	109	25351-907-200	128	25702-104-000	146	26100-300-220	134
25267-328-700	109	25351-909-100	128	25702-154-000	146	26100-358-270	106
25267-328-710	23	25351-909-200	128	25702-217-000	146	26100-425-265	114
25267-424-400	109	25351-994-000	128	25703-307-000	146	26100-495-350	157
25267-424-800	109	25351-997-000	128	25703-504-000	146	26100-530-462	161
25267-427-700	109	25351-999-000	128	25703-507-000	146	26100-615-265	106
25267-427-800	109	25353-904-100	128	25708-114-000	146	26100-651-462	161
25267-428-400	109	25353-907-100	128	25708-204-000	146	26101-125-265	137
25267-428-700	109	25353-909-100	128	25708-304-000	146	26101-500-530	131
25267-428-710	23	25353-994-000	128	25709-507-000	146	26101-600-265	137
25267-528-710	23	25353-997-000	128	25714-304-000	146	26200-201-745	126, 128
25267-624-400	109	25353-999-000	128	25755-001-000	146	26200-230-321	93
25267-624-800	109	25358-800-000	135	25800-101-130	161	26200-234-021	91
25267-627-700	109	25358-800-200	135	25800-110-000	161	26200-234-022	91
25267-627-800	109	25358-994-000	128	25800-151-000	161	26200-234-221	66, 83

PART#	PG	PART#	PG	PART#	PG	PART#	PG
26200-234-321	66	29145-017-000	52	29232-999-990	27	29420-011-100	43
26200-234-421	66	29146-012-700	59	29232-999-999	27	29420-011-600	42
26200-234-521	66	29146-017-000	58	29242-000-000	64	29420-021-100	43
26200-234-701	87	29146-112-700	60	29242-010-000	64	29420-021-600	42
26200-235-010	91	29152-142-000	63	29242-020-000	64	29420-041-100	43
26200-235-030	89	29152-147-000	62	29242-020-100	64	29420-041-600	42
26200-237-201	66	29155-012-700	54	29242-089-000	64	29420-611-200	42
26200-237-301	66	29155-017-000	52	29242-090-000	18	29430-011-600	42
26200-237-401	66	29156-012-720	60	29242-099-000	18	29430-021-100	43
26200-237-501	66	29156-017-000	58	29242-200-000	64	29430-021-600	42
26200-250-901	106	29210-090-000	19	29242-200-200	64	29430-031-100	43
26200-252-001	136	29210-099-000	19	29242-200-300	64	29430-031-600	42
26200-252-081	140	29210-289-000	85	29242-200-340	64	29430-041-100	43
26200-253-851	126, 131	29210-290-000	19	29242-289-000	64	29430-041-600	42
26200-786-300	124	29210-299-000	19	29242-289-200	64	29430-081-100	43
26205-704-130	106	29211-001-500	47	29242-289-300	64	29430-081-600	42
26205-714-130	106	29211-011-000	19, 85	29242-290-000	18	29430-091-100	43
26207-506-331	124	29211-011-100	19, 85	29242-299-000	18	29430-091-600	42
26210-307-935	136	29222-000-000	64	29242-299-040	18	29430-111-100	43
26210-886-040	136	29222-010-000	64	29242-999-999	27	29430-111-600	42
26211-809-530	124	29222-020-000	64	29250-000-100	65	29430-121-100	43
27051-009-000	134	29222-020-100	64	29250-000-300	65	29430-121-600	42
27203-000-900	137	29222-089-000	64	29250-001-000	65	29430-131-100	43
27203-000-990	137	29222-090-000	18	29250-090-000	18	29430-131-600	42
27203-200-000	137	29222-099-000	18	29250-100-000	65	29430-141-100	43
27203-200-300	137	29222-200-000	64	29250-100-100	65	29430-141-600	42
27203-300-000	137	29222-200-200	64	29250-100-200	65	29430-181-100	43
27203-300-010	137	29222-200-300	64	29250-100-300	65	29430-181-600	42
27203-300-020	137	29222-200-340	64	29250-110-000	65	29430-191-100	43
27203-300-050	137	29222-289-000	64	29250-117-000	62	29430-191-600	42
27203-300-070	137	29222-289-200	64	29250-190-000	18	29440-011-100	43
27203-300-300	137	29222-289-300	64	29250-317-000	55	29440-011-600	42
27240-004-000	137	29222-290-000	18	29250-417-000	61	29440-021-100	43
27241-004-000	137	29222-299-000	18	29252-000-000	64	29440-021-600	42
27244-122-000	145	29222-299-020	66, 83	29252-010-000	64	29440-031-100	43
27244-152-000	145	29222-299-040	23	29252-020-000	64	29440-031-600	42
27247-004-000	137	29222-299-440	19	29252-020-100	64	29440-041-100	43
27360-104-000	144	29222-999-990	27	29252-089-000	64	29440-041-600	42
28072-000-100	22	29232-000-000	64	29252-090-000	18	29440-081-100	43
29122-102-000	63	29232-010-000	64	29252-099-000	18	29440-081-600	42
29122-107-000	62	29232-020-000	64	29252-200-000	64	29440-091-100	43
29125-012-700	53	29232-020-100	64	29252-200-200	64	29440-091-600	42
29125-017-000	52	29232-089-000	64	29252-200-300	64	29440-111-100	43
29126-012-700	59	29232-090-000	18	29252-200-340	64	29440-111-600	42
29126-017-000	58	29232-099-000	18	29252-289-000	64	29440-121-100	43
29132-142-000	63	29232-200-000	64	29252-289-200	64	29440-121-600	42
29132-147-000	62	29232-200-200	64	29252-289-300	64	29440-131-100	43
29135-012-700	53	29232-200-300	64	29252-290-000	18	29440-131-600	42
29135-017-000	52	29232-200-340	64	29252-299-000	18	29440-141-100	43
29136-012-700	59	29232-289-000	64	29252-299-040	18	29440-141-600	42
29136-017-000	58	29232-289-200	64	29252-999-999	27	29440-181-100	43
29142-122-000	63	29232-289-300	64	29253-117-000	62	29440-181-600	42
29142-127-000	62	29232-290-000	18	29253-317-000	55	29440-191-100	43
29145-012-700	54	29232-299-040	18, 23	29253-412-700	61	29440-191-600	42

PART#	PG	PART#	PG	PART#	PG	PART#	PG
29450-011-100	43	29530-081-700	39	29540-131-700	39	29553-062-100	44
29450-011-600	42	29530-091-500	39	29540-141-500	39	29553-092-100	44
29450-011-620	42	29530-091-700	39	29540-141-700	39	29553-502-100	44
29450-021-100	43	29530-101-500	39	29540-181-500	40	29557-011-500	47
29450-021-600	42	29530-111-500	38	29540-181-700	40	29557-012-700	49
29450-031-100	43	29530-111-520	38	29540-191-500	40	29560-011-500	40
29450-031-600	42	29530-111-550	38	29540-191-700	40	29560-501-500	41
29450-041-100	43	29530-111-700	38	29543-012-100	44	29563-022-100	44
29450-041-600	42	29530-111-720	38	29543-042-100	44	29563-042-100	44
29450-051-100	43	29530-111-750	38	29543-092-100	44	29563-092-100	44
29450-051-600	42	29530-121-500	39	29543-112-100	44	29833-019-000	44
29450-061-100	43	29530-121-700	39	29543-142-100	44	35030-000-100	22
29450-061-600	42	29530-131-500	39	29543-192-100	44	35033-000-100	22
29450-081-100	43	29530-131-700	39	29547-011-500	47	35036-000-100	22
29450-081-600	42	29530-141-500	38	29547-012-700	49	35058-000-100	22
29450-091-100	43	29530-141-700	38	29550-011-500	40	35351-009-999	126
29450-091-600	42	29530-181-500	39	29550-011-520	40	35351-904-000	126
29512-717-000	62	29530-181-700	39	29550-011-550	40	35351-907-000	126
29520-011-500	38	29530-191-500	39	29550-011-700	40	35351-909-000	126
29520-011-700	20, 38	29530-191-700	39	29550-011-720	40	35353-904-000	126
29520-021-500	38	29533-012-100	44	29550-011-750	40	35353-907-000	126
29520-021-700	38	29533-042-100	44	29550-021-500	40	35353-909-000	126
29520-041-500	38	29533-092-100	44	29550-021-700	40	35451-904-000	25
29520-041-700	38	29533-112-100	44	29550-031-500	40	35451-907-000	25
29520-111-500	20, 38	29533-142-100	44	29550-031-700	40	35453-704-000	25
29520-121-500	38	29533-192-100	44	29550-041-500	40	35453-707-000	25
29520-141-500	38	29537-011-500	47	29550-041-700	40	35453-804-000	25
29520-311-500	38	29537-012-700	49	29550-051-500	40	35453-807-000	25
29520-312-000	20	29540-011-500	39	29550-051-700	40	35453-904-000	25
29520-312-700	55	29540-011-520	39	29550-061-500	40	35453-907-000	25
29520-321-500	38	29540-011-550	39	29550-061-700	40	35453-907-020	25
29520-322-400	20	29540-011-700	39	29550-071-500	40	35453-999-999	27
29520-611-500	20, 38	29540-011-720	39	29550-071-700	40	58306-009-000	145
29520-611-700	20, 38	29540-011-750	39	29550-081-500	40	58328-000-000	145
29523-012-100	44	29540-021-500	39	29550-081-700	40	58328-000-100	145
29523-022-100	44	29540-021-700	39	29550-091-500	40	58328-004-000	145
29523-042-100	44	29540-031-500	39	29550-091-700	40	58328-100-000	145
29523-112-700	63	29540-031-700	39	29550-101-500	40	58328-104-000	145
29523-312-700	55	29540-041-500	39	29550-501-500	41	61000-050-012	136
29527-011-500	47	29540-041-700	39	29550-501-550	41	61000-508-006	137
29527-012-700	49	29540-081-500	40	29550-501-575	41		
29530-011-500	38	29540-081-700	40	29550-501-700	41		
29530-011-520	39	29540-091-500	40	29550-501-750	41		
29530-011-550	38	29540-091-700	40	29550-501-775	41		
29530-011-700	38	29540-101-500	40	29550-511-500	41		
29530-011-720	39	29540-111-500	39	29550-511-550	41		
29530-011-750	38	29540-111-520	39	29550-511-575	41		
29530-021-500	39	29540-111-550	39	29550-511-700	41		
29530-021-700	39	29540-111-700	39	29550-511-750	41		
29530-031-500	39	29540-111-720	39	29550-511-775	41		
29530-031-700	39	29540-111-750	39	29553-012-100	44		
29530-041-500	38	29540-121-500	39	29553-022-100	44		
29530-041-700	38	29540-121-700	39	29553-042-100	44		
29530-081-500	39	29540-131-500	39	29553-052-100	44		

TERMS & CONDITIONS

- CONTACT** For written communication, including payment of invoices, please send to:
Custom Molded Products, LLC
36 Herring Road
Newnan, GA 30265
Phone: 770-632-7112 Fax: 770-632-7115
- ORDERING** Customers should place orders directly with Custom Molded Products at the phone or fax numbers presented above. To ensure prompt and proper shipment, please order by using complete part numbers and descriptions. All telephone orders must be followed up with a written confirmation purchase order.
Our catalog and price list contain box/bag quantities for most parts. Currently CMP does not apply a surcharge for broken carton orders. Please help us maintain this policy by ordering in full carton quantities.
Thank you for your cooperation!
- TERMS** Payment for products is C.O.D. Net terms may be established upon completion of a satisfactory credit check. Past due accounts will be C.O.D. Customers with unpaid balances will be considered delinquent and will be subject to a service charge of 1-1/2% per month on the past due amount.
- FREIGHT** Pricing and terms are FOB–Newnan, Georgia unless otherwise specified. Freight charges are Pre-Pay and Add unless otherwise specified. All claims for lost or damaged freight must be made by the purchaser and directly to the freight carrier within the carrier’s established time limit.
- INVOICES** Please pay by invoice per the terms on the sales invoice. There will be a \$20.00 minimum service charge on all NSF or returned checks.
- BILLING ERRORS** Appropriate debits or credits will be applied to accounts or invoices that are in error. Please contact Custom Molded Products if you have questions regarding your invoice or if you think your account is in error.
- RETURNED GOODS** Merchandise will not be accepted for return without a Returned Materials Authorization (RMA) number issued by Custom Molded Products, which should be marked on all returned cartons. Returned shipments not having prior authorization will be refused. All returned merchandise must be new and unused with the exception of defective goods. A 25% restocking charge will be applied against any credit issued for salable merchandise. All goods must be returned freight pre-paid within 30 days after receipt of shipment.
- NOTICE** Custom Molded Products reserves the right to change at any time and without notice colors, materials, specifications, part numbers and prices to any products appearing in this publication.

CMP LIMITED WARRANTY

Custom Molded Products, LLC takes great pride in the quality products that it manufactures. The company maintains high standards for the materials and workmanship that it invests in its products. Accordingly, Custom Molded Products makes this express Limited Warranty with respect to products manufactured solely by Custom Molded Products, LLC, as follows:

Custom Molded Products warrants its products to be free of defects in material and workmanship for a period of two (2) years from the date of original purchase of the Custom Molded Products product. This Limited Warranty will be applicable only if the product manufactured by Custom Molded Products is the sole and exclusive cause of a defect which is covered by this Limited Warranty. Your sole and exclusive remedy against Custom Molded Products, LLC, arising from the purchase or use of a product manufactured by Custom Molded Products, LLC is limited to the repair or supply of a replacement product in substitution of the product which is determined to be defective (after examination, verification and approval by Custom Molded Products, LLC) with a product of equivalent quality. All other compensation of whatever nature is hereby expressly excluded. This Limited Warranty begins on the date of first purchase of a product from Custom Molded Products, LLC

The Limited Warranty is extended to the party making the original purchase of products from Custom Molded Products, LLC and no warranty is made nor authorized to be made assignable on resale by the original purchaser of products from Custom Molded Products, LLC The repair or replacement product issued by Custom Molded Products, LLC pursuant to this Limited Warranty shall be warranted for only the unexpired portion of the original Limited Warranty.

This Limited Warranty does not apply to component parts manufactured by others or for damage to products manufactured by Custom Molded Products, LLC if such damage is caused by component parts manufactured by others. For component products manufactured by others the warranty established by that respective manufacturer, if any, will be applicable.

CMP LIMITED WARRANTY DOES NOT COVER:

- Costs incurred in the shipment or cartage, removal and/or re-installation (including but not limited to labor costs) with respect to the replacement product made available by Custom Molded Products, LLC pursuant to this Limited Warranty.
- Damage or improper operation of a product governed by this Limited Warranty to the extent same is caused by customer abuse, misuse, negligence, or failure to follow installation or operation instructions.
- Use for which the product is not designed.
- Fire, explosion, weather conditions or natural disasters.
- Faulty or improper installation.
- Ordinary wear and tear.
- Damage caused by negligent or improper maintenance procedures and other causes not specified, by beyond the control of Custom Molded Products, LLC
- Improper packaging, repackaging or damage incurred in shipping.

In order for this Limited Warranty to be effective you must:

- Be the original purchaser of the product from Custom Molded Products, LLC
- Have not structurally modified, misused or misapplied the product manufactured by Custom Molded Products
- Have maintained the Custom Molded Products product in accordance with the instructions from Custom Molded Products, LLC or as described in maintenance materials provided by Custom Molded Products, LLC to you
- Have complied with all terms for the payment of the Custom Molded Products product
- Made your claim in writing to Custom Molded Products within the time provided and in accordance with the terms of this Limited Warranty.

CMP LIMITED WARRANTY

THERE ARE NO WARRANTIES APPLICABLE TO PRODUCTS MANUFACTURED BY CUSTOM MOLDED PRODUCTS EXCEPT AS EXPRESSLY STATED HEREIN AND THIS WARRANTY IS IN SUBSTITUTION FOR AND IN LIEU OF ALL OTHER WARRANTIES, WHETHER EXPRESSED OR IMPLIED, INCLUDING WITHOUT LIMITATION, ANY WARRANTIES OF MERCHANTABILITY OR FITNESS FOR A PARTICULAR PURPOSE.

UNDER NO CIRCUMSTANCES SHALL CUSTOM MOLDED PRODUCTS BE LIABLE FOR ANY LOSS OR ANY DIRECT, INDIRECT, INCIDENTAL, SPECIAL OR CONSEQUENTIAL DAMAGE OR COSTS. CUSTOM MOLDED PRODUCTS SHALL NOT BE LIABLE FOR ANY LOSS OF USE, INCOME OR PROFIT, DAMAGE TO OTHER PROPERTY, ATTORNEY'S FEES OR THIRD PERSON CLAIMS NOT WITHSTANDING A PRIOR NOTICE TO THAT EFFECT FROM THE BUYER OR UNDER ANY OTHER CIRCUMSTANCES.

CUSTOM MOLDED PRODUCTS SHALL HAVE NO LIABILITY TO THE BUYER AND SHALL HAVE NO RESPONSIBILITY FOR THE COSTS OF LABOR, TRANSPORTATION OR OTHER COST INCURRED IN THE REMOVAL AND/OR INSTALLATION OF PRODUCTS MANUFACTURED BY CUSTOM MOLDED PRODUCTS COVERED BY THIS WARRANTY.

THE SOLE AND EXCLUSIVE REMEDY FOR CUSTOM MOLDED PRODUCTS' LIABILITY OF ANY KIND AND THE SOLE AND EXCLUSIVE REMEDY OF THE BUYER, WHETHER IN LAW OR IN EQUITY FOR A BREACH BY CUSTOM MOLDED PRODUCTS OF ANY AND ALL WARRANTIES SHALL BE LIMITED TO THE REPAIR OF, OR AT CUSTOM MOLDED PRODUCTS' OPTION, THE REPLACEMENT OF PRODUCTS MANUFACTURED BY CUSTOM MOLDED PRODUCTS WHICH ARE COVERED BY THIS WARRANTY.

This warranty is valid only in the United States of America.

TIME LIMIT ON COMMENCING LEGAL ACTION

It is agreed that you have 30 days from the accrual of a claim to inform CUSTOM MOLDED PRODUCTS, LLC by registered mail with acknowledgment of receipt. It is agreed that you have one year from the accrual of a claim to commence any legal action arising from the purchase of a product manufactured by CUSTOM MOLDED PRODUCTS, LLC.

This Limited Warranty shall be governed by and construed in accordance with laws of the State of Georgia, except as to its principles of conflicts of laws, and CUSTOM MOLDED PRODUCTS, LLC and you irrevocably submit to the jurisdiction of the State of Georgia and the venue of Coweta County in any action brought by the parties hereto concerning this Limited Warranty or the performance by CUSTOM MOLDED PRODUCTS, LLC thereunder.

For communication related to replacement products or other issues respecting this Limited Warranty, please contact:

Custom Molded Products, LLC
36 Herring Road, Newnan, Georgia 30265
Phone: 770.632.7112 FAX: 770.632.7115



Custom Molded Products, LLC

announces that the quality management system of Custom Molded Products, Inc, a wholly-owned subsidiary of CMP, has been assessed and registered by Intertek as conforming to the requirements of:

ISO 9001:2015

The facility is thereby an ISO certified and Intertek registered company. This registration is subject to the company maintaining a Quality Management System to the above standard, which will be monitored by Intertek.

Please consult the website <http://www.cnca.gov.cn> for further information.



Certificate Number: 111511012
Date: 04 January 2017
Valid Until: 08 January 2019
EAC Code: 14

CHECK OUT THE BRAND NEW C-M-P.COM

WE DESIGNED THE NEW WEBSITE JUST FOR YOU

We've gone and taken our website to the next level. Our improved design isn't just a pretty facelift. Our goal is to continue building a website that you will love to use.

NEW FEATURE: USER ACCOUNTS

Create your FREE user account at www.c-m-p.com/register

SAVE IT FOR LATER

Just click the heart icon and you can save videos, brochures, product manuals and favorite products to your account. Find exactly what you need when you need it later.



ALL NEW, REDESIGNED, INTERACTIVE CONTENT

Every page has been enhanced with more product info, interactive images, technical info and infographics.



NEW FEATURE: RESOURCE CENTER

Find all CMP Videos, Articles, and Downloadable Resources all in one place
C-M-P.COM/RESOURCE-CENTER

EVEN MORE . . .

INTERACTIVE IMAGES
IMPROVED SEARCH
BETTER MOBILE EXPERIENCE

PRODUCT GUIDE GRID VIEW
DISTRIBUTOR LOCATOR
SEARCH FILTERS
MORE SUPPORT PAGES

SIMPLER ORGANIZATION
ALL NEW CAREERS PAGE
RECOMMENDED PRODUCTS

THE PREMIER SUPPLIER OF POOL, SPA & BATH COMPONENTS

Pool, Spa, and Bath industry professionals around the world all depend on CMP. If you are a spa designer, pool builder, bath manufacturer or retail store owner, you can depend on CMP products, service and support. Because when the difference is in the details, everything matters®.

CMP® everything matters.

www.c-m-p.com

1-800-733-9060

ORDERS: CS@c-m-p.com

PRODUCT INFO: SpaSales@c-m-p.com

36 HERRING ROAD, NEWNAN, GA 30265