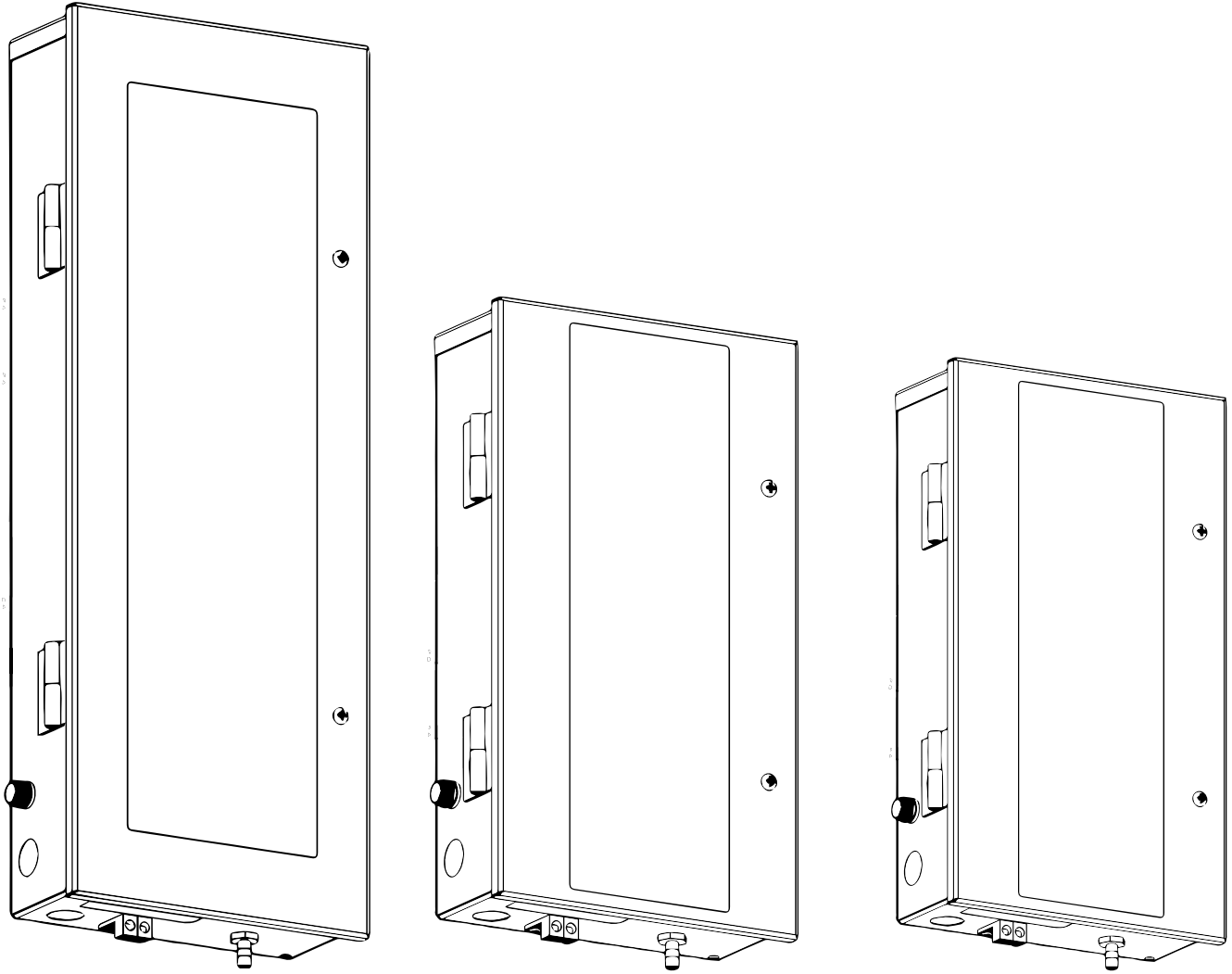




# DEL OZONE® 25/50/100

## OZONE UPGRADE SERVICE INSTRUCTIONS









DEL:OZONE®

C-M-P.COM/DEL

4-2836-01 Rev.A

# IMPORTANT WARNINGS & SAFETY INSTRUCTIONS

## READ AND FOLLOW ALL INSTRUCTIONS.

- Read this manual completely before attempting installation. Failure to install in accordance with the installation instructions could void warranty and result in injury or death.
- All permanent electrical connections should be made by a qualified electrician.
- A pressure wire connector, labeled “bonding lug”, is provided on the outside of the unit to permit connection to a minimum No. 6 AWG (13.3 mm<sup>2</sup>) solid bonding conductor between this point and any metal equipment, metal enclosures of electrical equipment, metal water pipes, or conduit within 5 feet (1.5 meters) of the unit as needed to comply with local requirements.
- If the DEL Ozone generator electrical connection is to be attached to the pool controls, be sure the pool controls are protected by a Ground Fault Circuit Interrupter (G.F.C.I.). If the DEL Ozone generator is connected to an independent electrical supply, then a G.F.C.I. must be installed between the DEL Ozone generator and the electrical supply.
- Install at least 5 feet (1.5 meters) from wall of pool using nonmetallic tubing. Tubing is supplied with the DEL Ozone generator. Never replace this tubing with metal tubing. Install ozone generator no less than one (1) foot above maximum water level to prevent water from contacting electrical equipment. Install in accordance with the installation instructions.
- Follow all applicable electrical codes.
-  **DANGER** **ELECTRIC SHOCK HAZARD:** Be sure to turn power OFF and disconnect from power source before any service work is performed. Failure to do so could result in serious injury or death.
- The DEL Ozone® must be installed in an outdoor location, or indoors in a forced air ventilated room, and installed so that the orientation is exactly as shown in following instructions. Install to provide water drainage of generator to protect electrical components.
- Mount the DEL Ozone® so that it is inaccessible to anyone in the pool. Never attempt any servicing while unit is wet.
-  **WARNING** Short-term inhalation of high concentrations of ozone and long term inhalation of low concentrations of ozone can cause serious harmful physiological effects. DO NOT inhale ozone gas produced by this device.
-  **DANGER** For your safety, do not store or use gasoline, chemicals or other flammable liquids or vapors near this or any other appliance.
-  **NOTICE** To maintain cosmetic integrity, protect this unit from direct prolonged sunlight exposure.
-  **WARNING** To reduce the risk of injury, do not permit children to use this product.
-  **WARNING** If unit is not operated according to instructions, high dosages of harmful substances may potentially be released.
- **ENVIRONMENTAL NOTICE** - Hg-Lamp CONTAINS MERCURY. Manage in accordance with disposal laws. See: [www.lamprecycle.org](http://www.lamprecycle.org)

**SAVE THESE INSTRUCTIONS!**

# TABLE OF CONTENTS

Preparation .....4

Disconnecting the Manifold .....4

Removing the Ozone Subassembly .....4

Installing the New Subassembly .....4

Reconnecting the Manifold .....4

System Start-Up .....4

Covered by one or more U.S. patents or pending patent applications. See [c-m-p.com/patents](http://c-m-p.com/patents) for details.

# INSTALLATION

**⚠ DANGER** Electric Shock Hazard. Be sure to turn power OFF and disconnect from power source before any work is performed. Failure to do so could result in serious injury or death.

## PREPARATION

Open the unit door and locate the bracket that mounts the ozone modules and power supplies – most of this subassembly will be replaced.

**NOTICE** The wire harness will be reused and does not need to be removed from the unit during service. Take care not to damage any wires or connectors during the process.

## DISCONNECTING THE MANIFOLD

Locate the ozone outlet barb. On the inside of unit, remove tubing clamp and disconnect the manifold tube from the ozone outlet barb.

**⚠ WARNING** Trace amounts of nitric acid may be present in the tubing. Wear proper safety equipment (gloves and eye protection) and avoid direct contact with any condensation in the line.

## REMOVING THE OZONE SUBASSEMBLY (Refer to Figure 1)

1. Disconnect all the ozone module power connectors.
2. Loosen the terminal block from the ozone bracket by removing the two mounting screws.
3. Loosen the line filter (ECE models only) from the bracket by removing the two mounting screws.
4. Remove the two mounting nuts of the ozone bracket and remove the bracket with ozone modules, power supplies and manifold.
5. Carefully remove zip-ties as necessary to free subassembly from unit.
6. The wire harness, terminal block and line filter (ECE models only) will remain in the unit.

## INSTALLING THE NEW SUBASSEMBLY (Refer to Figure 2)

1. Install the new bracket subassembly using the nuts previously removed.
2. Mount the line filter (ECE models only) to the new bracket using the screws previously removed
3. Mount the terminal block to the new bracket using the screws previously removed.

**NOTICE** For DEL Ozone 25 and 50, the terminal block requires 90° rotation to mount to the new bracket – the unit wire harness will allow it to reach but it may require adjustment and/or removal of zip-ties.

4. Connect the new ozone module power connector(s) to any of the available positions.

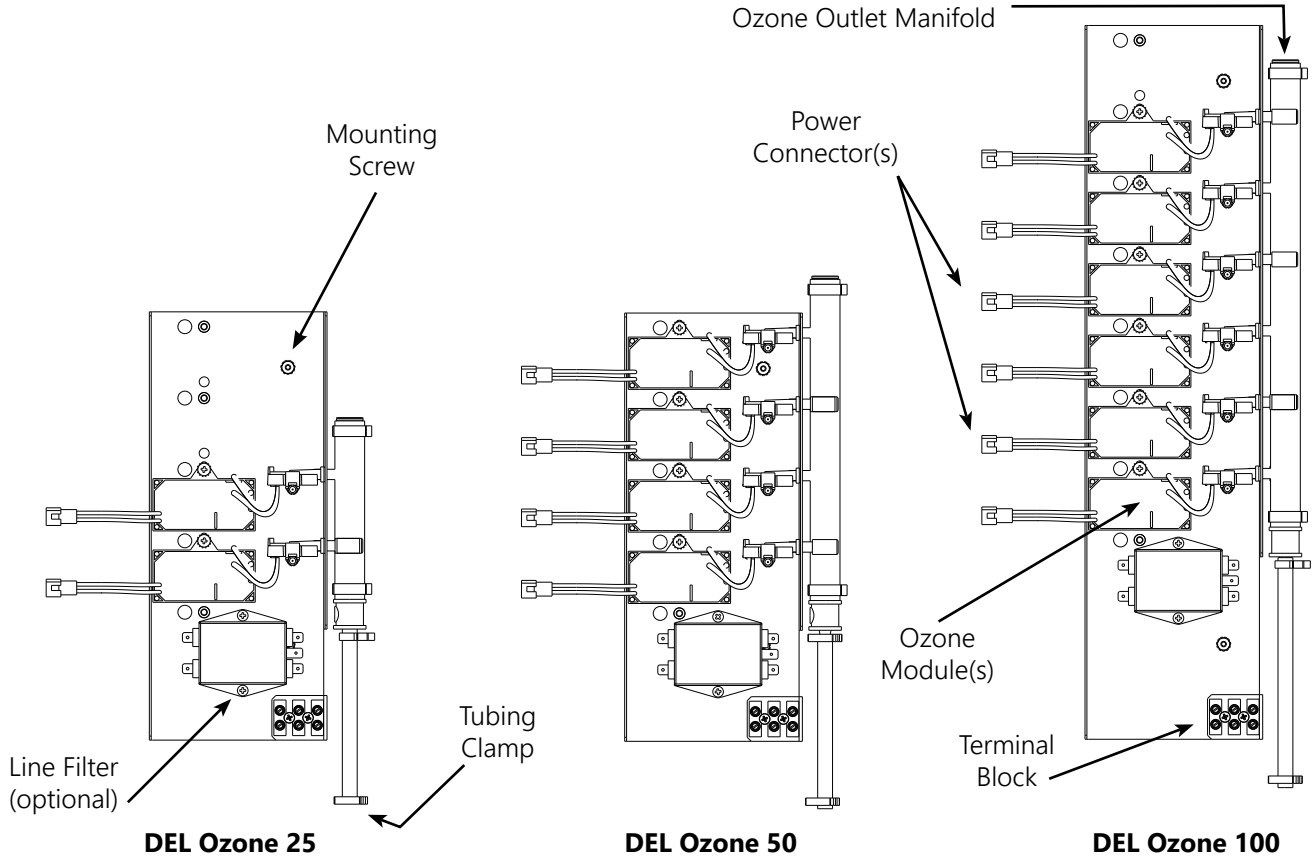
## RECONNECTING THE MANIFOLD

1. Ensure that the new manifold is connected to all ozone modules.
2. Install new tubing clamp over the new manifold tube, connect tube to the ozone outlet barb and secure with new tubing clamp.

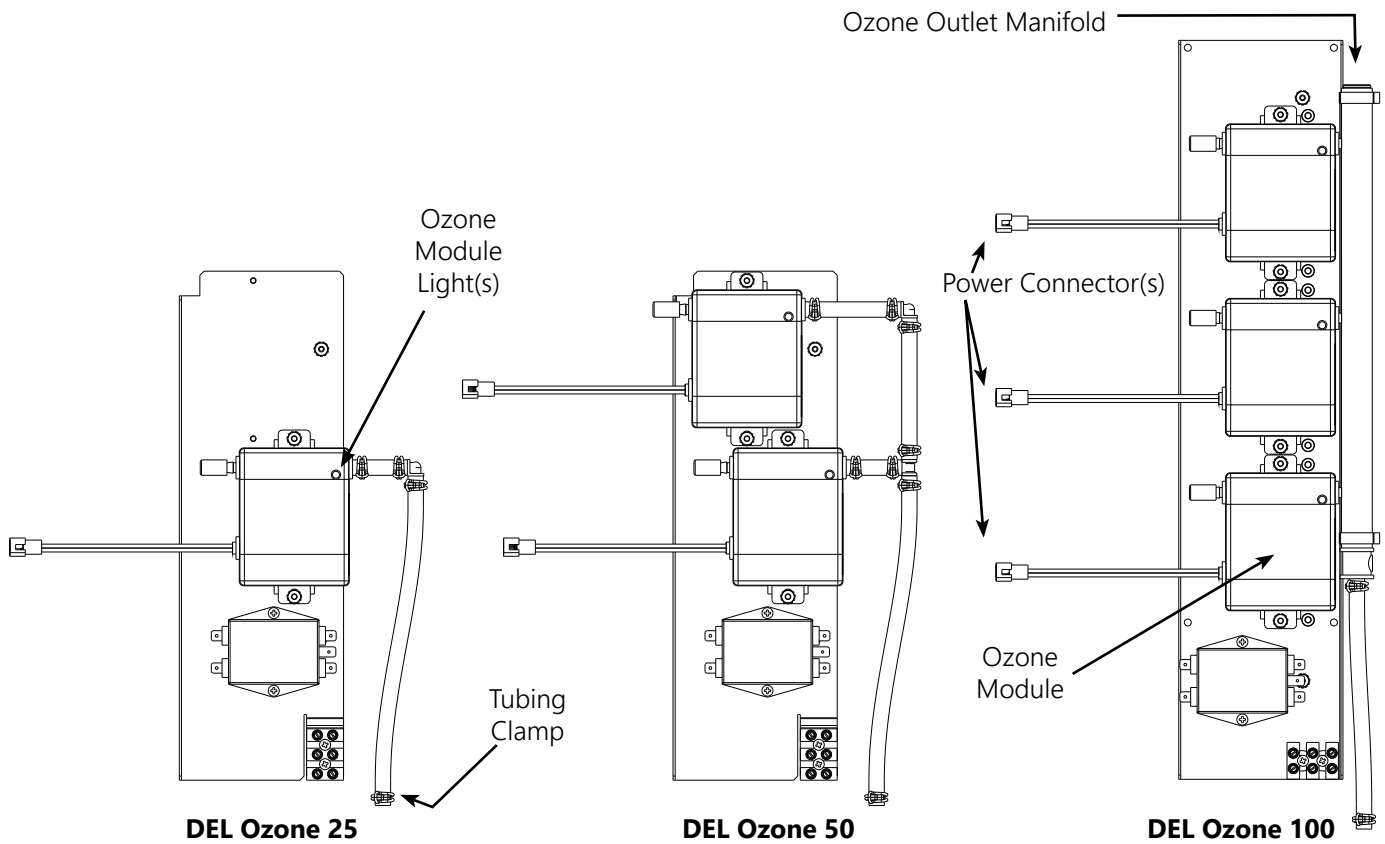
## SYSTEM STARTUP

Restore power to the unit and check proper operation, including that the ozone module light(s) are illuminated. Close unit door.

# INSTALLATION



**FIGURE 1: OZONE SUBASSEMBLY**



**FIGURE 2: NEW OZONE SUBASSEMBLY**

## SAVE THESE INSTRUCTIONS

**Record Information on this System Below & Keep for Your Records**

Installer \_\_\_\_\_

System Purchased From \_\_\_\_\_

Installation Date \_\_\_\_\_

Serial Number \_\_\_\_\_



CMP, LLC  
36 HERRING ROAD, NEWNAN, GA 30265  
[WWW.C-M-P.COM/DEL](http://WWW.C-M-P.COM/DEL)

0621AB