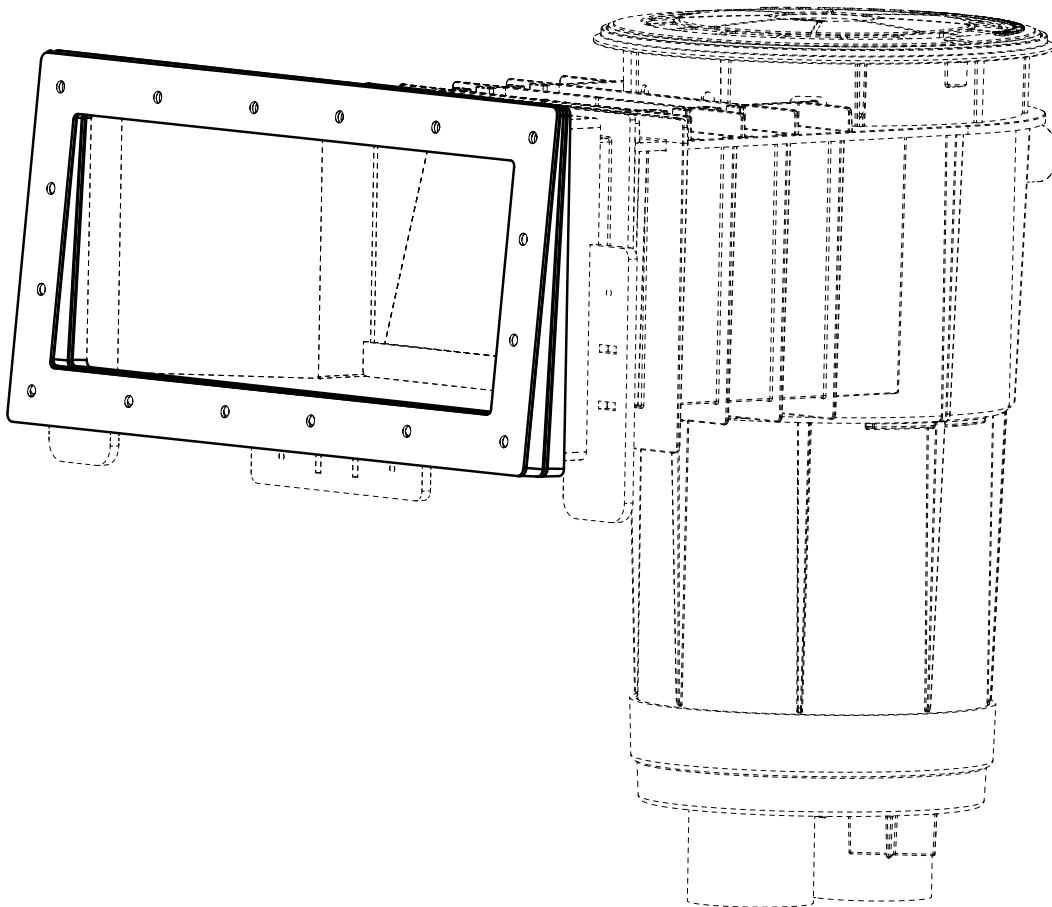




LEVELING SHIM FOR FIBERGLASS SKIMMER INSTALLATION INSTRUCTIONS







25160-000-007



C-M-P.COM

4-2850-01 RevA

IMPORTANT SAFETY INSTRUCTIONS. READ AND FOLLOW ALL INSTRUCTIONS

-  **CAUTION** Follow all applicable local and national regulations (e.g. NEC, CEC whichever is applicable) during installation of the skimmer.
-  **DANGER** Plug equalizer line with plug using NSF listed PVC cement.
-  **DANGER** Do not stick hand into the skimmer pipe below the basket while the pump is running.
-  **DANGER** Risk of hair or body entrapment, drowning or disembowelment. Equalizer fittings can trap hair or body parts causing severe injury or death.
-  **WARNING** Follow all necessary precautions when connecting a vacuum pump and cleaning the skimmer. Avoid using a cracked or damaged skimmer. Do not step on cracked skimmer plate. Max weight 300 lbs.
-  **WARNING** Provide more than one suction source in pool system at all times.

INSTALLATION

IMPORTANT PRODUCT INFORMATION

- Shim 25160-000-007 is used to level the skimmer body when attaching to a fiberglass pool with a drafted side. Each shim will compensate for 3° of draft.
- #12 flat head stainless steel sheet metal screws in various lengths are required for installation (not included). The shim has a tapered shape: 3/16" at the thinner end and 1/2" thick on the thicker end. The mounting screw length for each hole will vary depending on the number of shims used and the vertical location of the hole.

INSTALL STEPS

1. Follow instructions in skimmer installation manual to prepare pool and skimmer for installation.
2. Align skimmer with pool wall at the mounting location. Use a leveling device to set the skimmer in the correct orientation. The skimmer may be placed on a mounting stand pipe to hold in place if needed.
3. Noting the difference in draft between the pool wall and the skimmer face, use shim(s) to compensate for the angle of the pool wall.
4. Multiple shims can be stacked to achieve the correct alignment. (FIGURE 1)

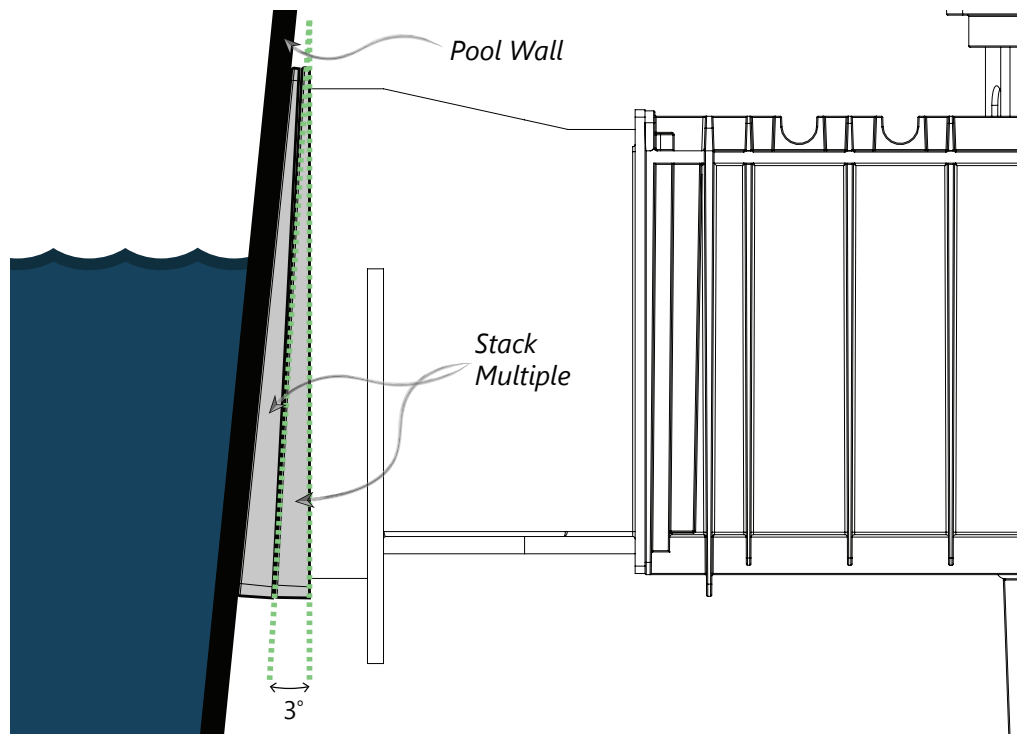


FIGURE 1 - SHIM ALIGNMENT

5. A flat gasket must be placed between the pool wall and the first shim, and between each individual shim. (FIGURE 2)
6. Starting with the top holes, check screw length at each location. If the screw extends 3/4" or less from the face plate, that is the correct screw.
7. Proceed to the next set of holes using the same procedure to determine the correct screw length until all screws are installed. (FIGURE 3)
8. Follow instructions in skimmer installation manual to complete skimmer installation.

INSTALLATION

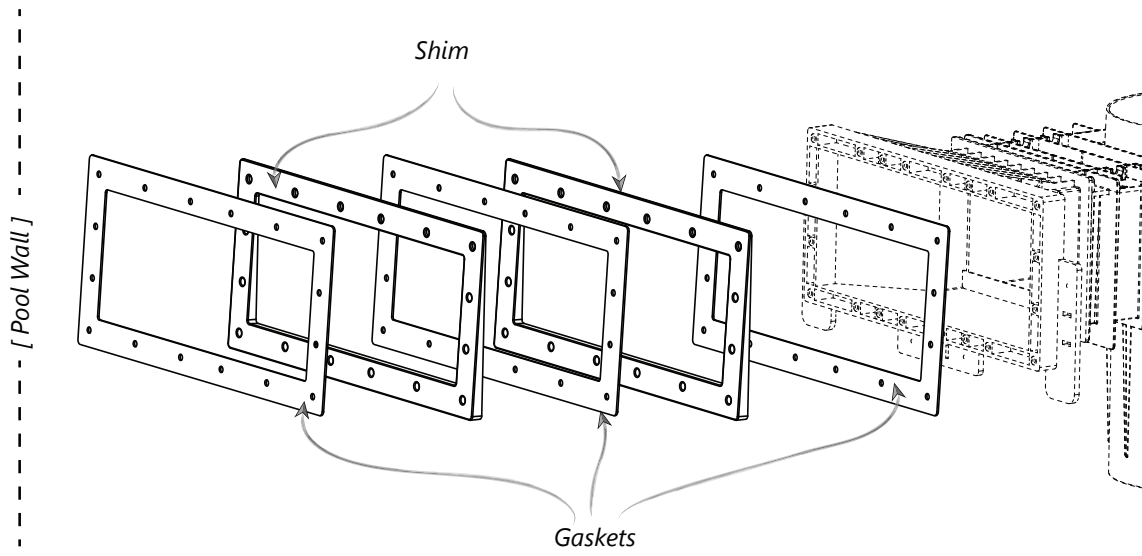


FIGURE 2 - GASKET LOCATIONS

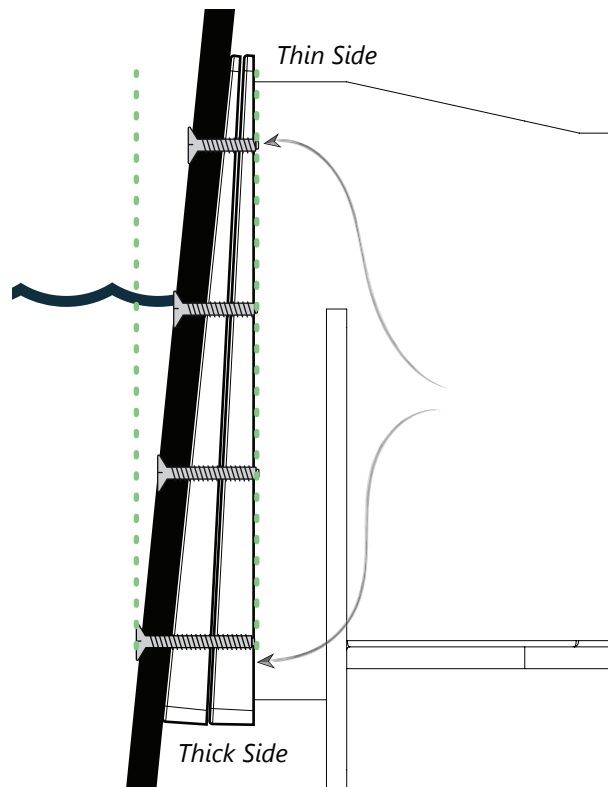


FIGURE 3 - SCREW LENGTHS

Record Information on this System Below & Keep for Your Records

Installer _____

Purchased From _____

Installation Date _____

Model Number _____

Pool Size in Gallons _____

CMP Customer Service & Tech Support

Toll Free: 1-800-733-9060

FAX: 770-732-7115

support@c-m-p.com

Warranty Questions

RMA@c-m-p.com

Support Resource & Videos Online

c-m-p.com/resourcecenter

CMP, LLC
36 HERRING ROAD, NEWNAN, GA 30265
WWW.C-M-PCOM

0721sb