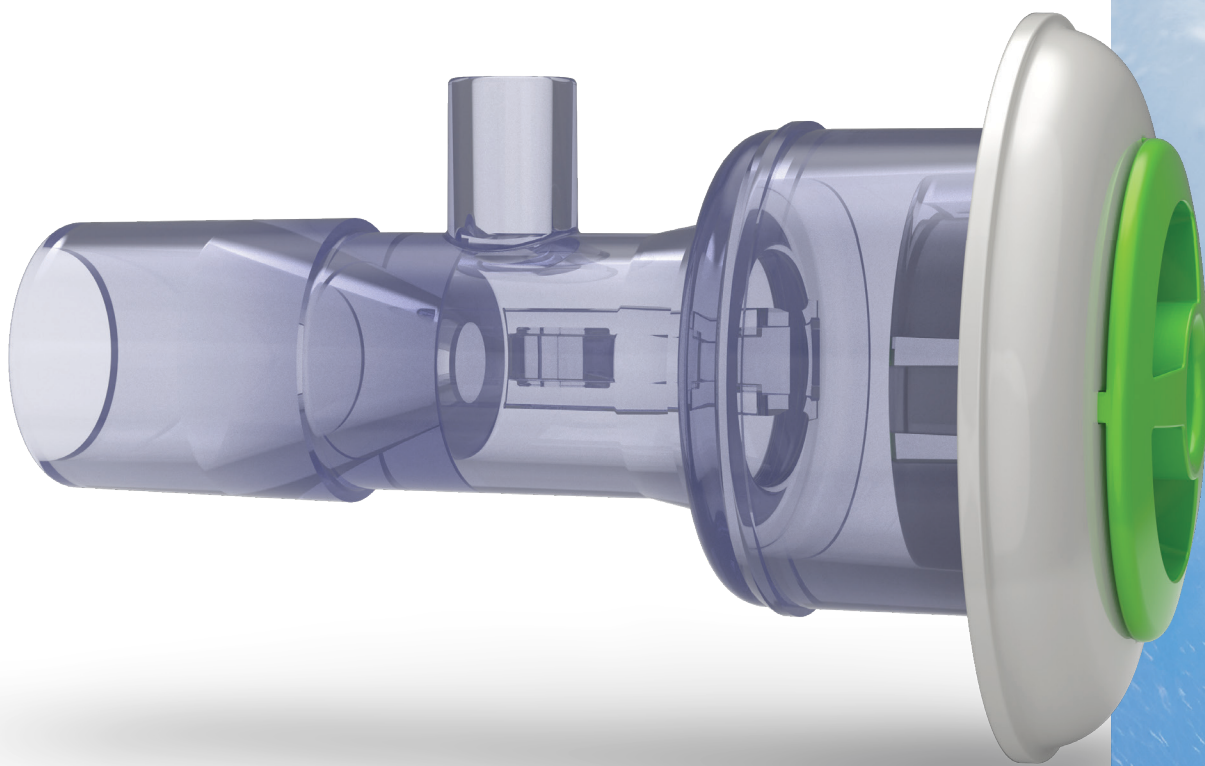


CMP

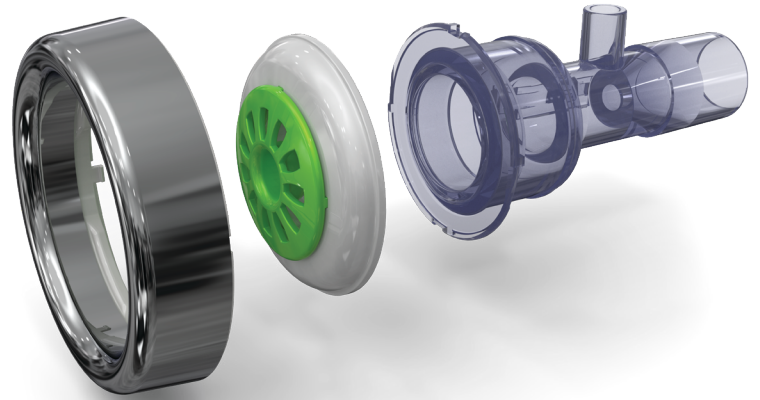
PRECISION SOFT
TISSUE MASSAGE



AIR : X

A SPA THERAPY SYSTEM THAT'S GENTLE YET POWERFUL – AND NOW EVEN EASIER TO INSTALL

With an improved design for fast, easy installation, proprietary Airnetics® technology enables the Air X® total spa therapy system to multiply air output for the ultimate soothing soft tissue massage. Innovative Air X jets feature three distinct flow profiles, unique color options, and interchangeable reflexology rings to create a wide range of therapy experiences designed to stand out from standard jets. Compatibility with both SQR and traditional installation methods make it easier than ever to enhance your spa with Air X.



FAST, EASY INSTALLATION

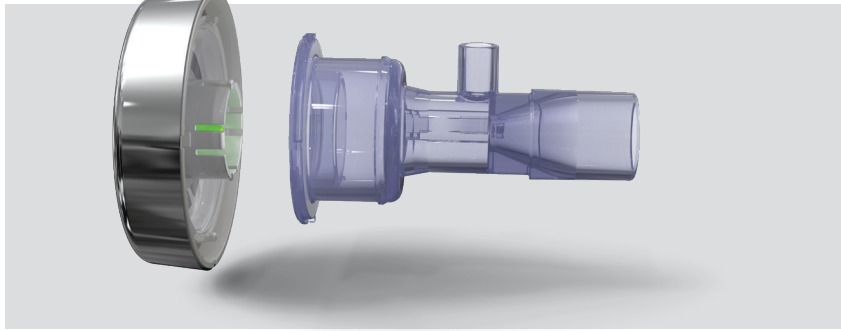
For ease of installation, Air X spa jets are now compatible with SQR and traditional installation methods

HARNESS THE POWER OF AIRNETICS

Airnetics technology dramatically enhances air flow to create a sensation that's soft and powerful

INNOVATIVE JET TECHNOLOGY

Inspired by jet engines, Air X jets use air multiplying technology to work without noisy blowers



ADDITIONAL FEATURES

- Three distinctive jet designs provide dramatically different flow patterns and work together for a synergetic therapy experience
- Three choices of tactile reflexology massage rings integrate with Air X jets for customizable relief to elevate the sensory experience in any hot tub
- Nozzles are available in custom colors to differentiate Air X from other spa jets

SPECIFICATIONS

Water Flow	5 - 7 GPM per jet
Water Inlet	1/2" Spigot (adapters available for 3/4" Barb)
Air Inlet	3/8" Smooth Barb
Jet Face Diameter	2 1/8"
Reflexology Ring Diameter	2 3/4"

Part Numbers

23512-089-100	2" Threaded Air X Jet Body Assembly; 1/2" Spg x 3/8" SB; Clear
23512-489-000	2" SQR Air X Jet Body Assembly; 1/2" Spg x 3/8" SB; Clear
23512-411-400	2" Air X Binetic Jet Internal; Pearl White/Green
23512-421-400	2" Air X Trinetic Jet Internal; Pearl White/Green
23512-431-400	2" Air X Polynetic Jet Internal; Pearl White/Green
23512-281-500	2" Air X Smooth Stainless Steel Therapy Ring

23512-291-500	2" Air X Scalloped Stainless Steel Therapy Ring
23512-481-500	2" Air X Low Profile Stainless Steel Therapy Ring
29222-299-042	2" SQR Jet Grommet, Gray
21034-709-000	90° Barb Adapter Only; 1/2" S x 3/4" SB
21034-809-000	90° Barb Adapter Only; 1/2" S x 3/4" RB

