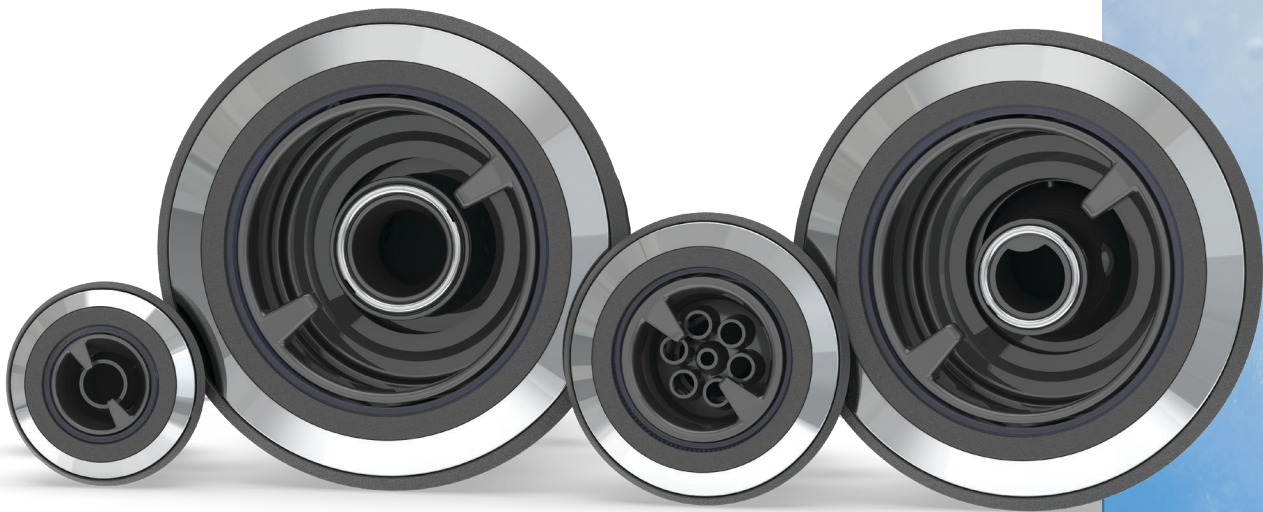




THE NEXT EVOLUTION OF SPA JETS



spectrum^z



UNPARALLELED AESTHETICS, CUSTOMIZABLE FEATURES, EASY INSTALLATION

The CMP Spectrum² Spa Jet System is designed as a sleek, low-profile solution that sets a new standard for modern spa aesthetics while providing simple installation and a wide range of design opportunities.

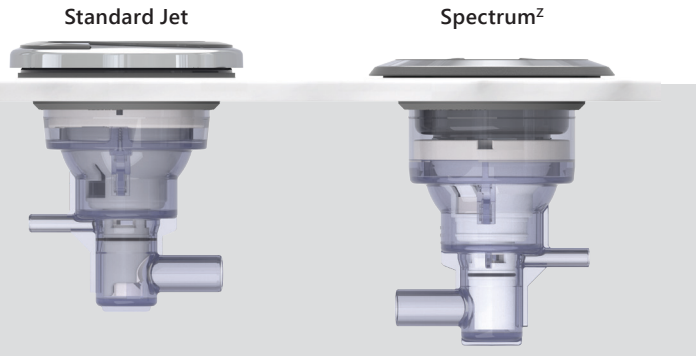


FLEXIBLE INSTALLATION

Quick, consistent installation for SQR or threaded bodies, with snap-on faceplates for design flexibility

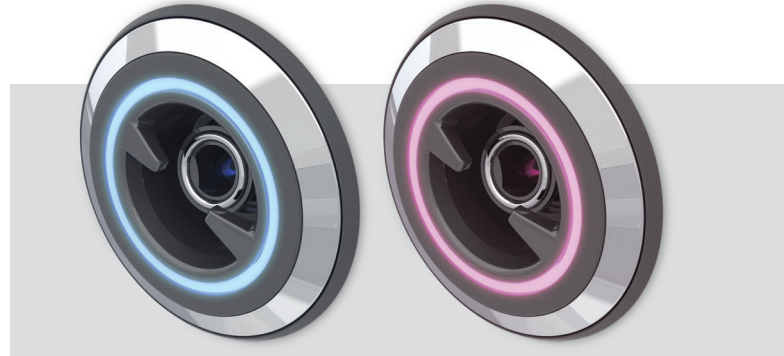
LOW PROFILE DESIGN

Spectrum² offers the lowest installed height for superior comfort and reduces or eliminates the need for spa shell recesses



DESIGN FREEDOM

Unlock custom aesthetics and exclusive light ring effects with snap-on faces and existing nozzle compatibility



ADDITIONAL FEATURES

- Standardized internals and separate cosmetic faces reduce SKUs and warehouse space, boosting efficiency
- Comes in four sizes with multiple nozzle types to suit diverse spa designs

SPECIFICATIONS

Dimensions	Available in 2", 3", 4", and 5" diameters
Installation	SQR or threaded jet bodies
Plumbing Configuration	3/4" Water x 3/8" Air Smooth or Ribbed Barb
Nozzle Compatibility	Compatible with the full range of existing CMP nozzle types
Internal Locking	Utilizes existing CMP Pro-Loc Technology for locking the jet internal into the jet body
LED Compatibility	Compatible with proprietary CMP LED clips for attaching standard spa LED systems
Profile Height	8.4mm (0.33") for 2", 3", and 4" jets, and 9.9mm (0.39") for 5" jets

For additional product lineup details and part numbers, contact your CMP Spa sales representative.

